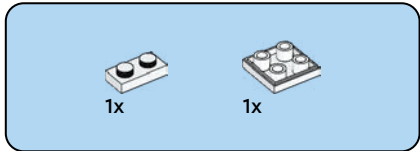
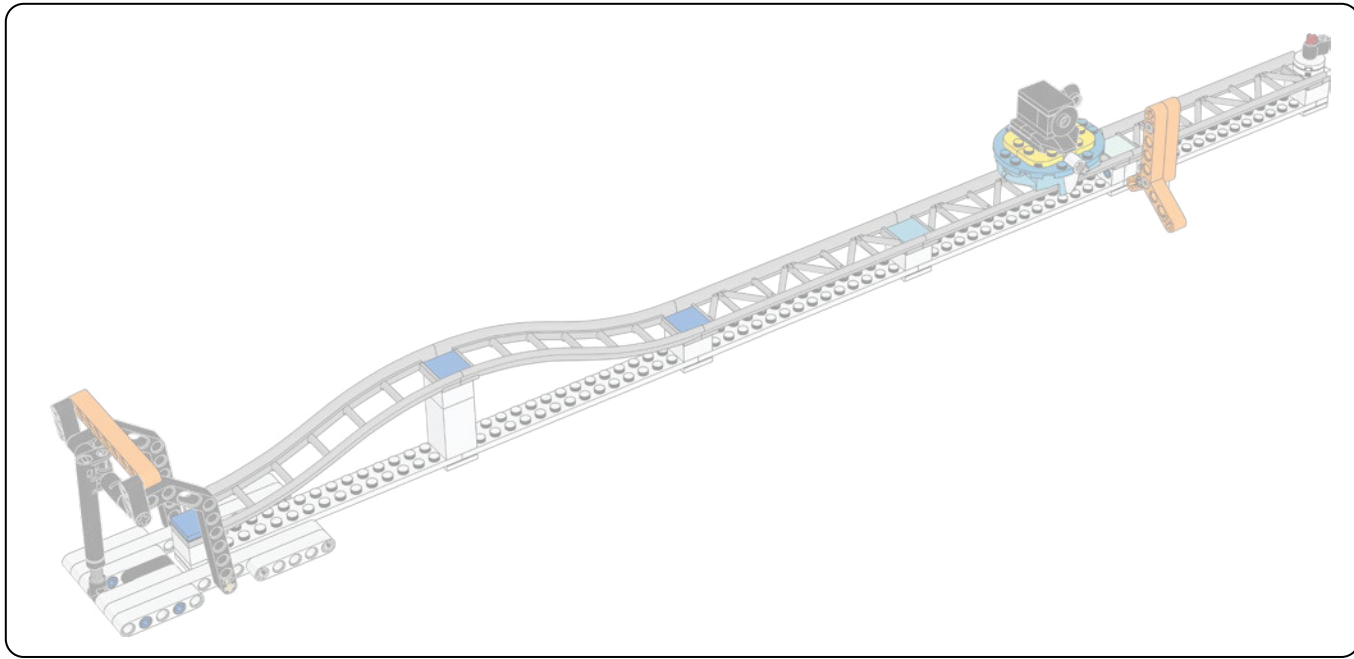
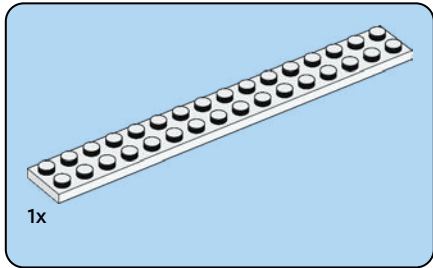
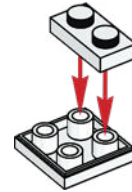


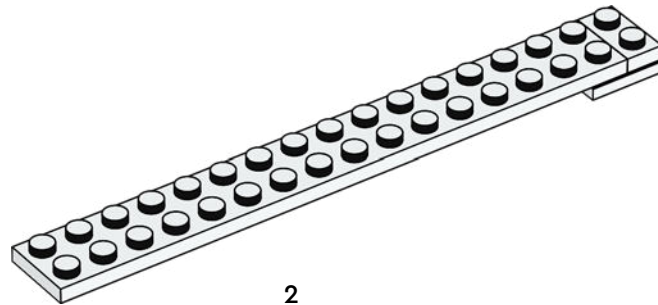
45823



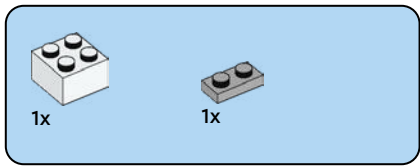
1



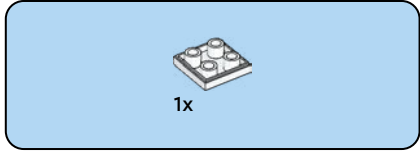
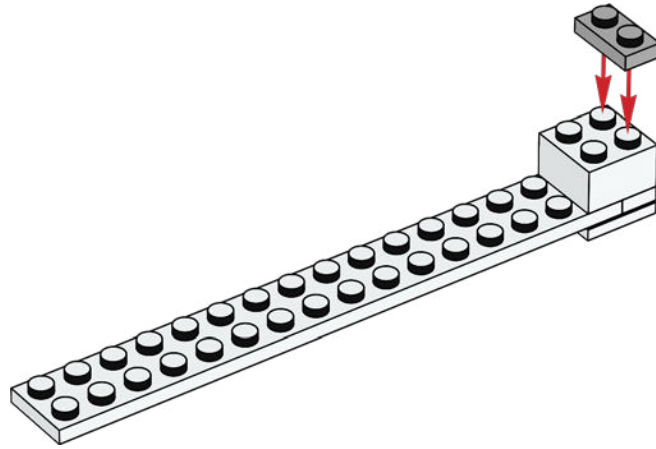
2



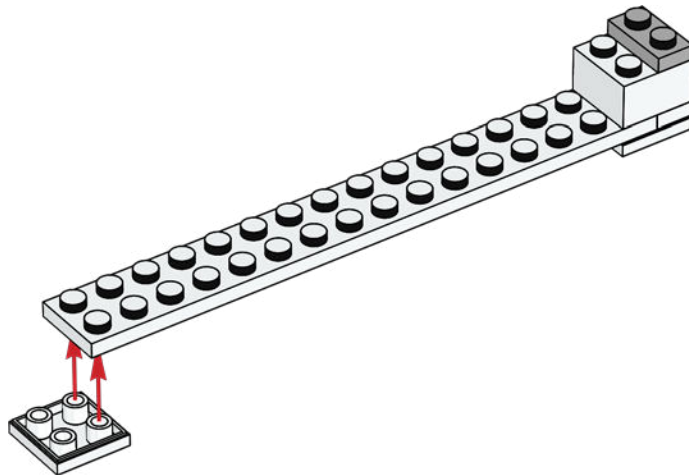
2

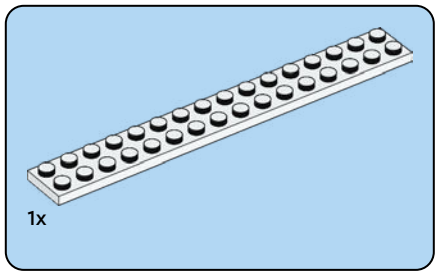


3

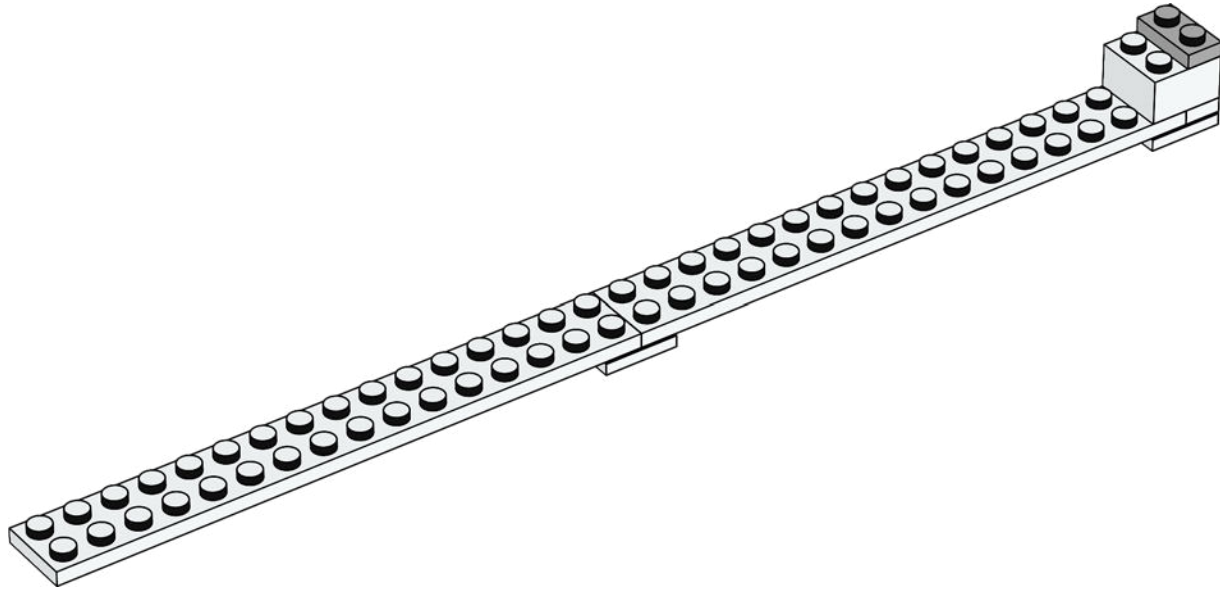


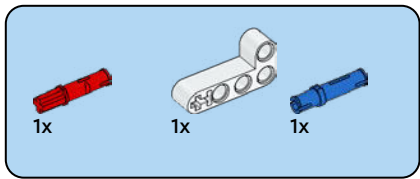
4



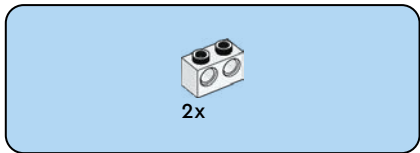
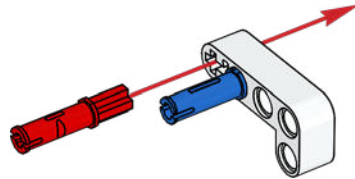


5

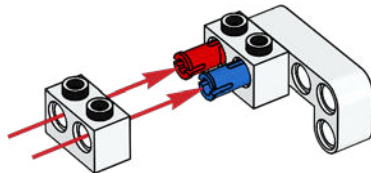




6

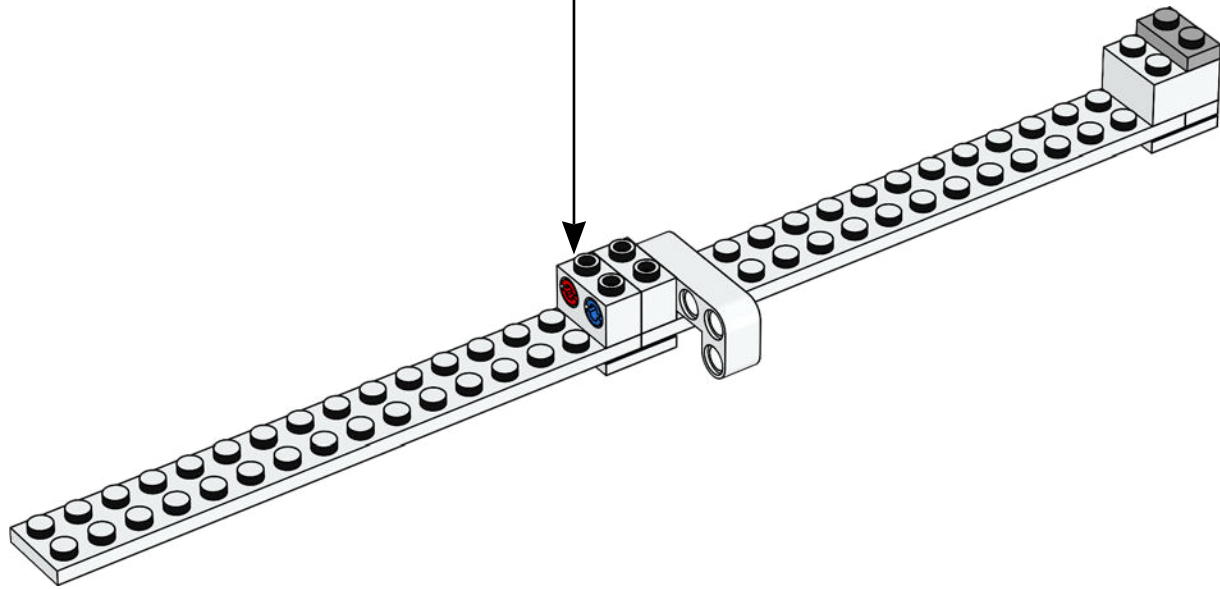


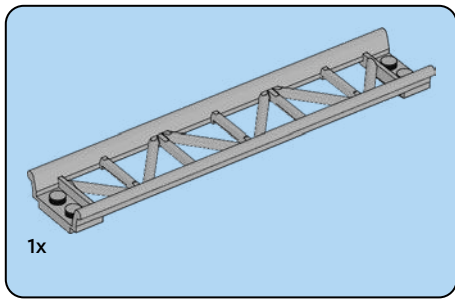
7



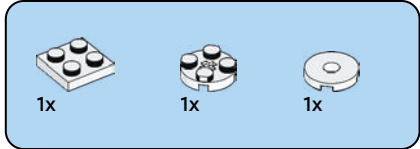
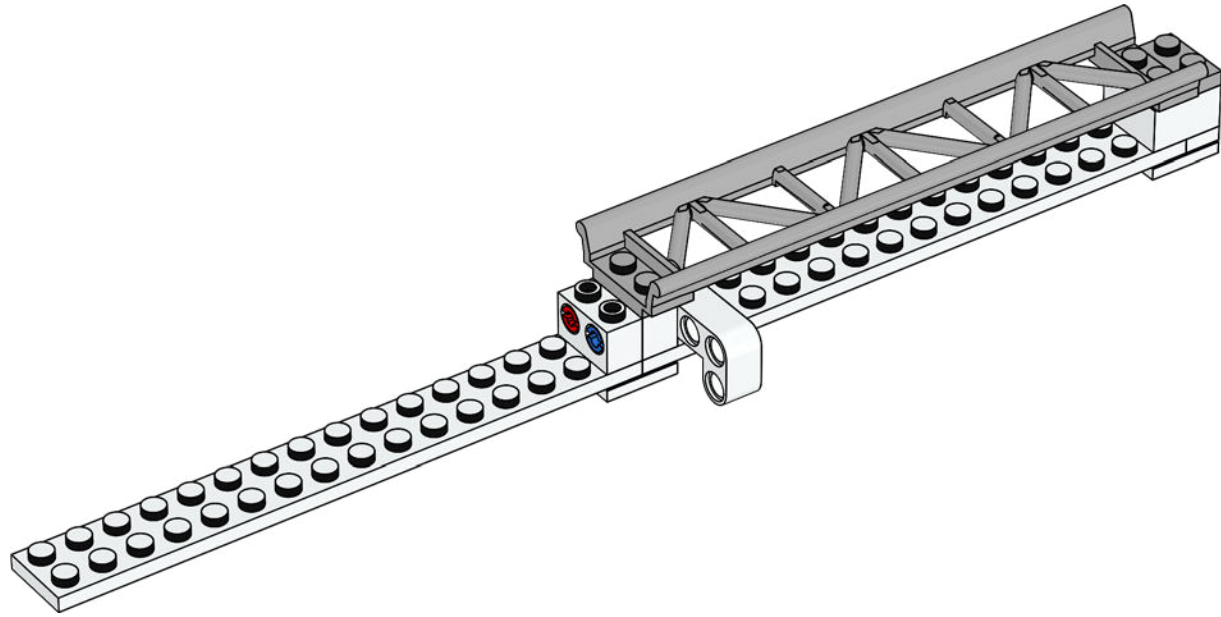


8

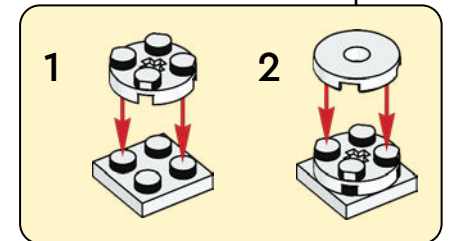
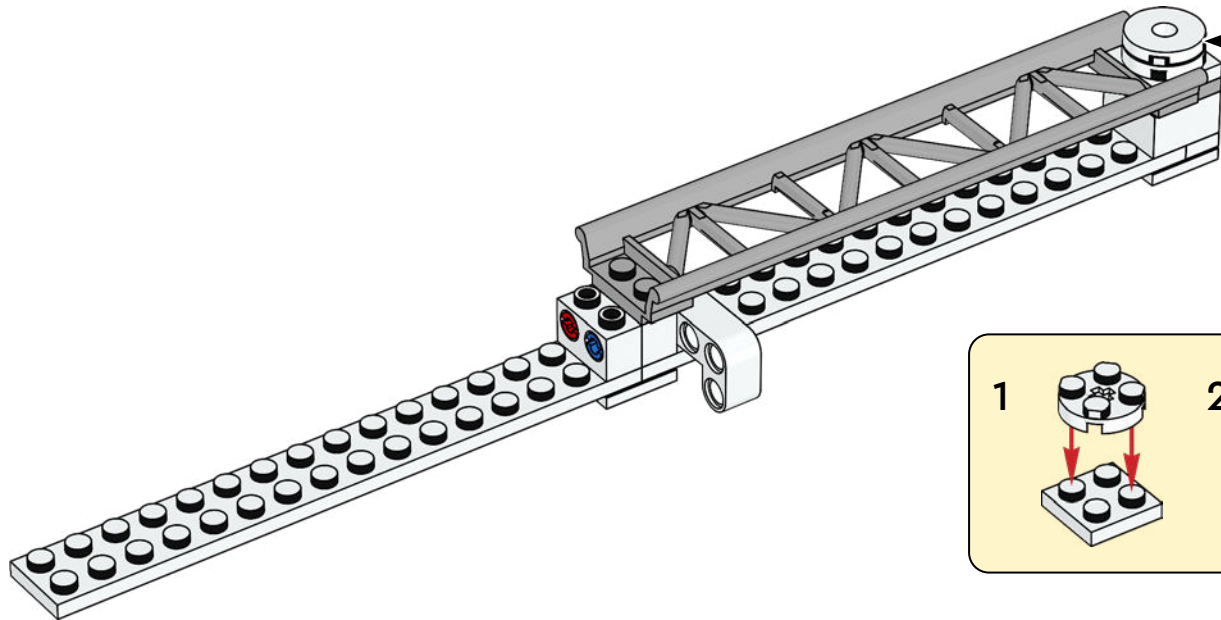




9



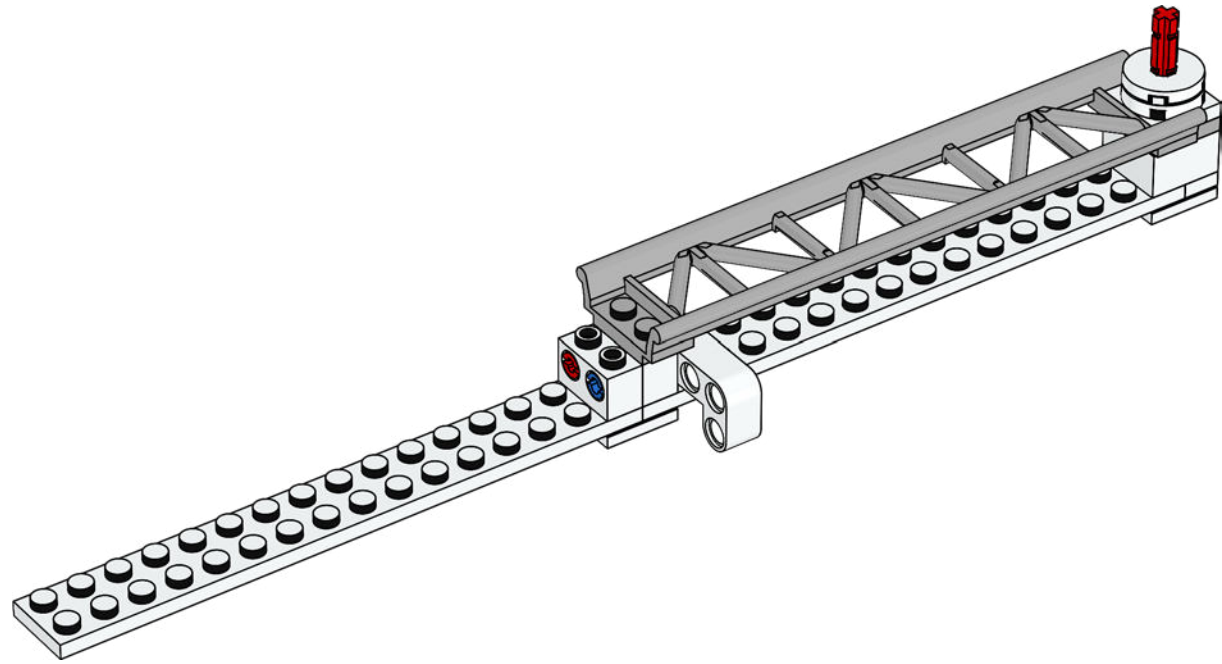
10





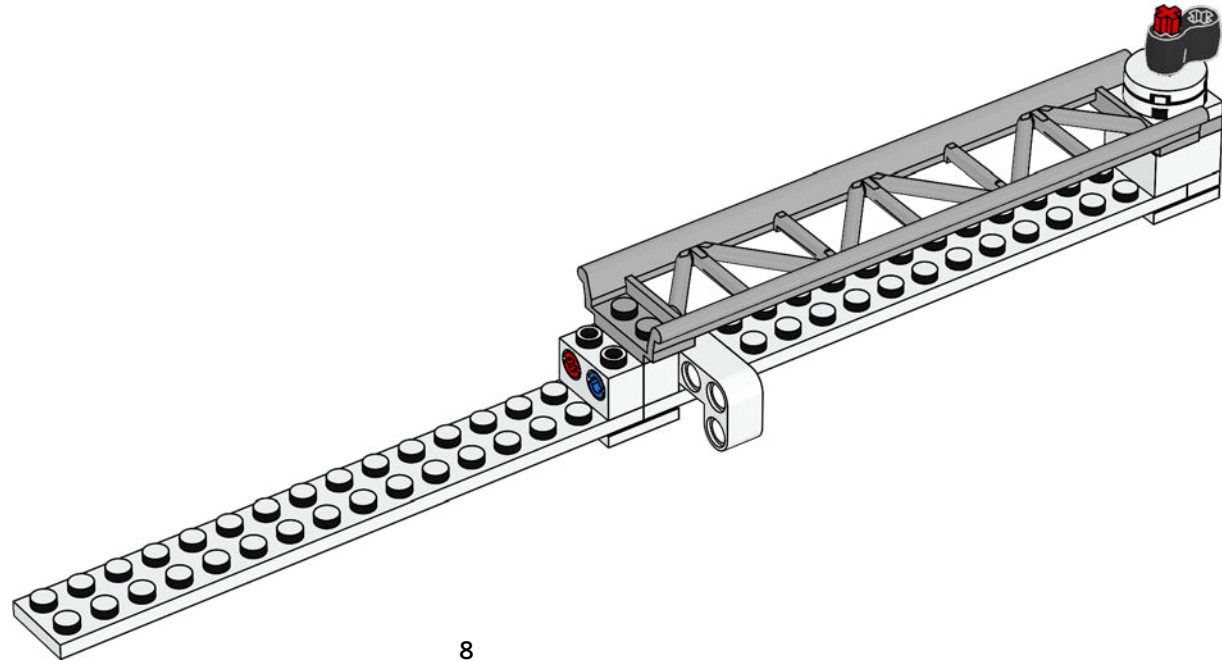
1x

11



1x

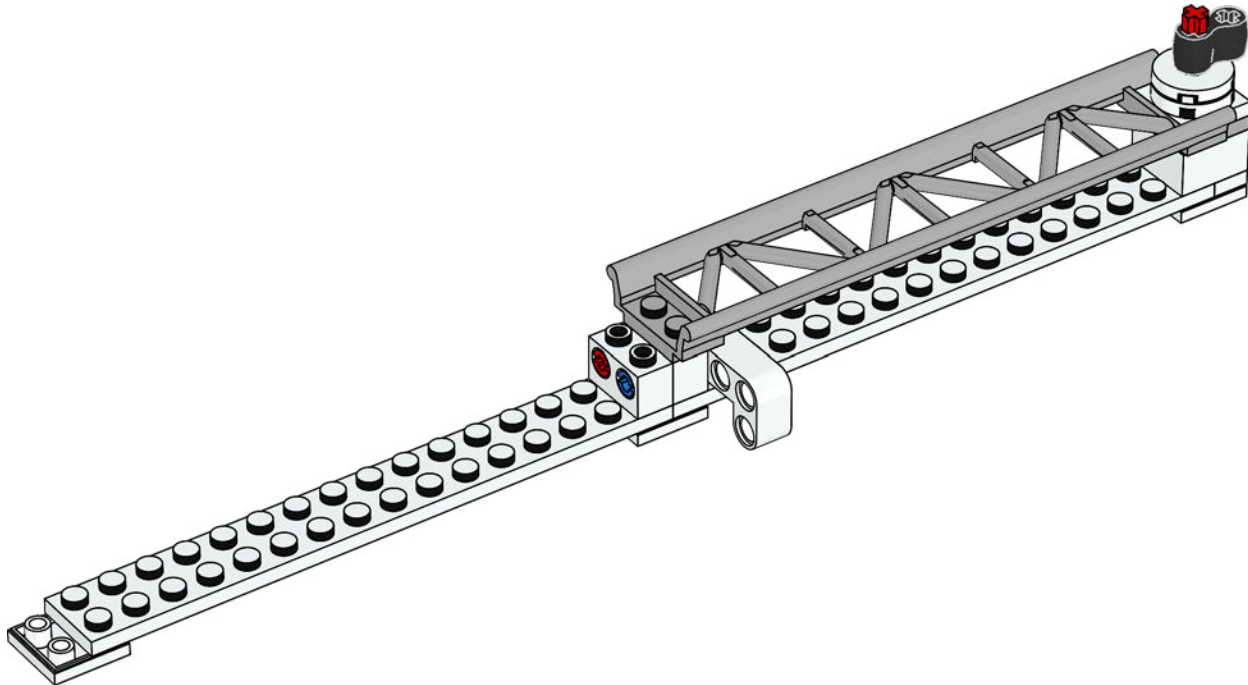
12

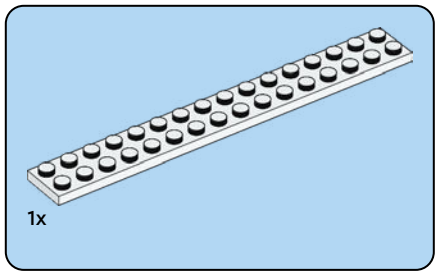




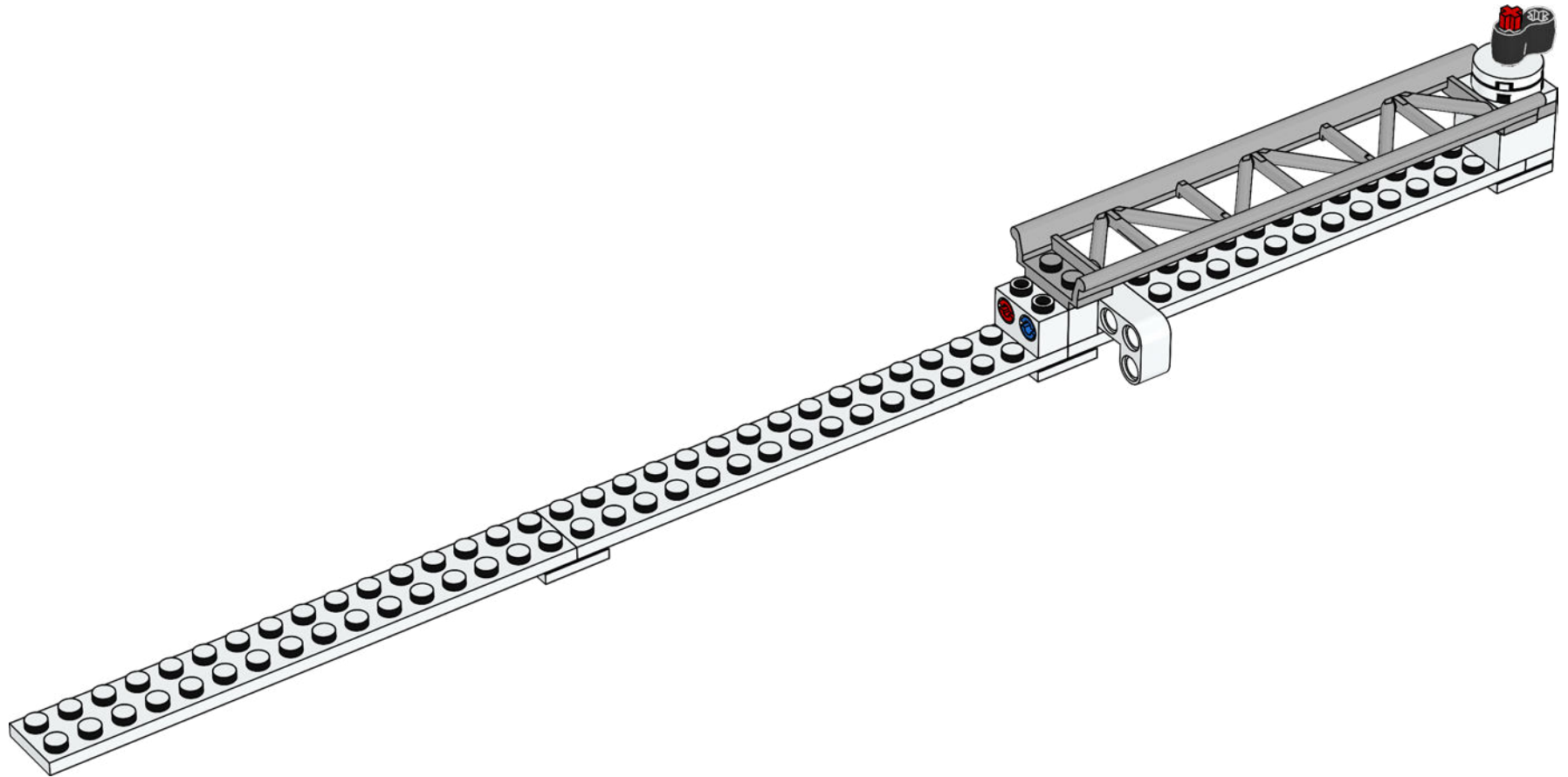
1x

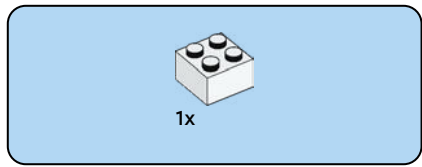
13



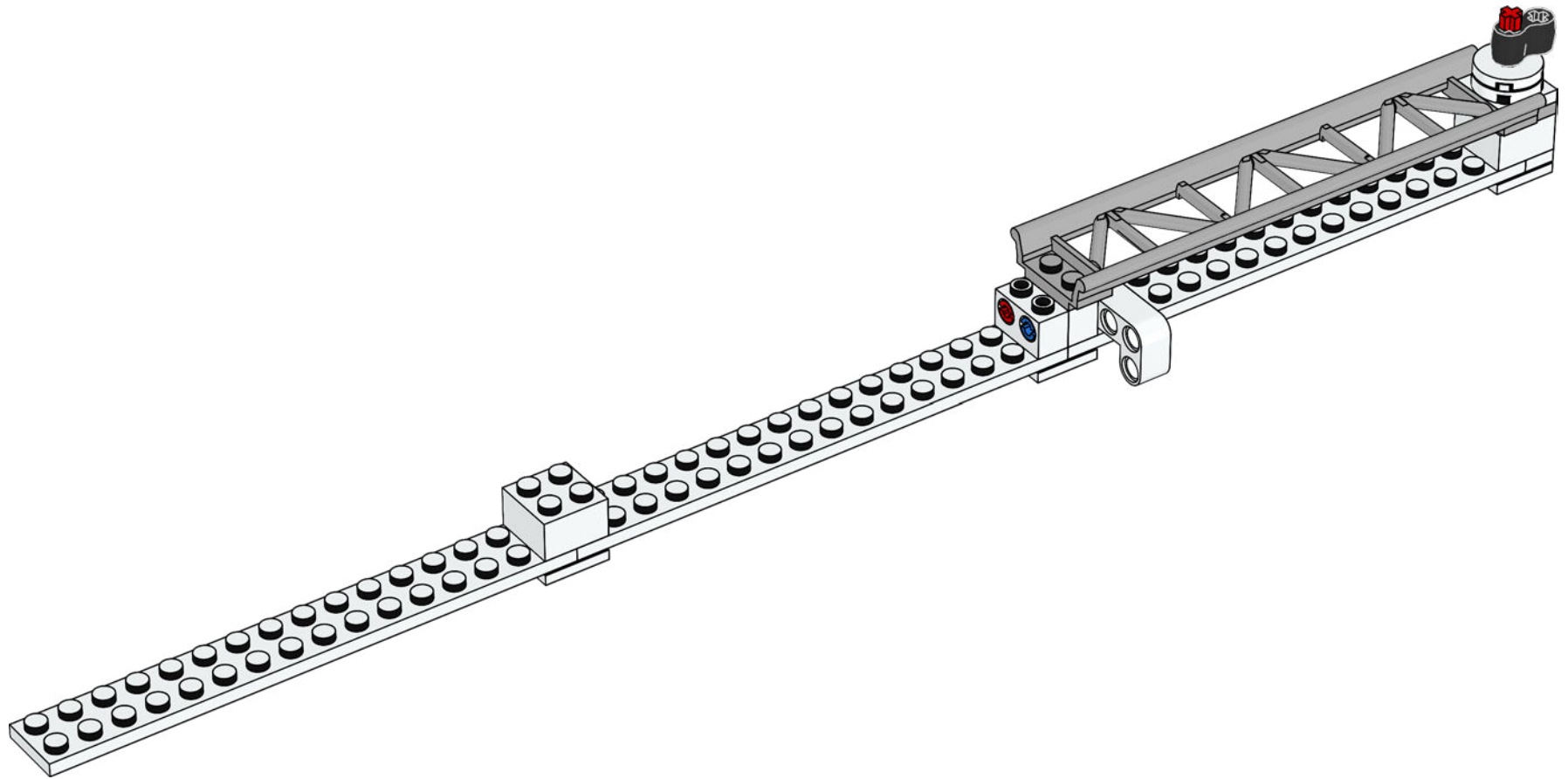


14





15

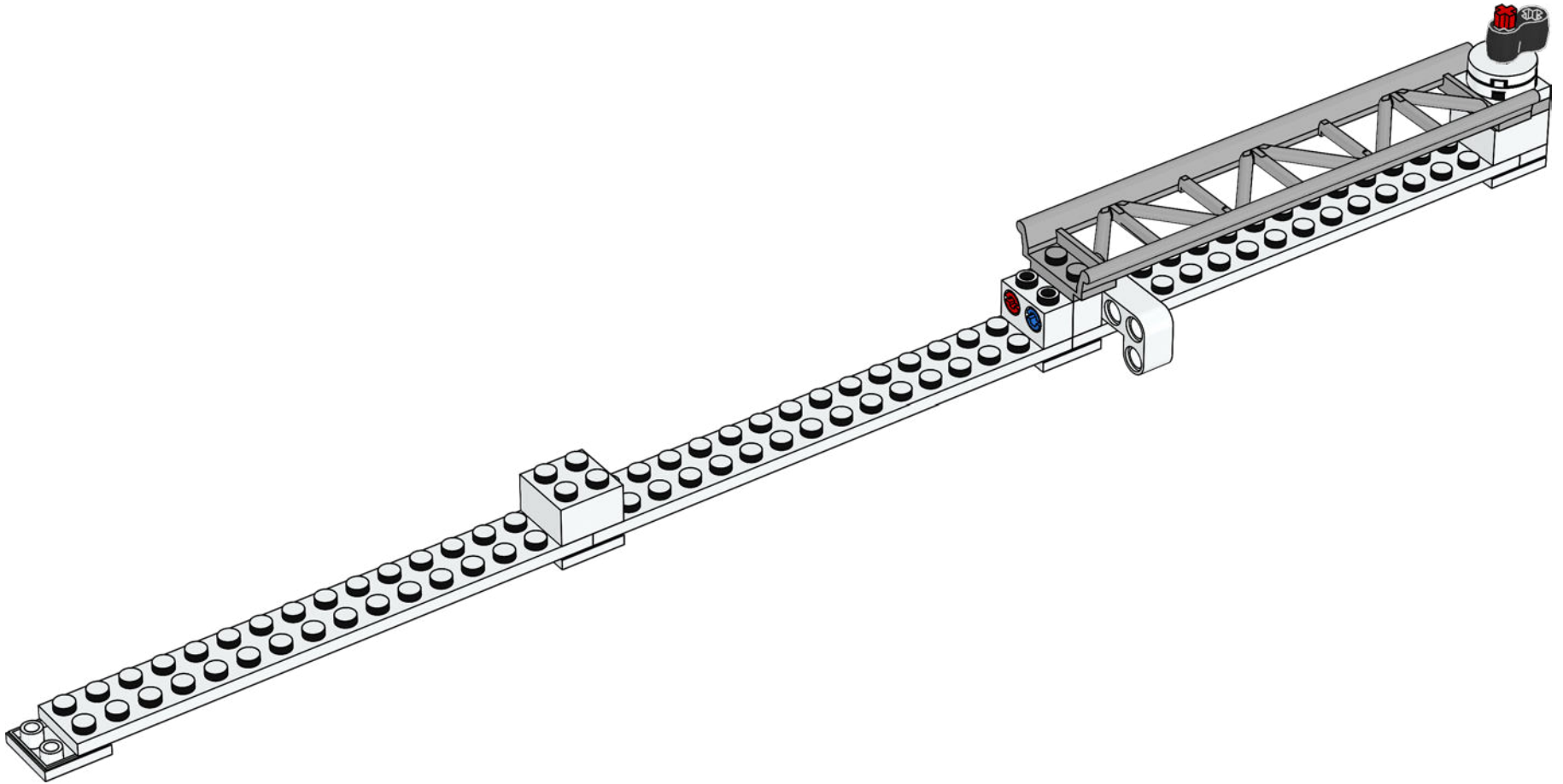


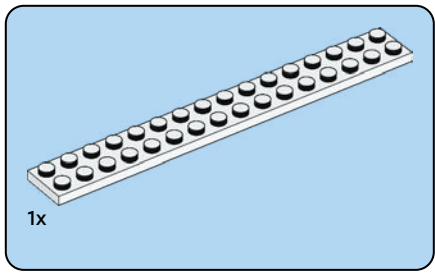


1x

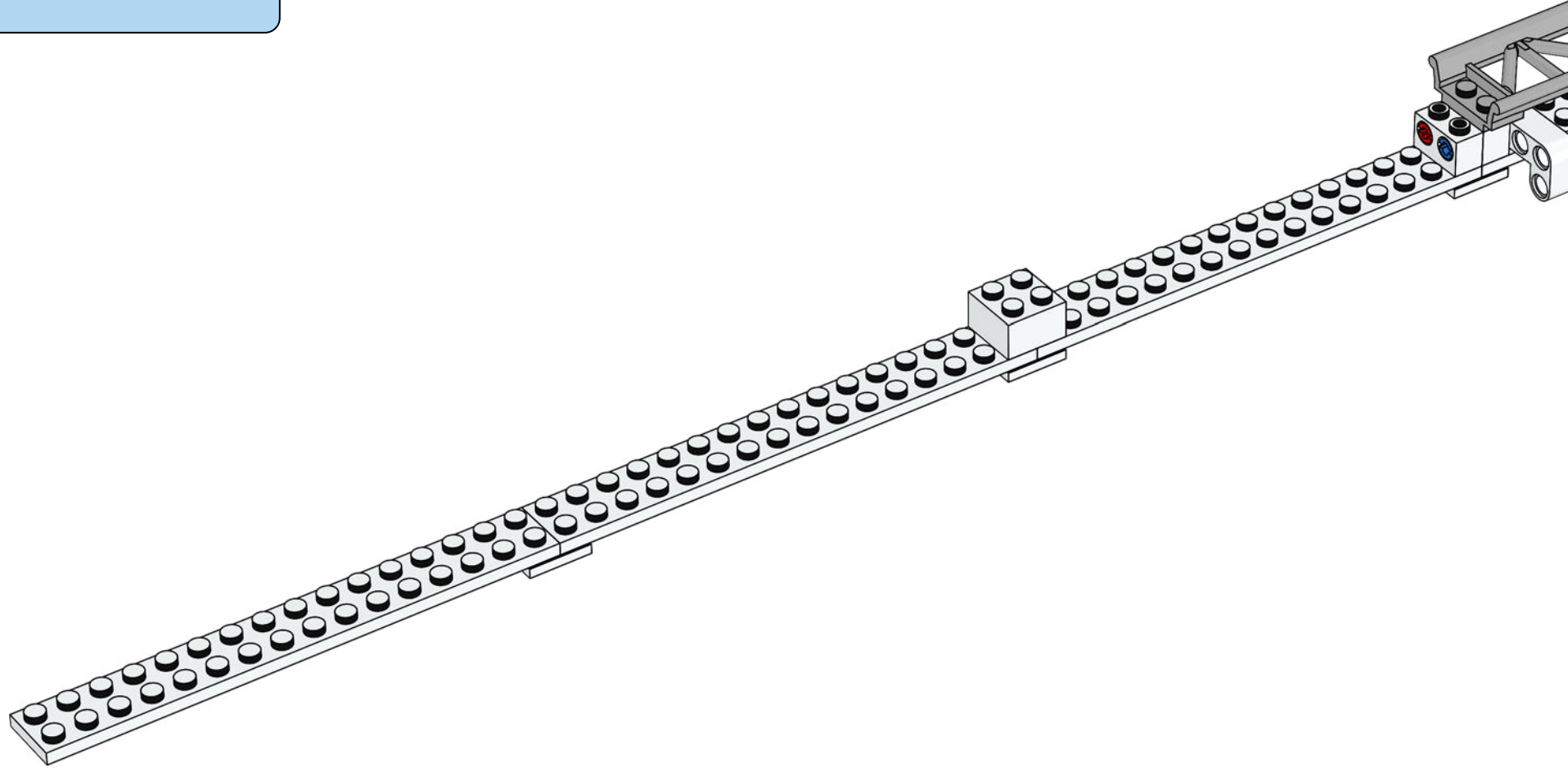


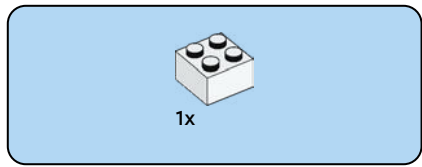
16



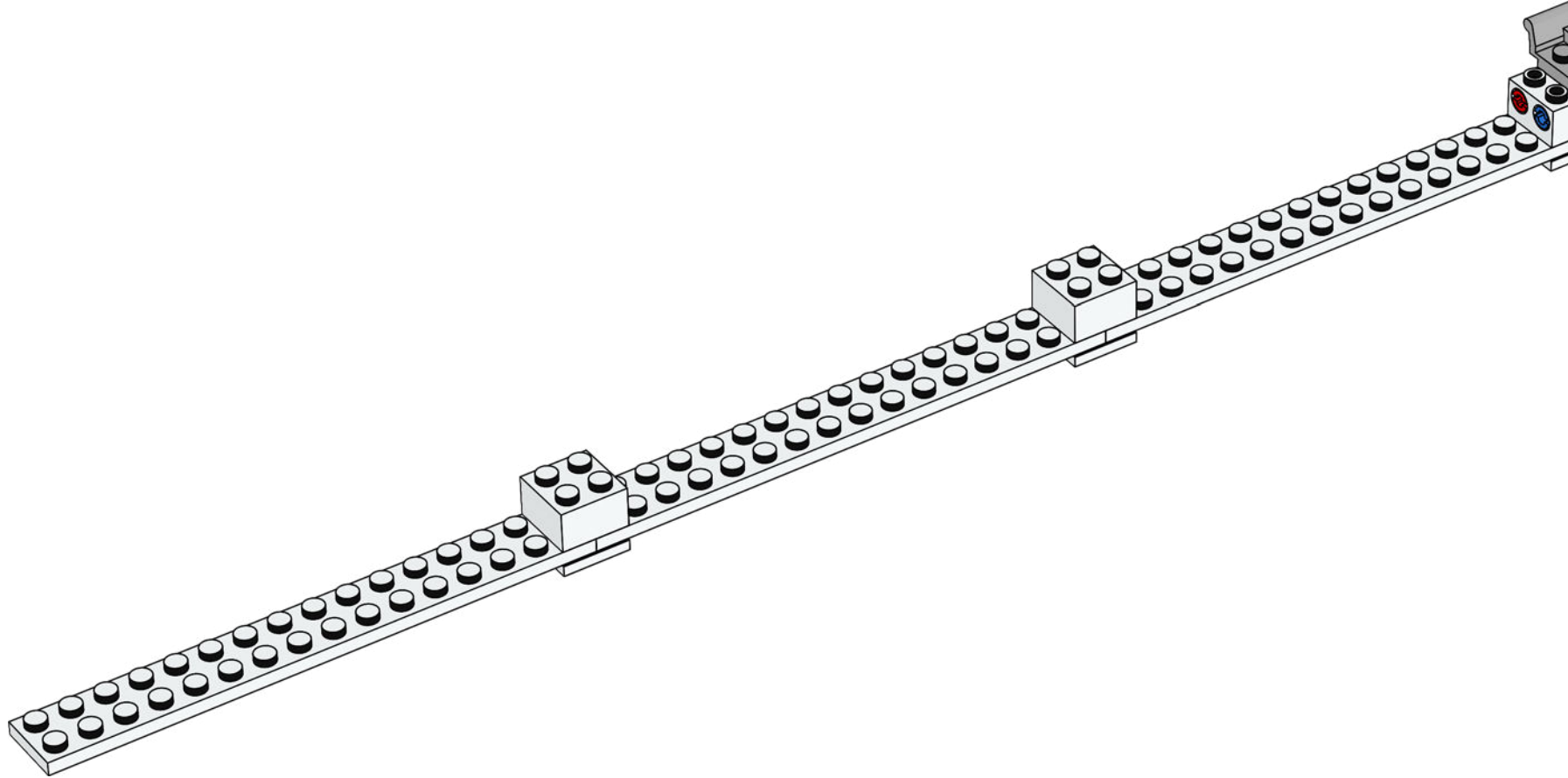


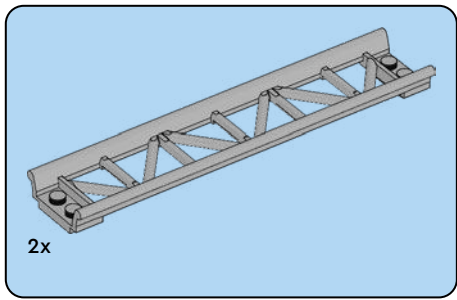
17



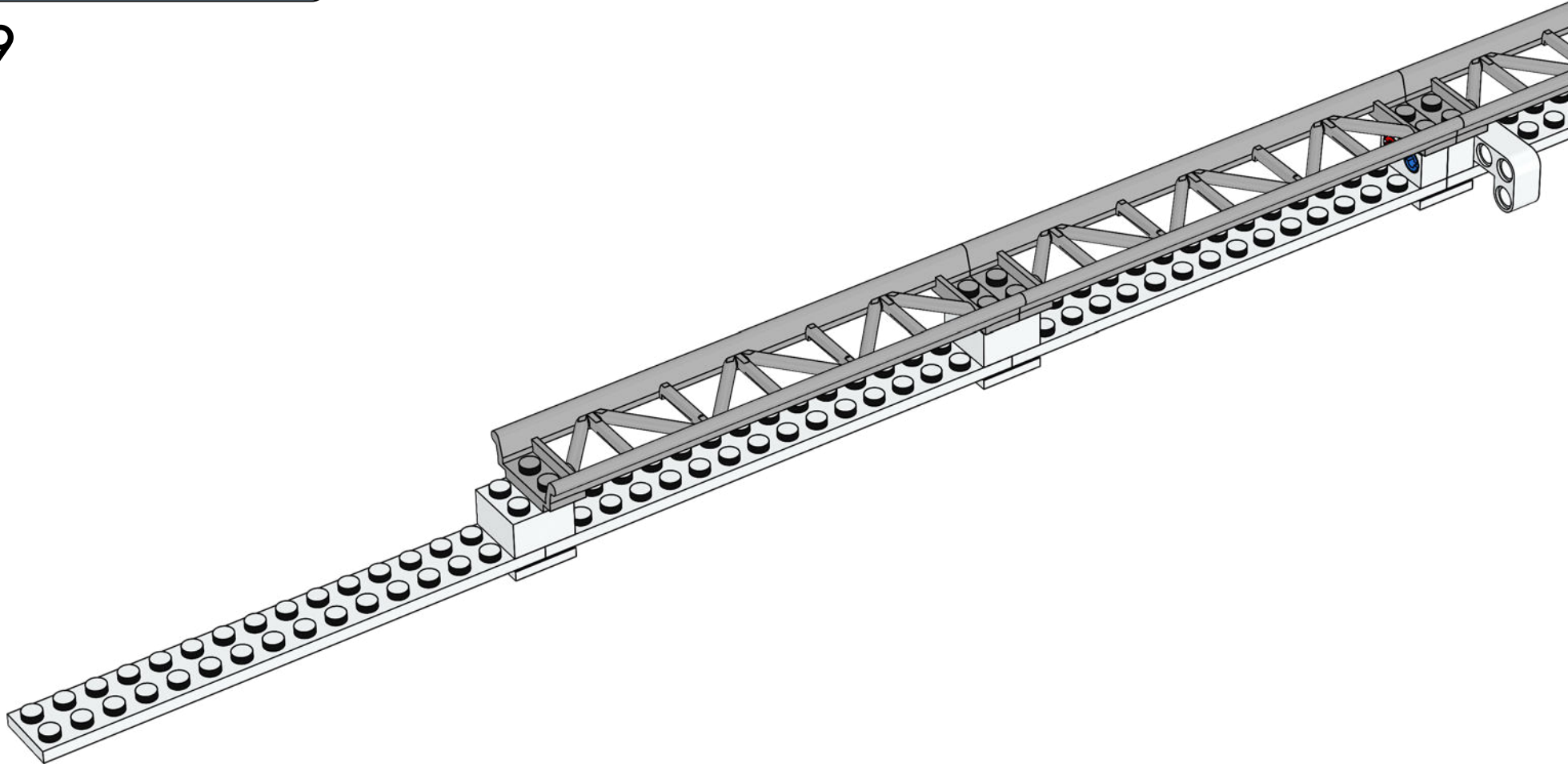


18





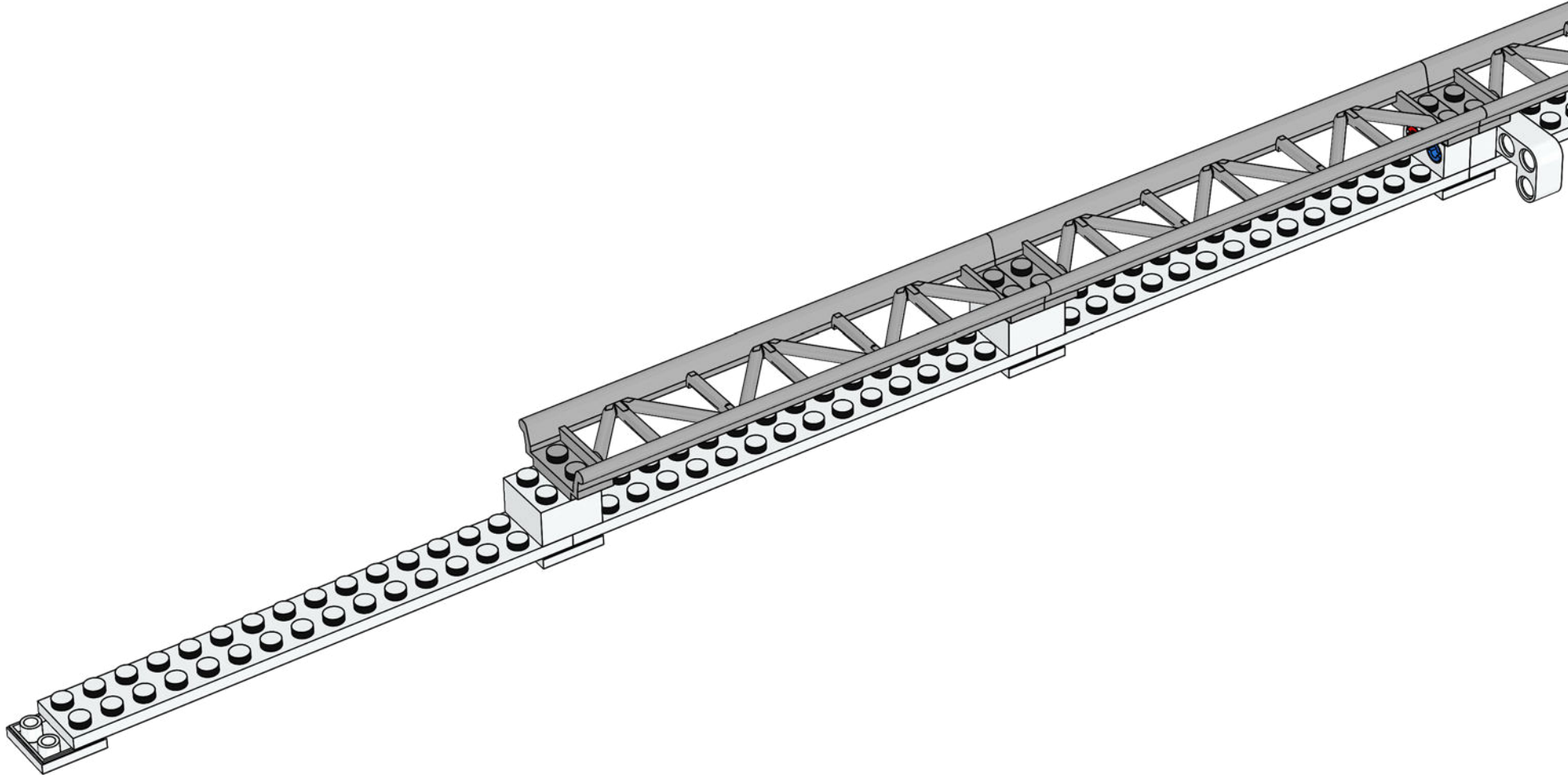
19

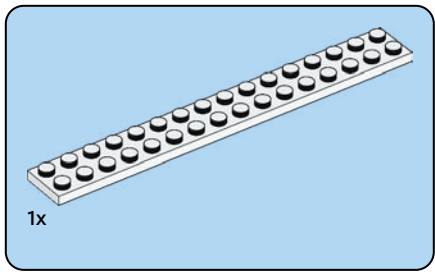




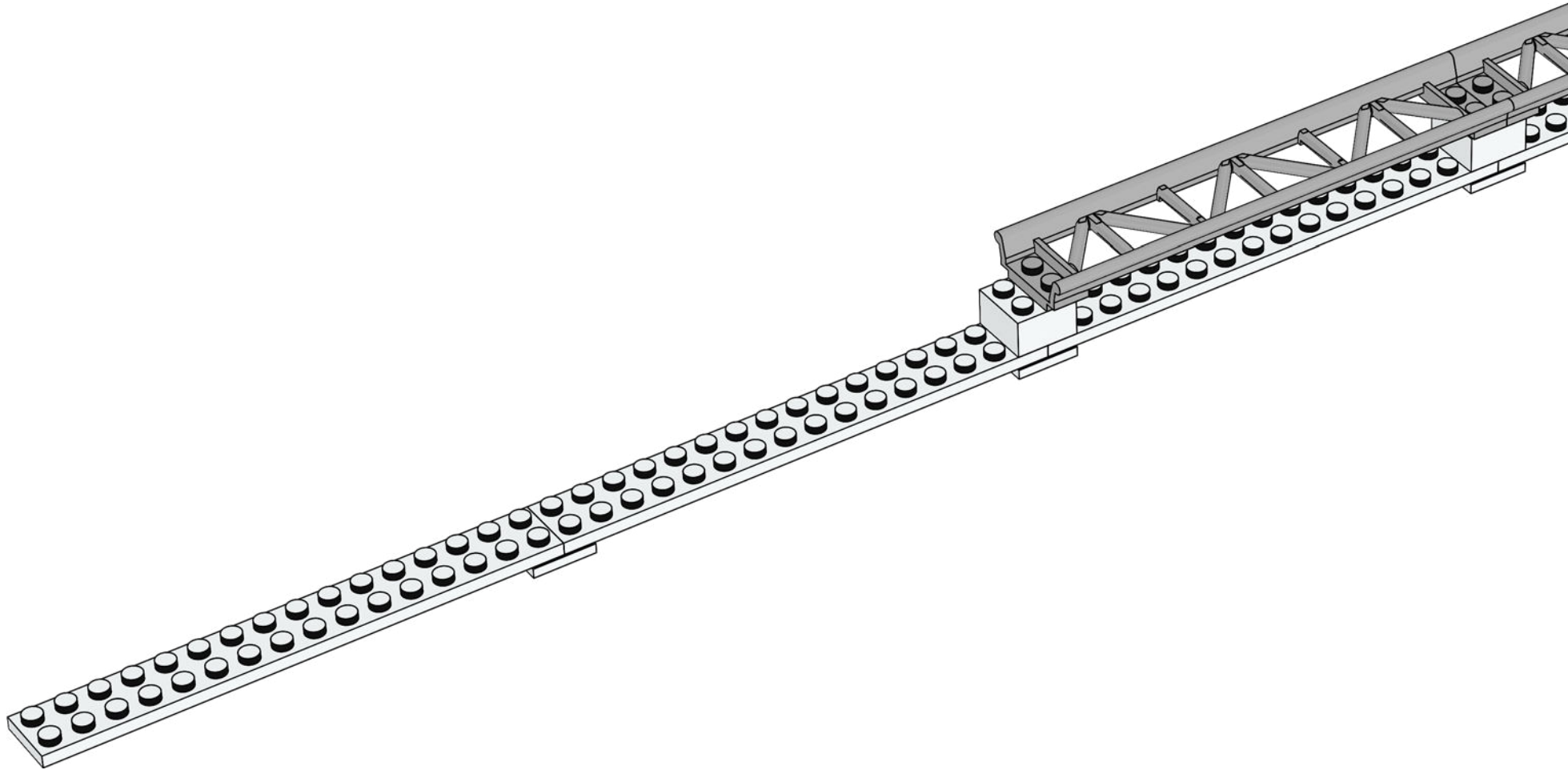
1x

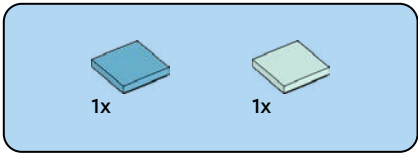
20



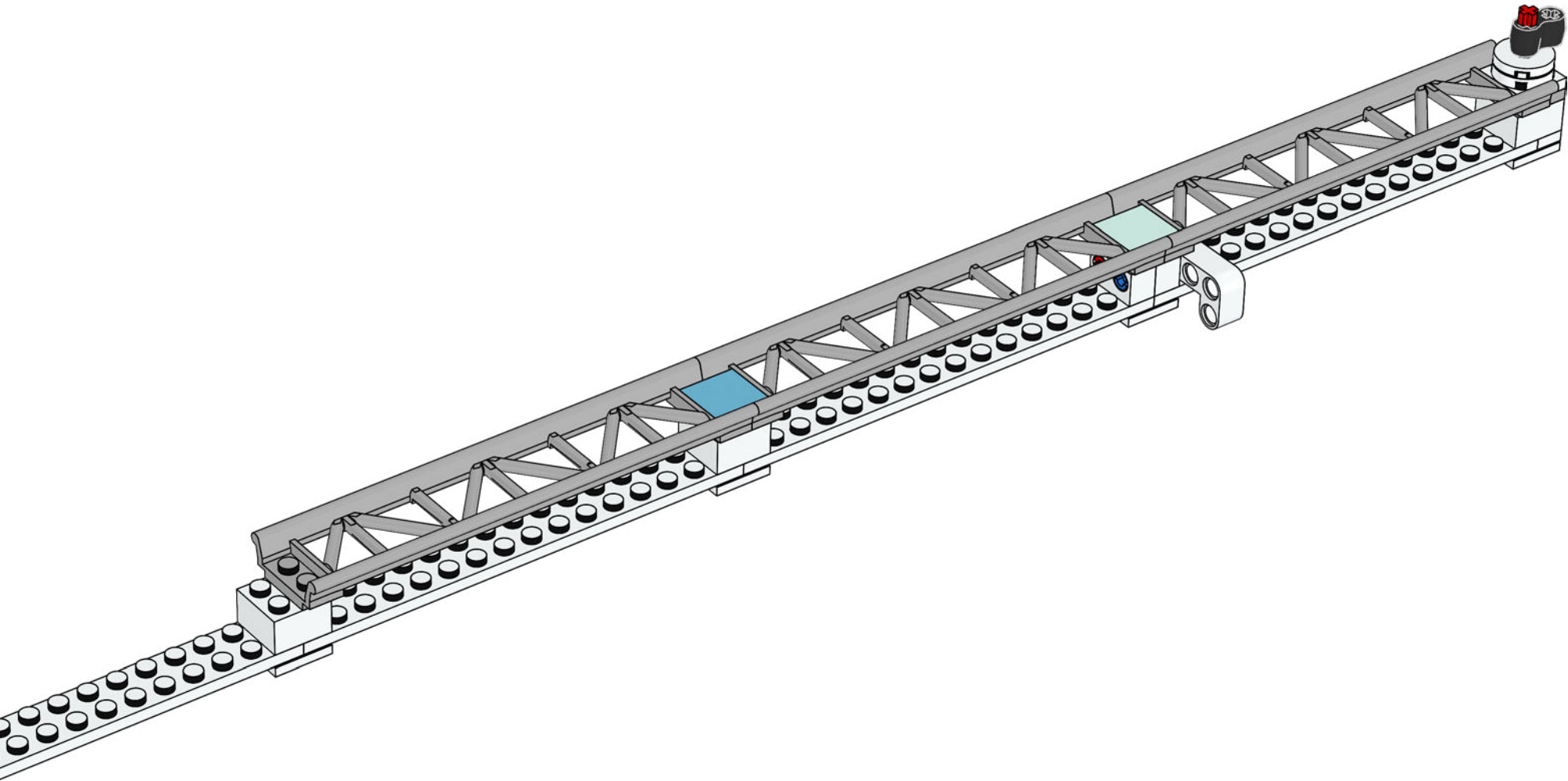


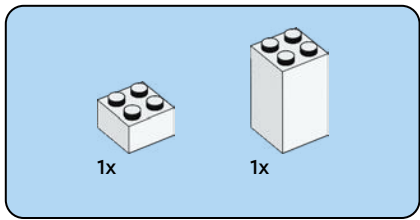
21



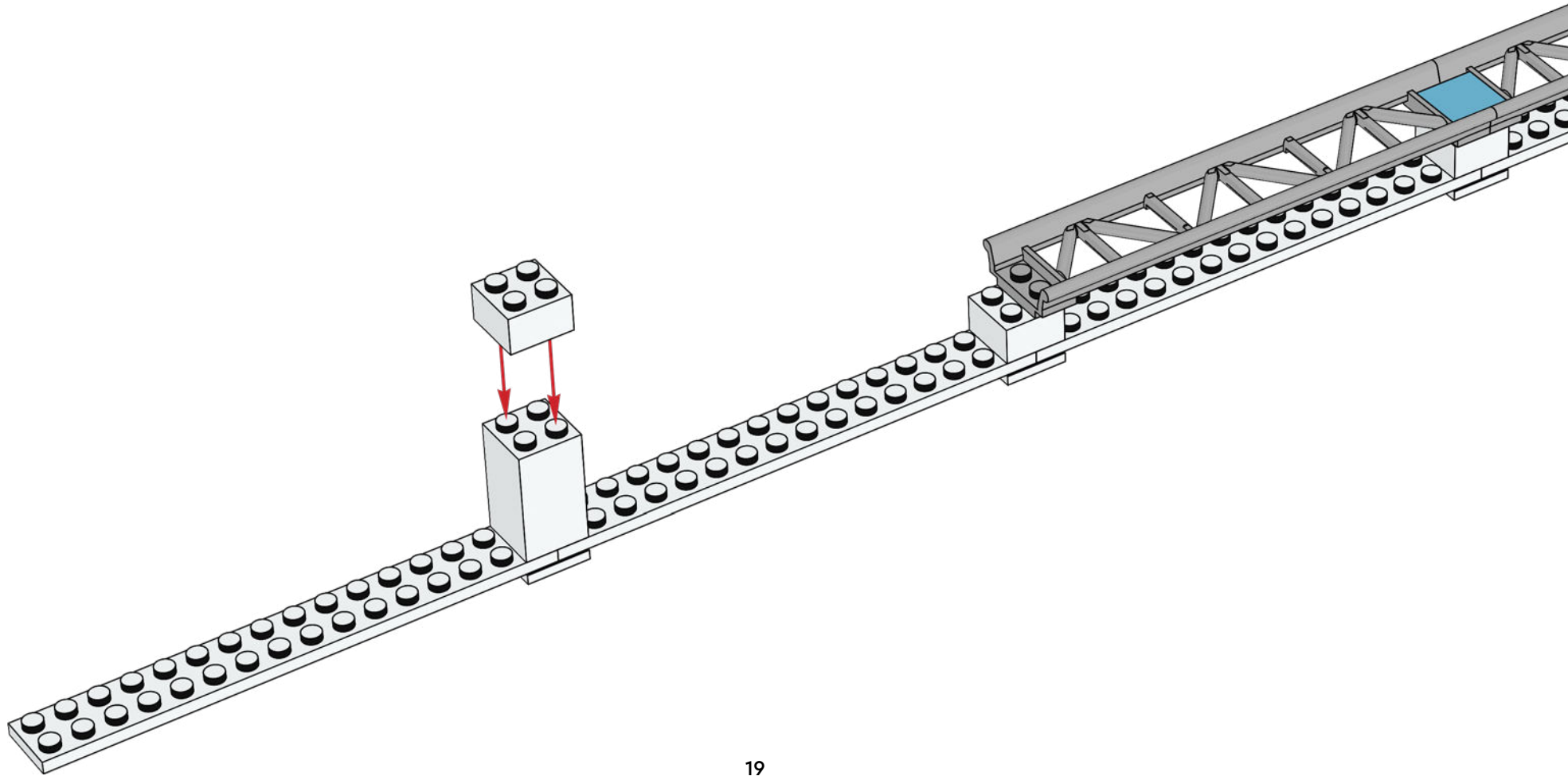


22





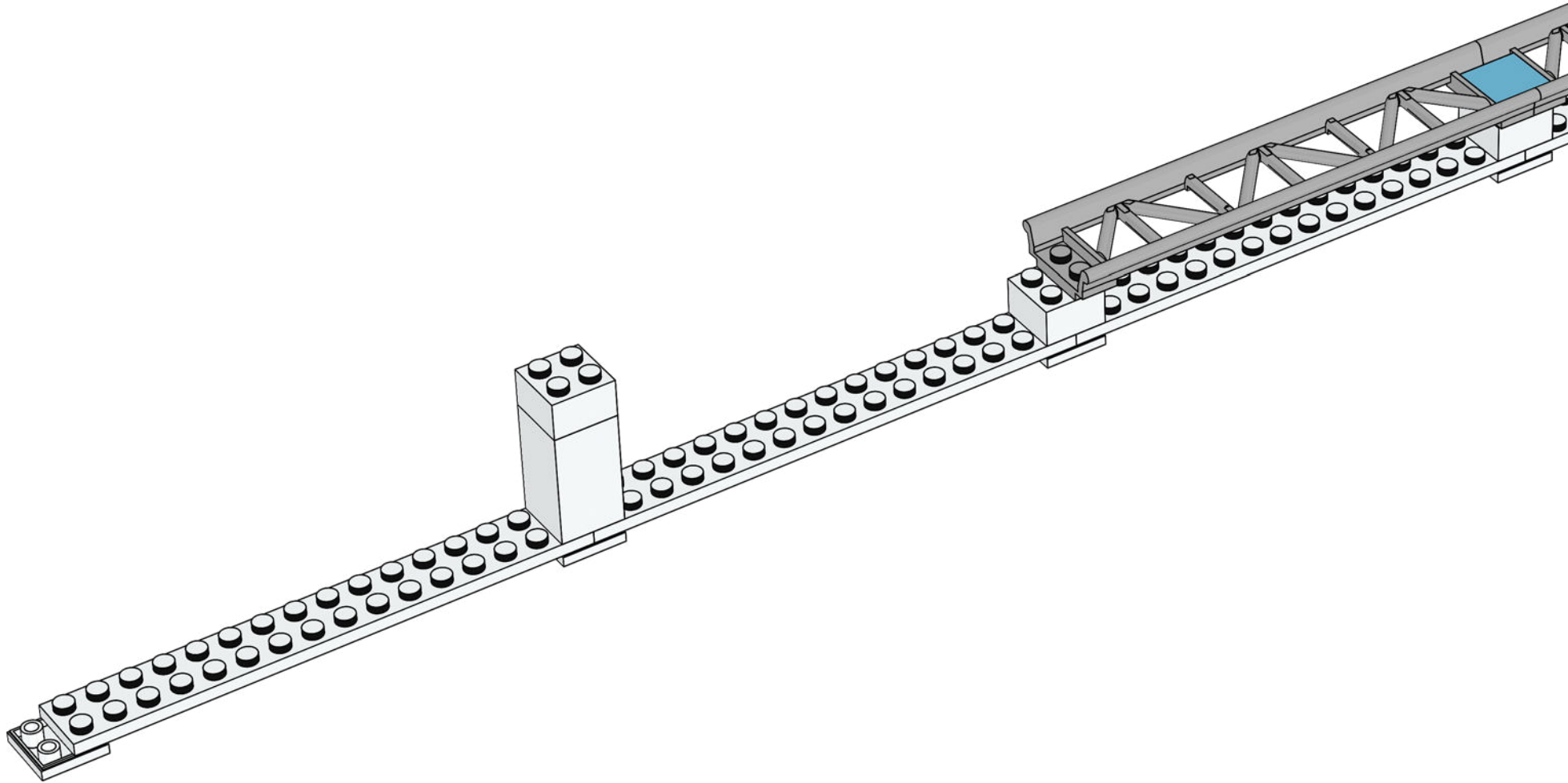
23





1x

24

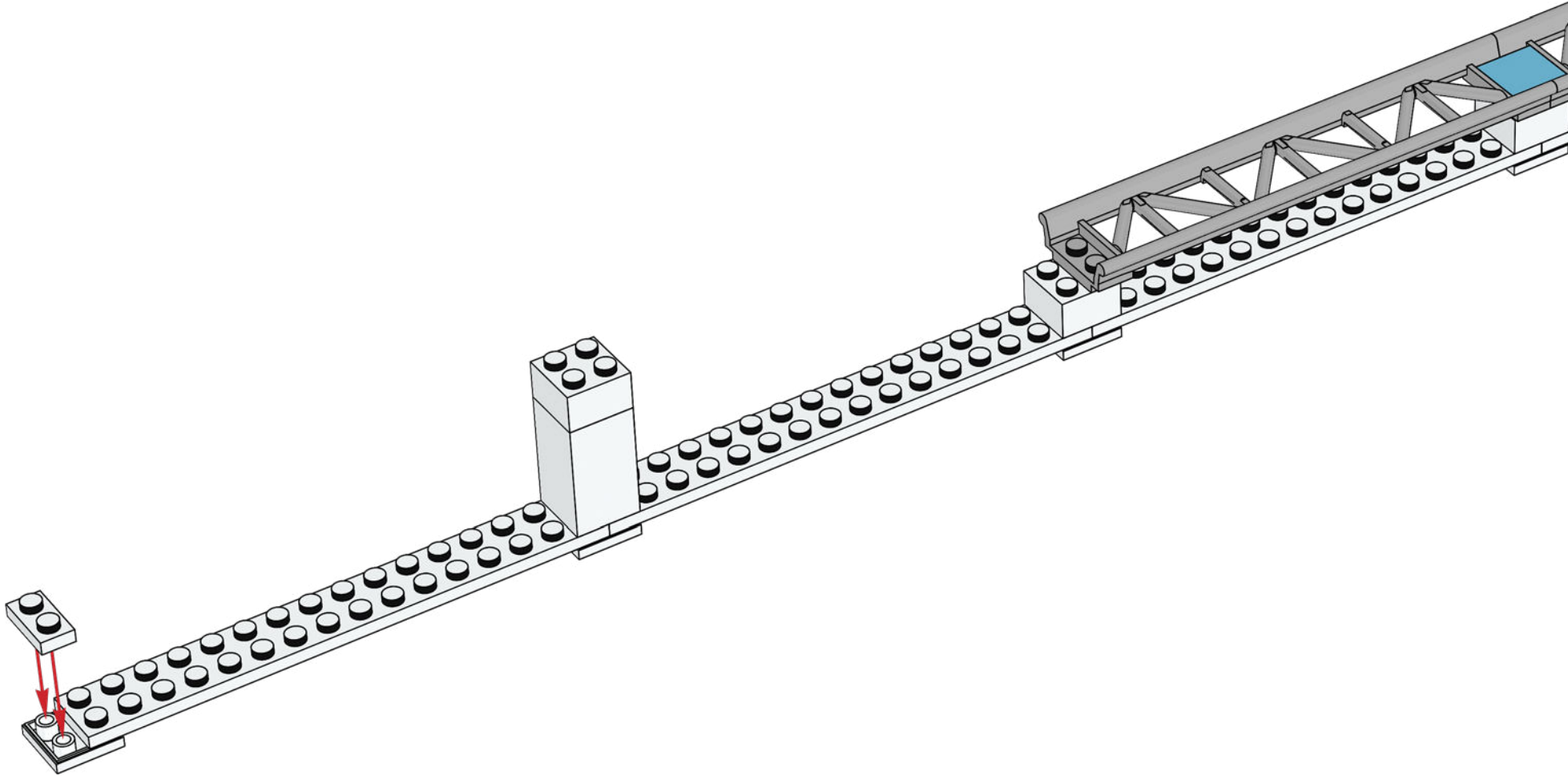


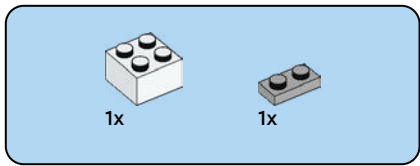


1x

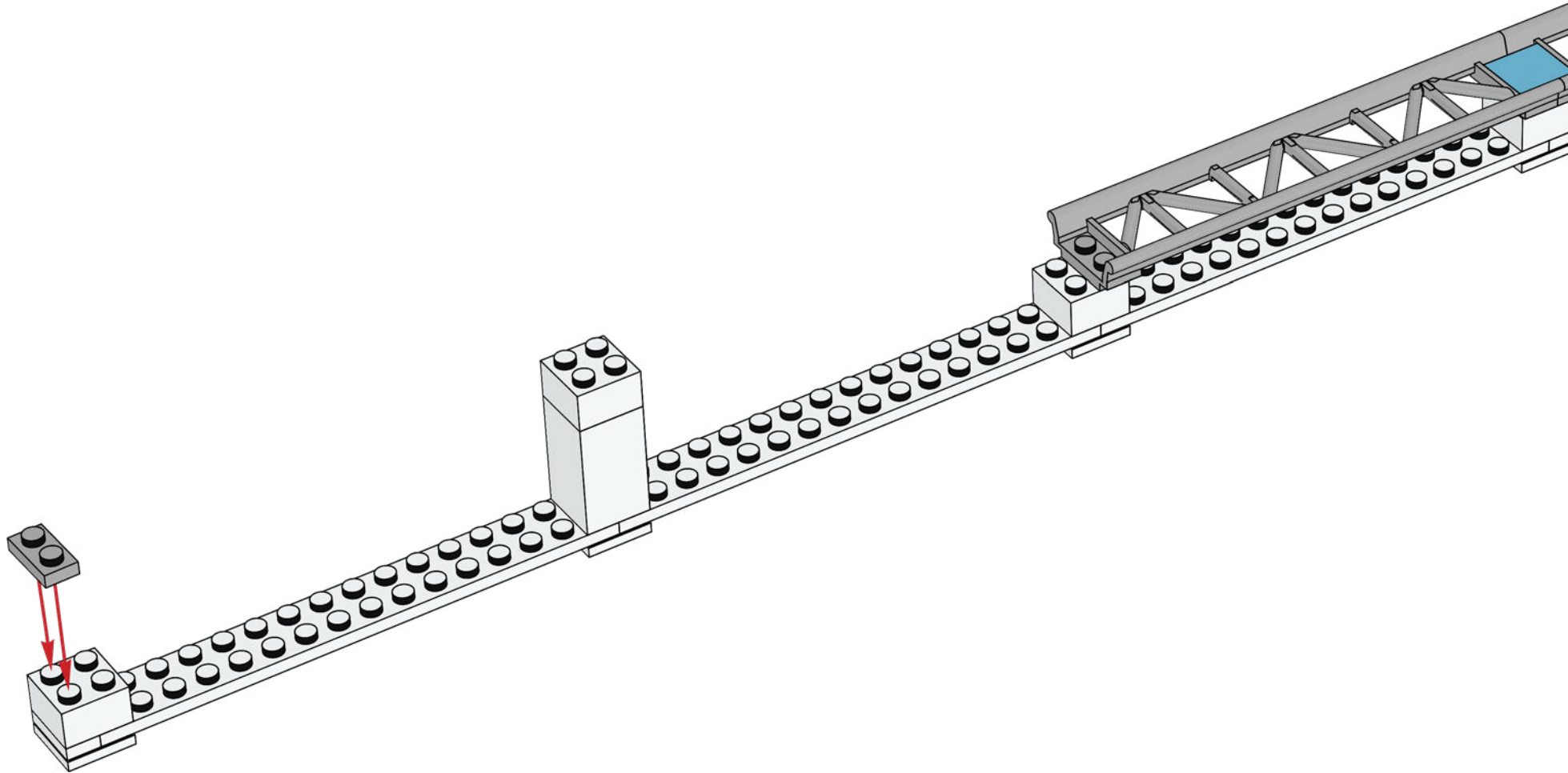


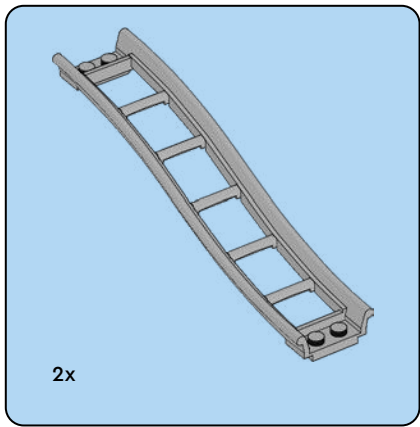
25



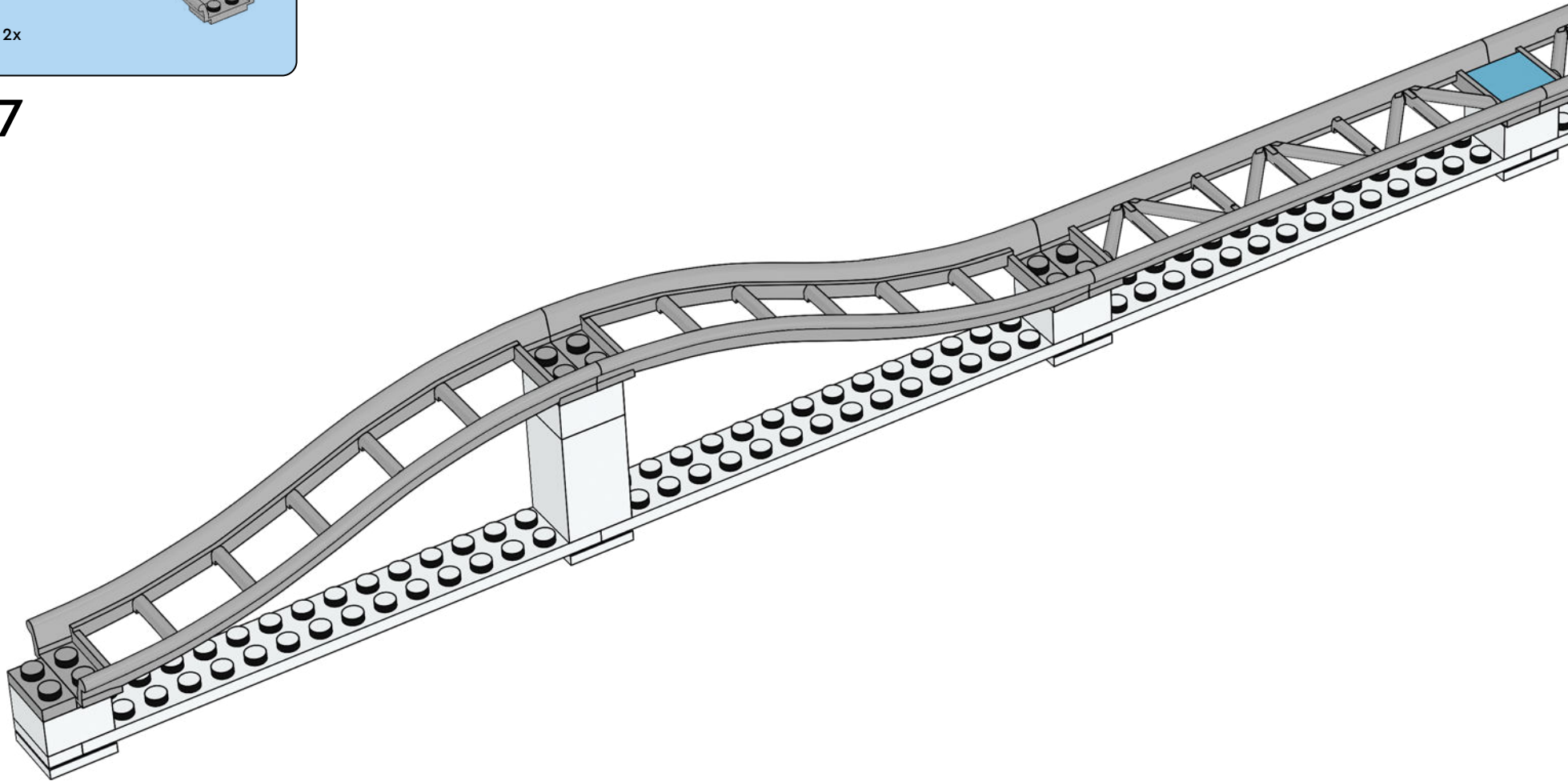


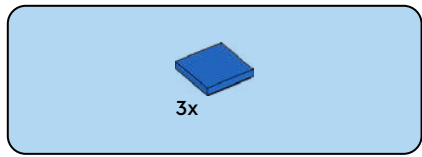
26



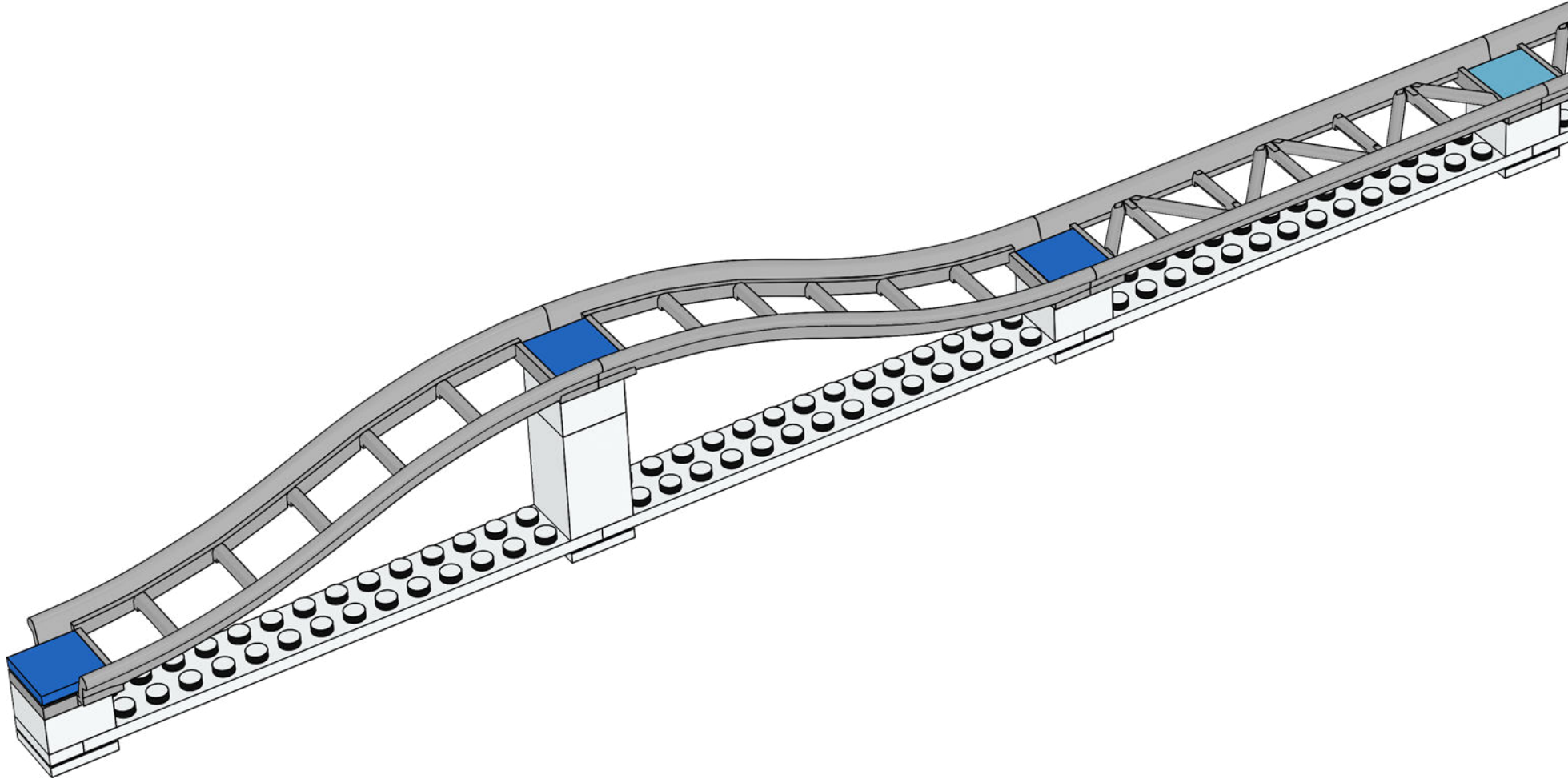


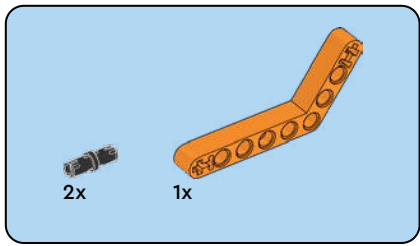
27



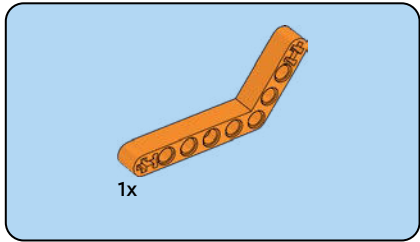
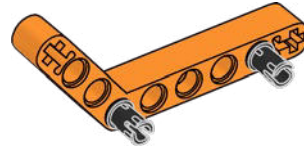


28

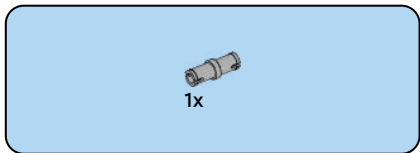
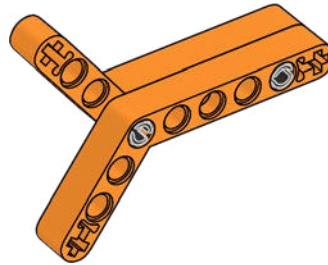




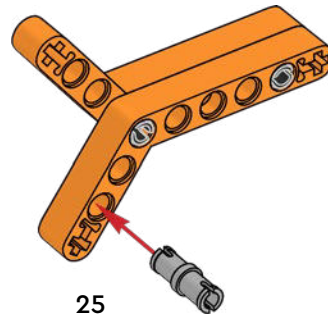
29



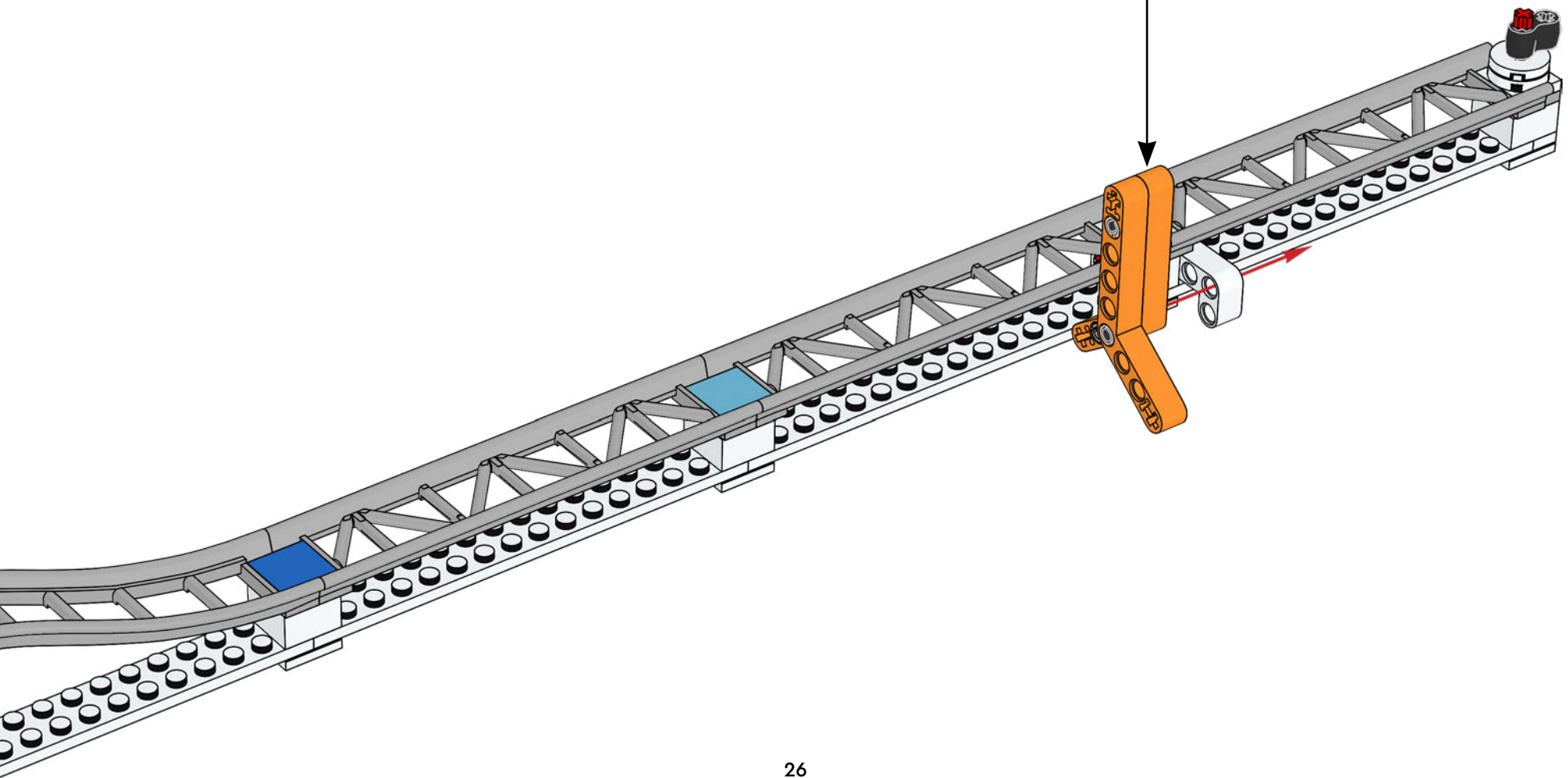
30

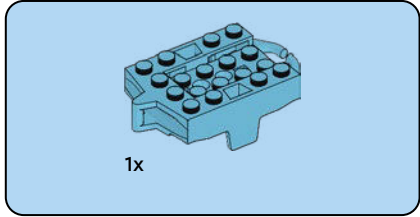
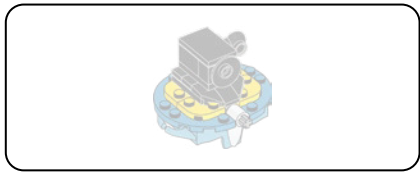


31

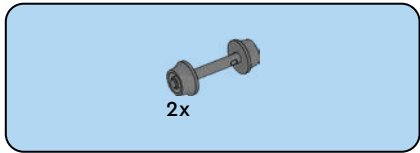
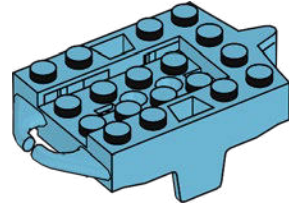


32

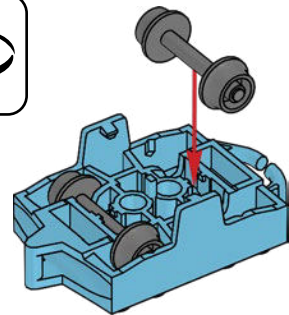
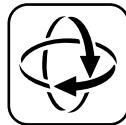


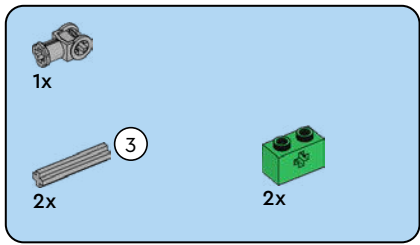


33

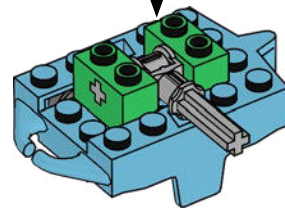
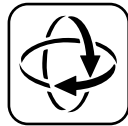
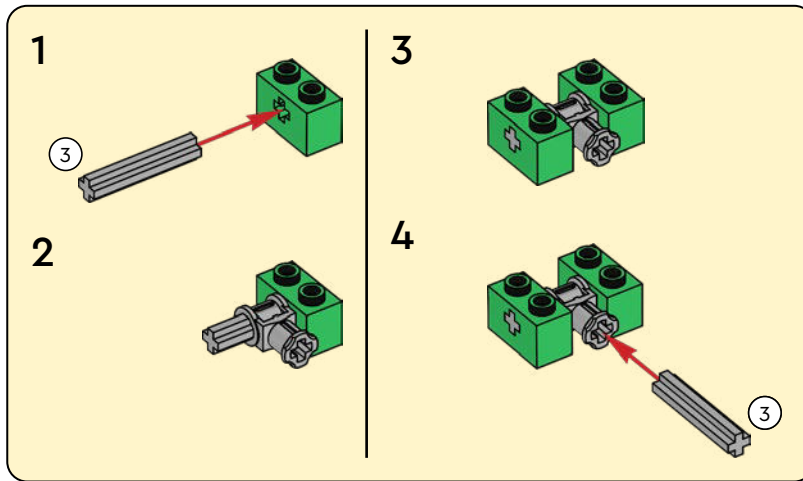


34



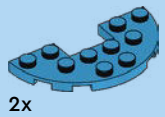
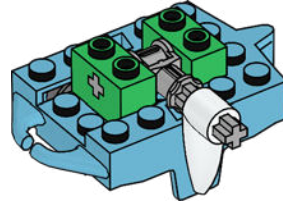


35

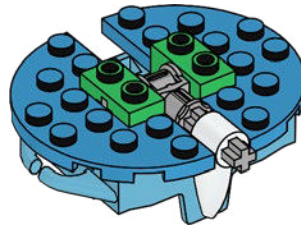


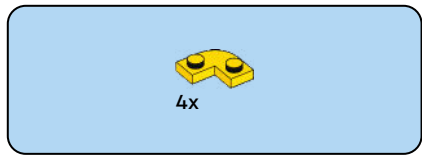


36

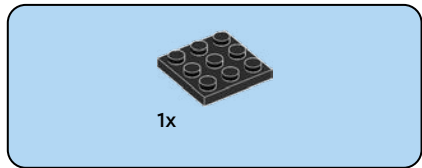
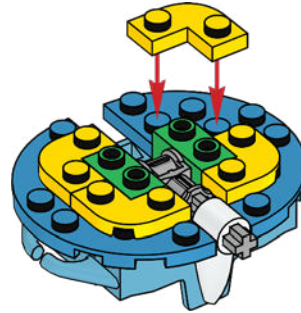


37

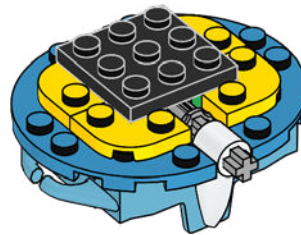


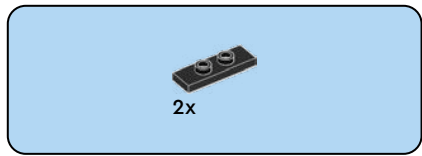


38

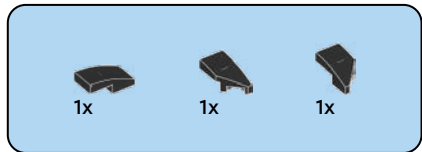
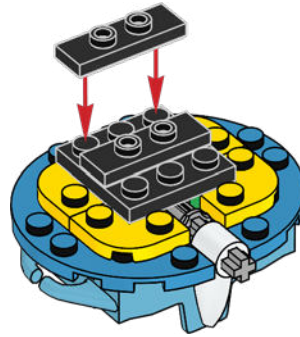


39

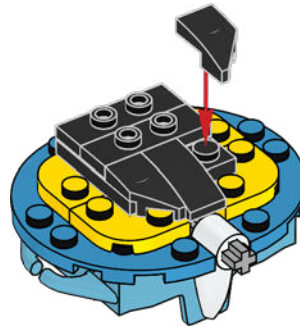


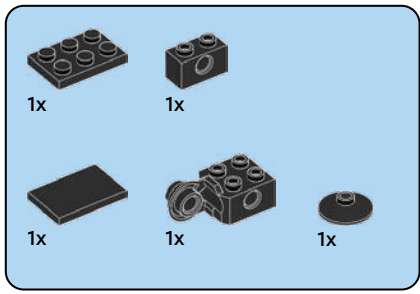


40

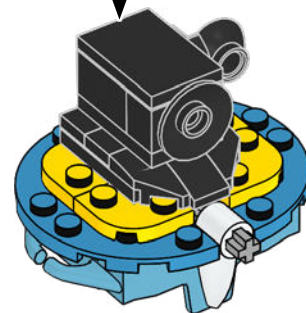
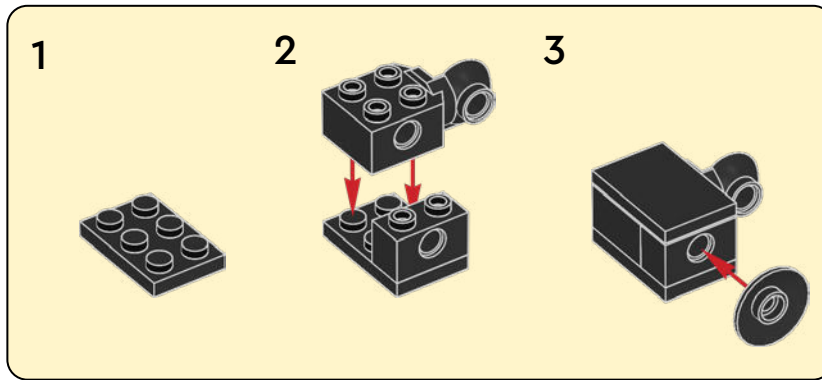


41

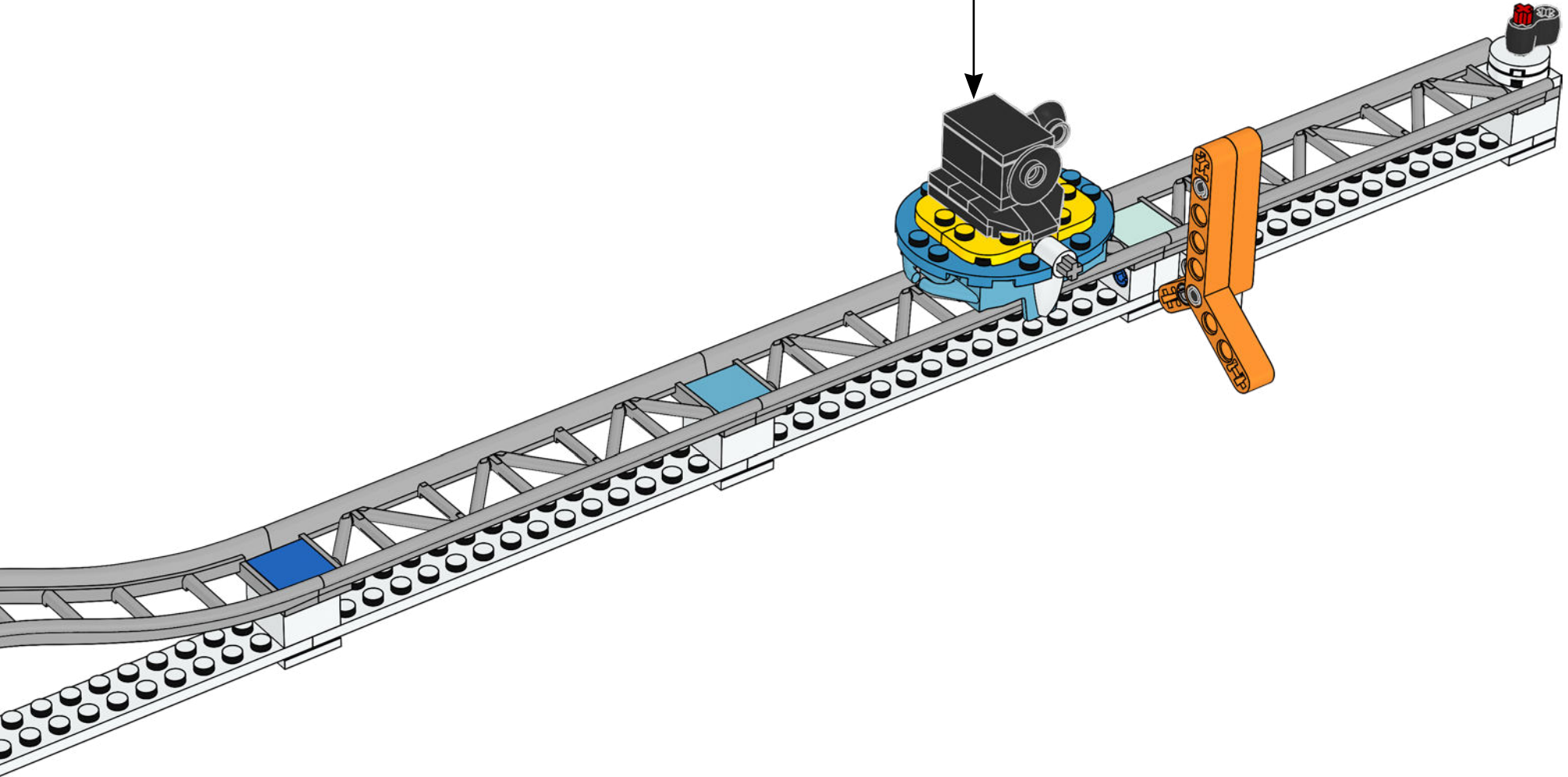


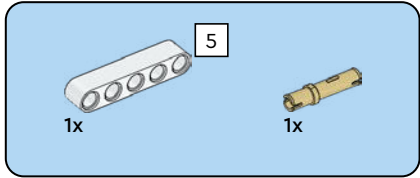
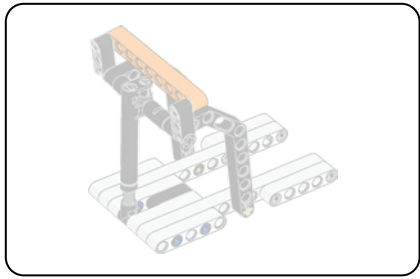


42

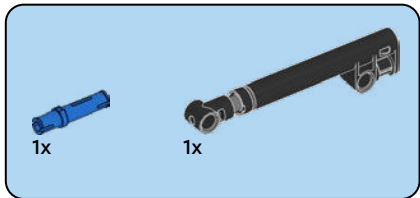
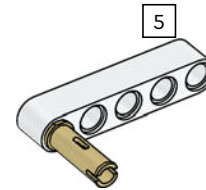


43

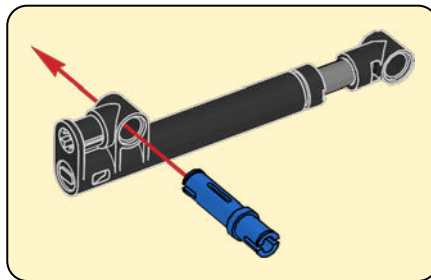


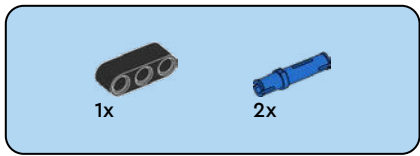


44

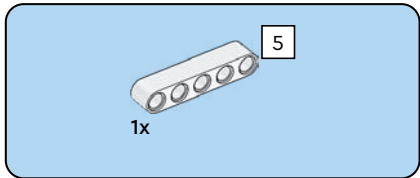
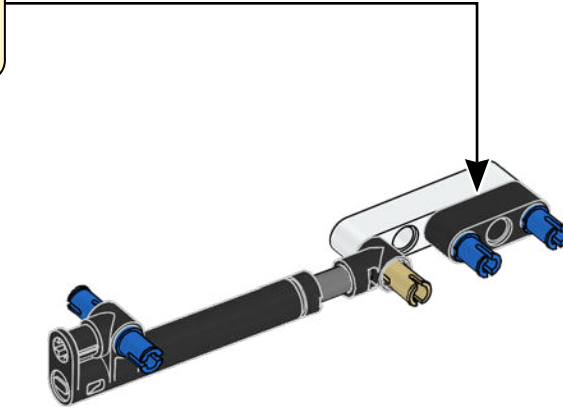
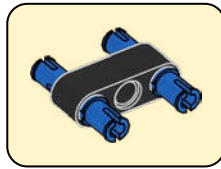


45

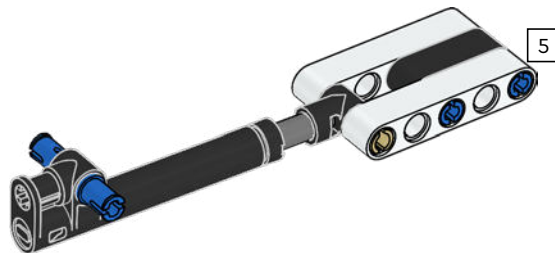


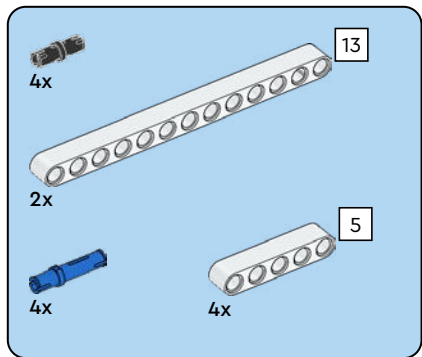


46

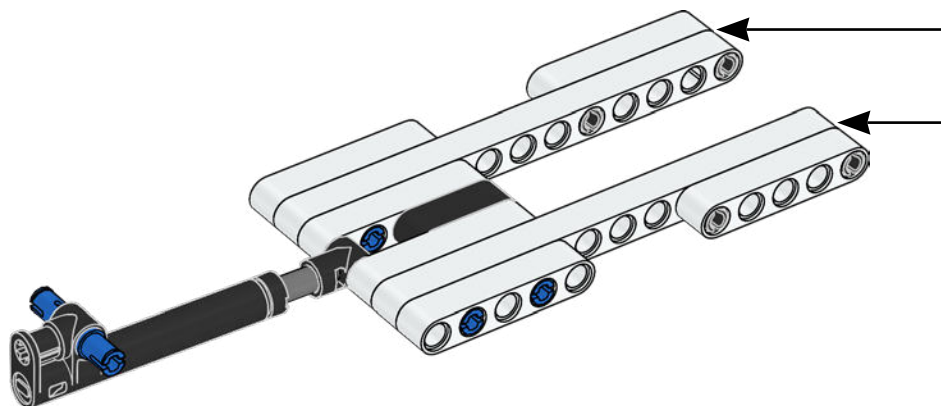
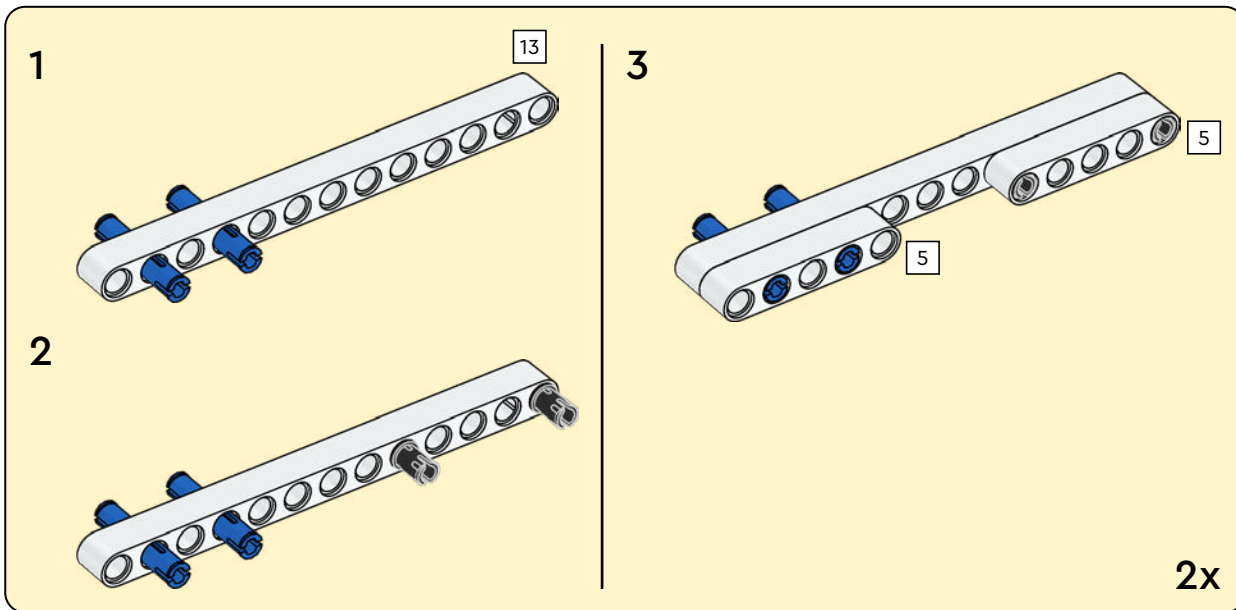


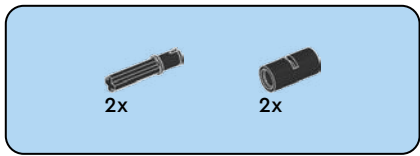
47



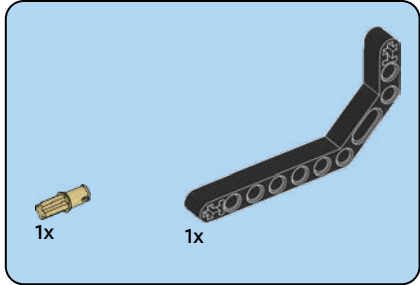
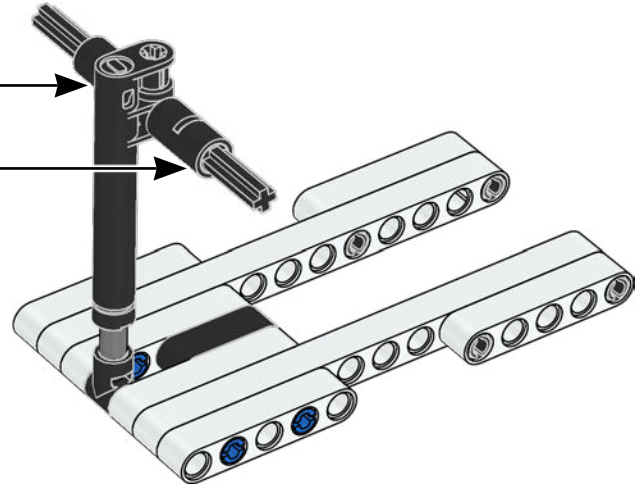
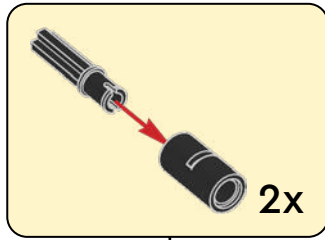


48

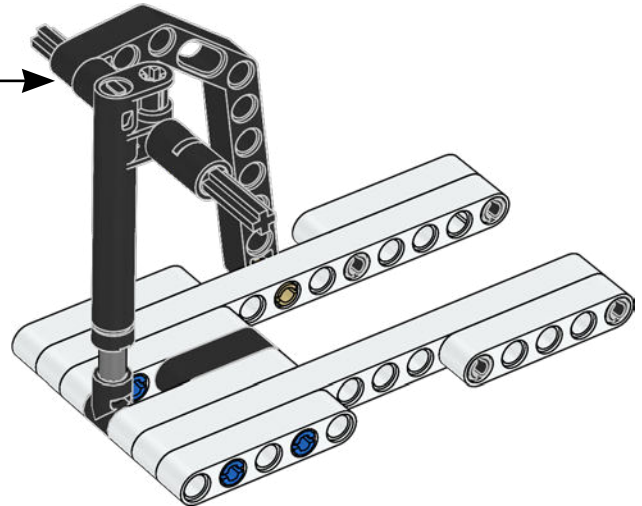
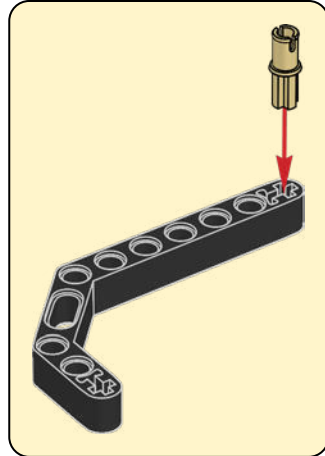


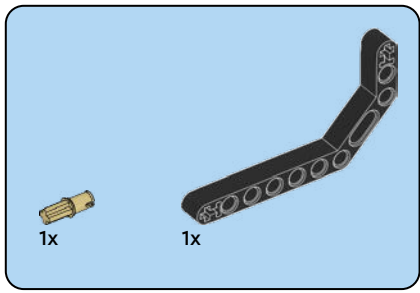


49

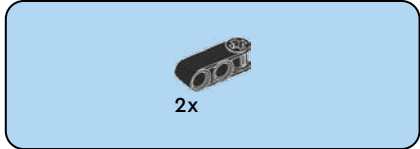
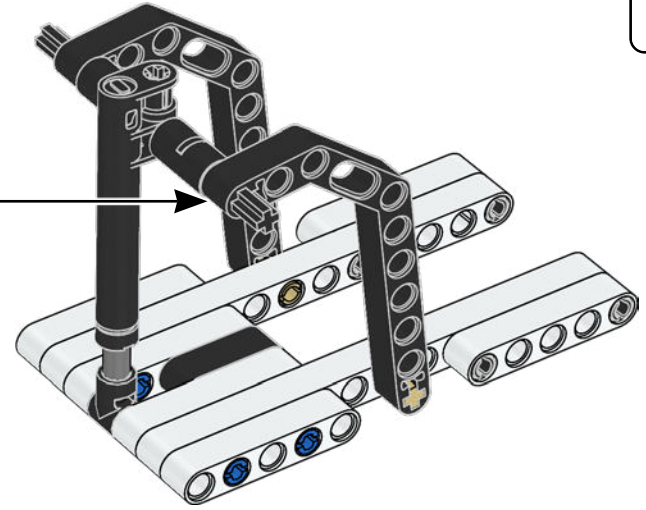
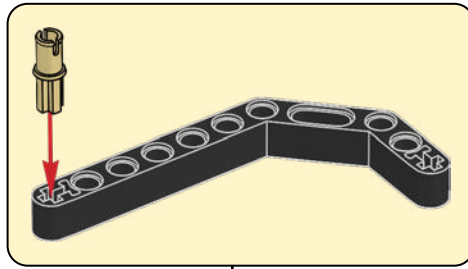


50

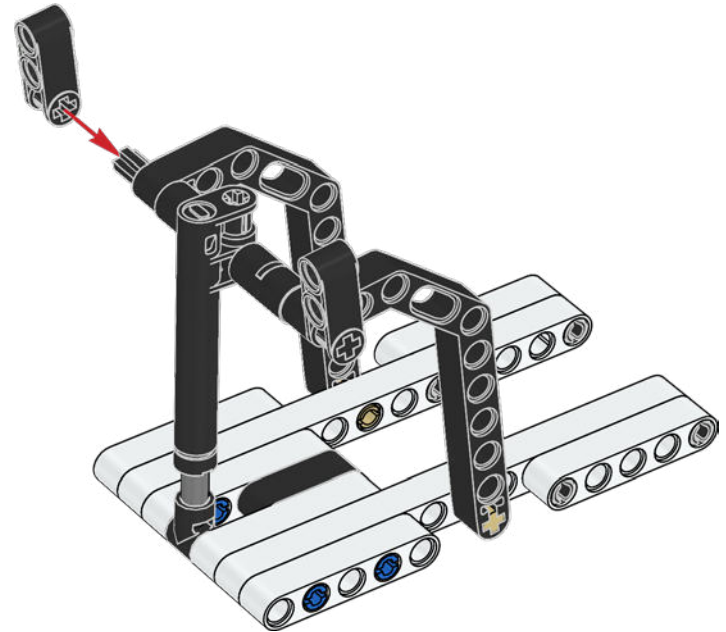


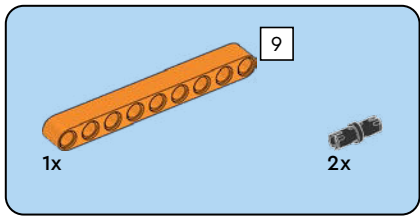


51

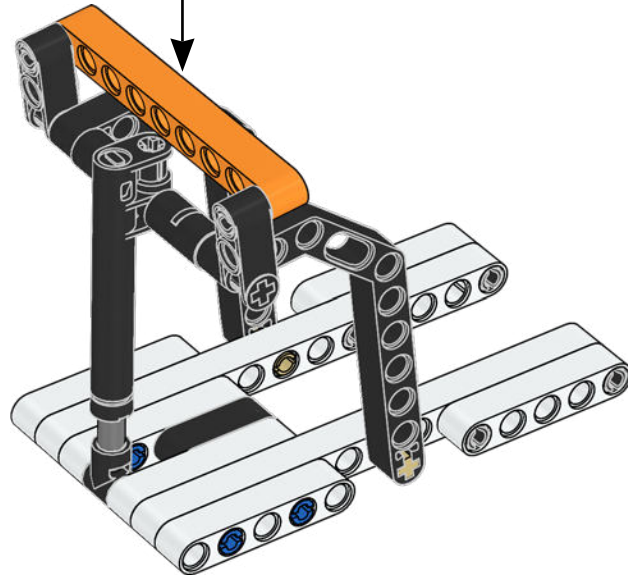
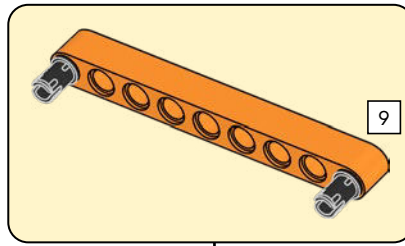


52



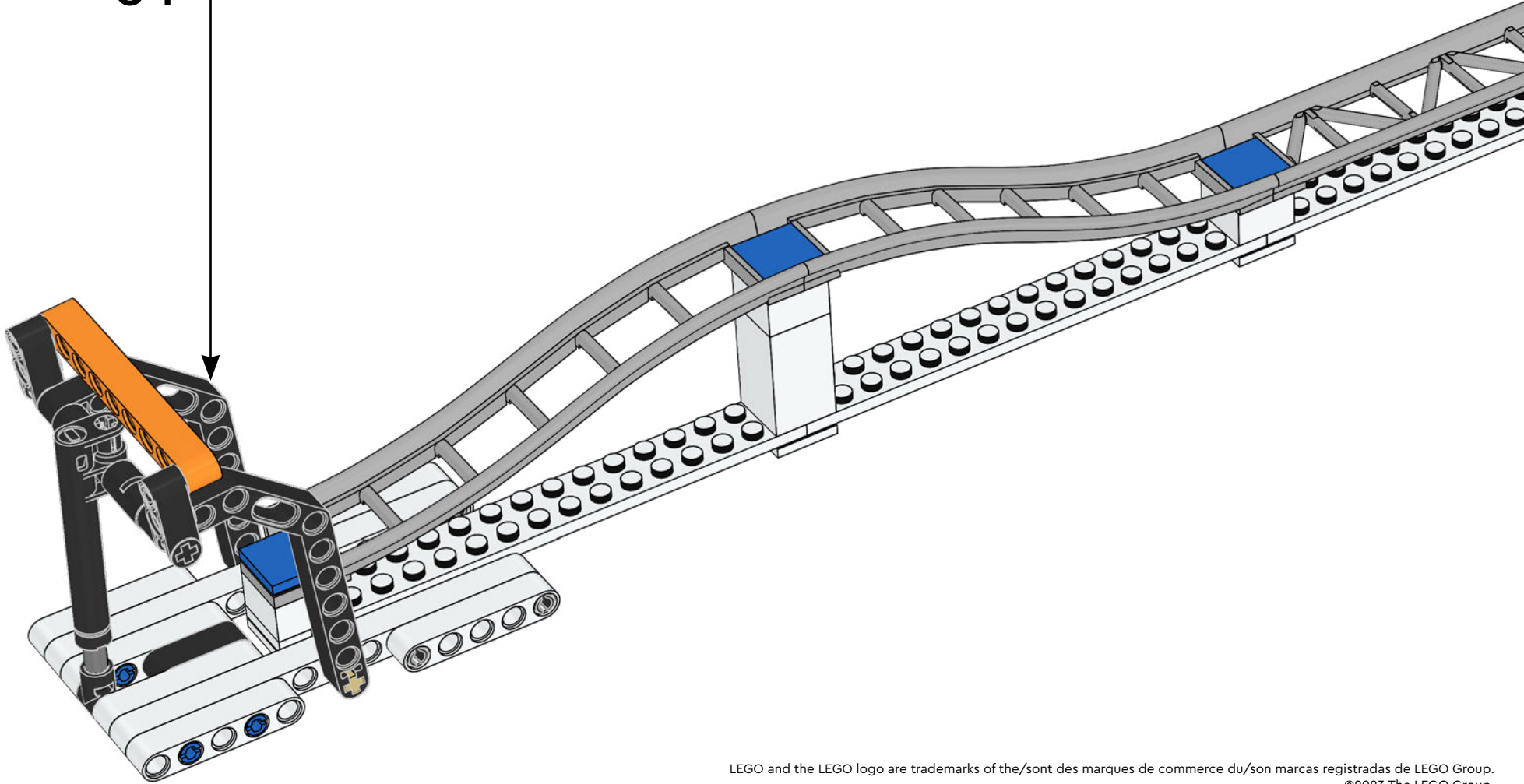


53





54



LEGO and the LEGO logo are trademarks of the/son des marques de commerce du/son marcas registradas de LEGO Group.
©2023 The LEGO Group.

FIRST® is a registered trademark of For Inspiration and Recognition of Science and Technology (FIRST). LEGO® is a registered trademark of the LEGO Group. FIRST® LEGO® League and MASTERPIECE™ are jointly held trademarks of FIRST and the LEGO Group.
©2023 FIRST and the LEGO Group. All rights reserved.