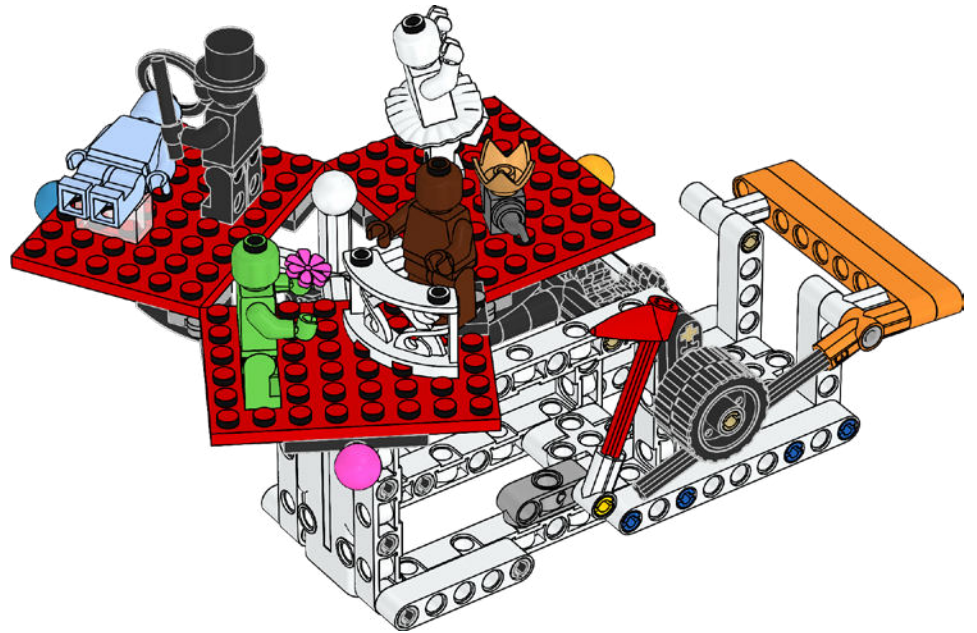
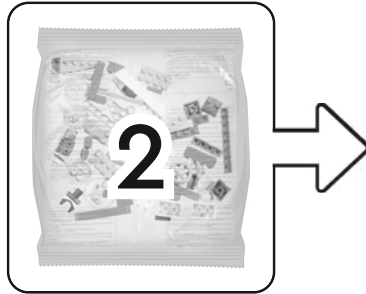
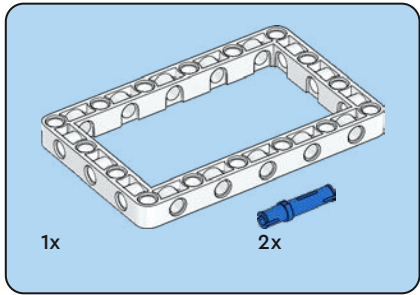
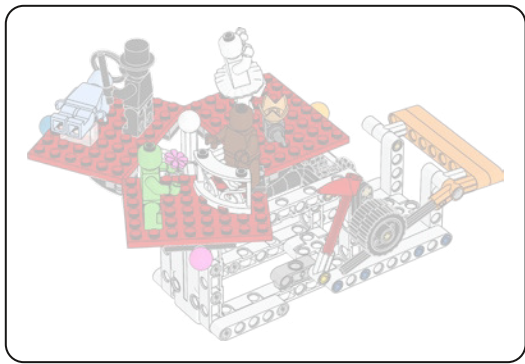


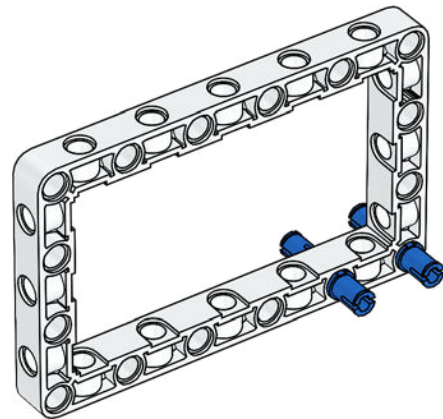
2x



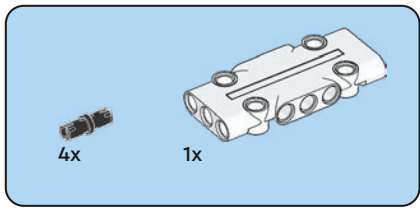
45823



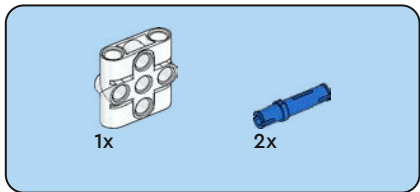
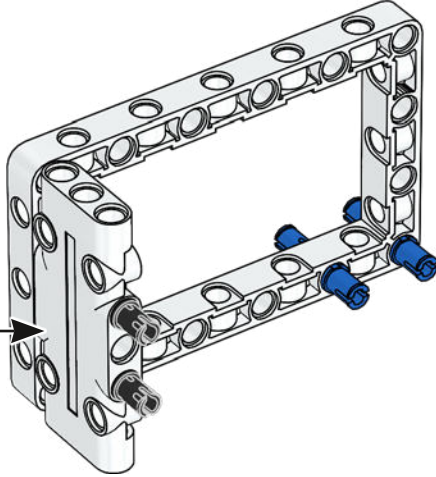
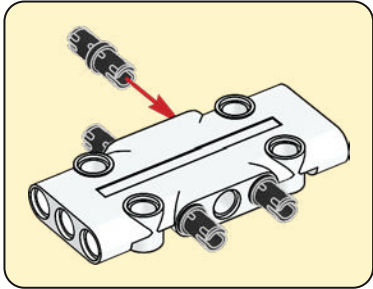
1



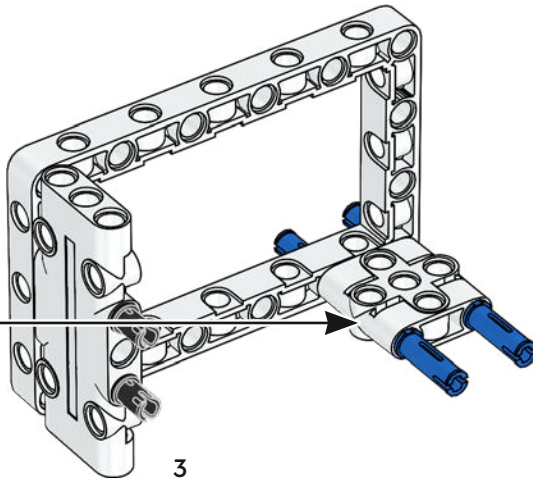
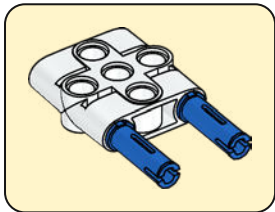
2



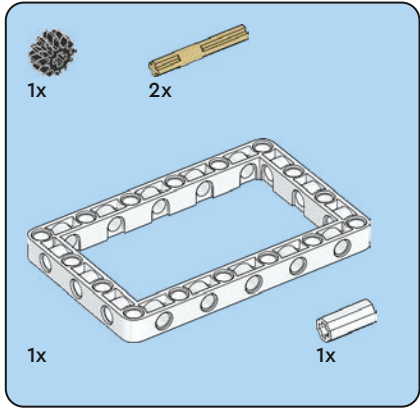
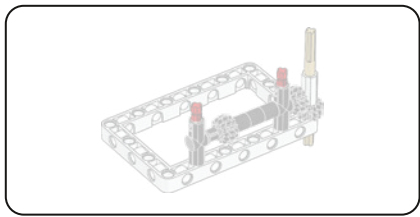
2



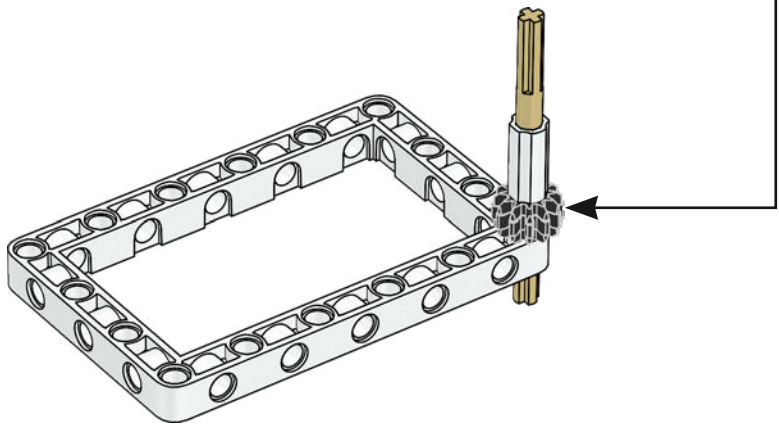
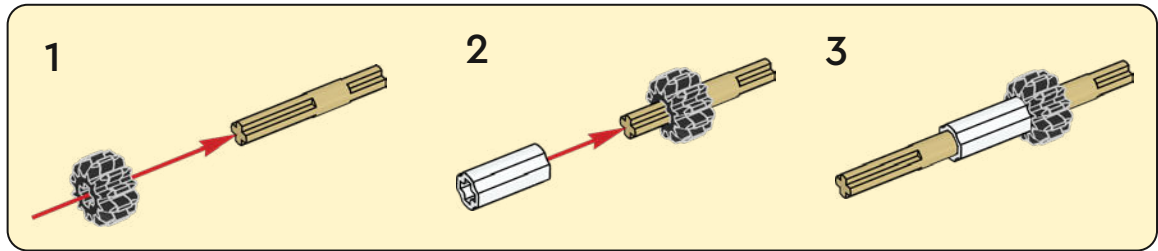
3



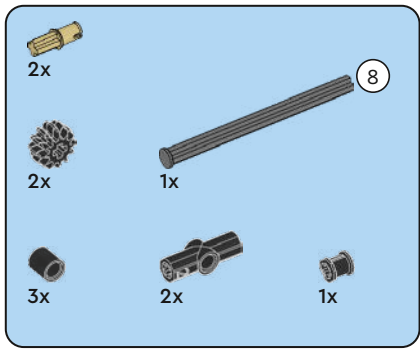
3



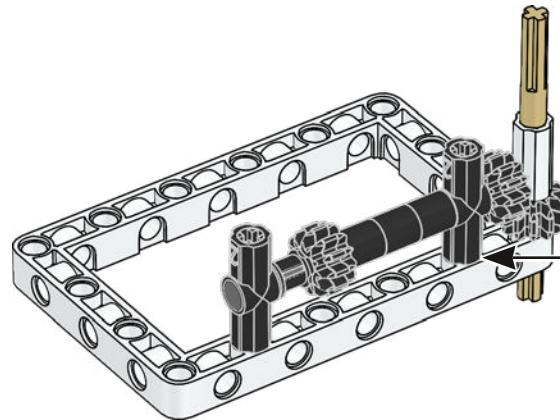
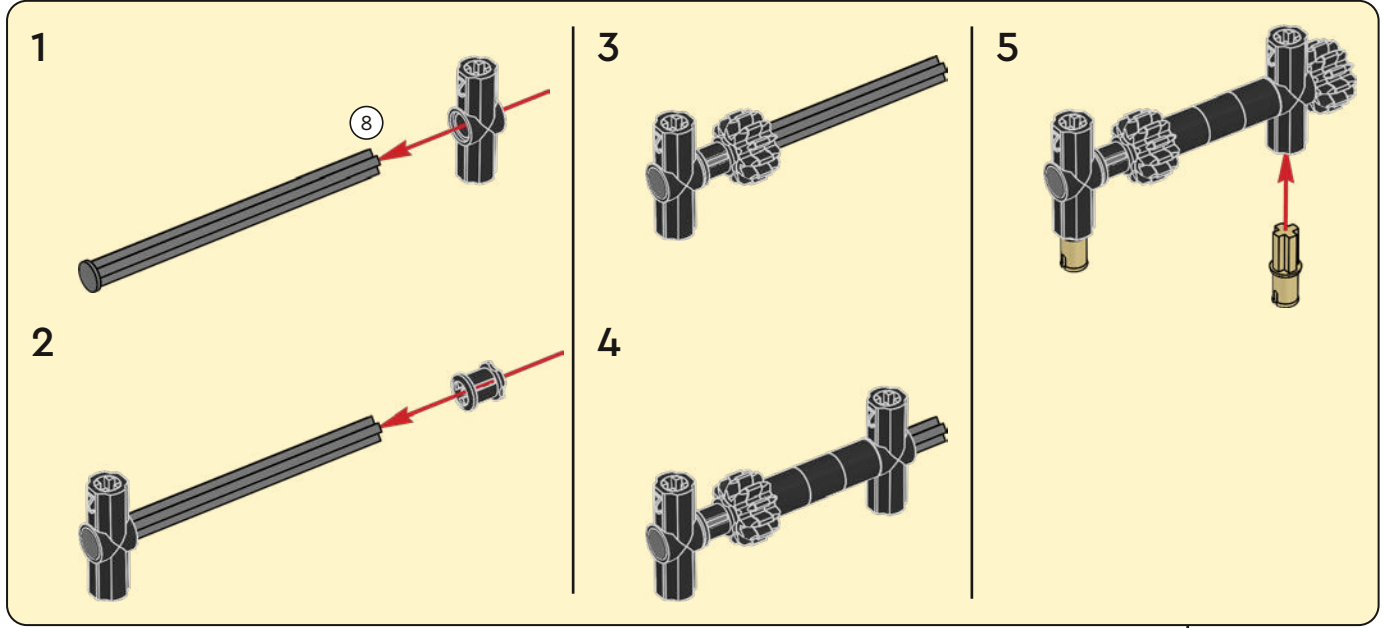
4



4



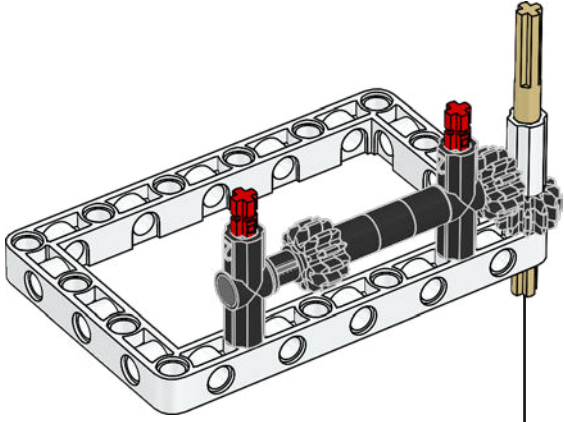
5



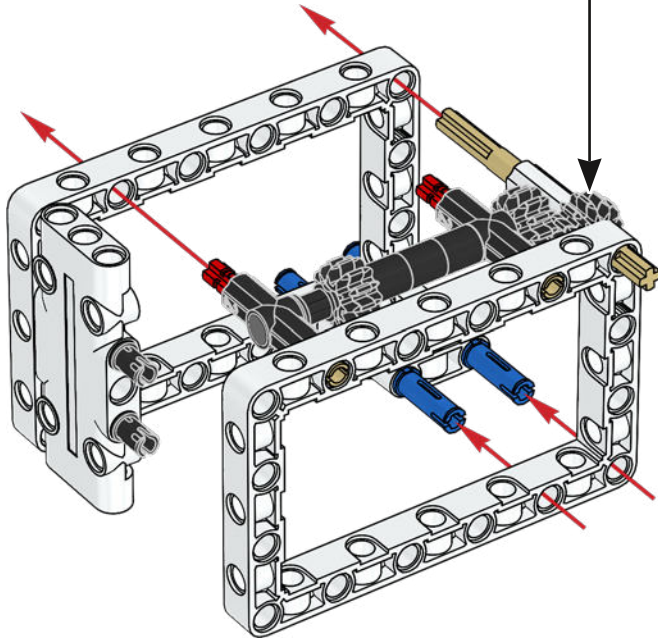
5

2x

6

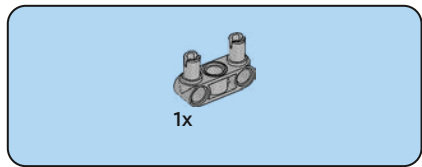


7

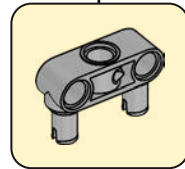
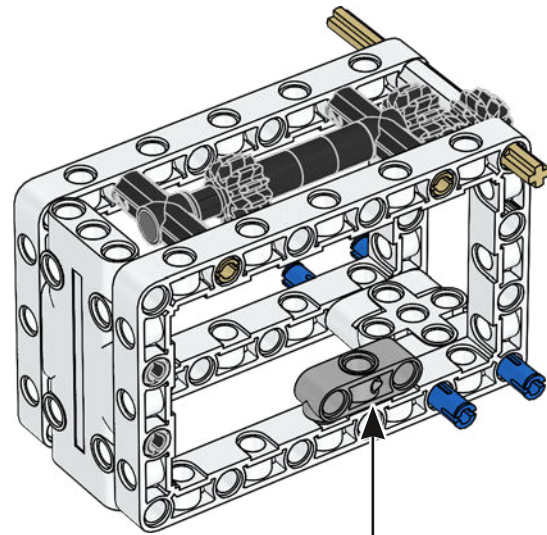


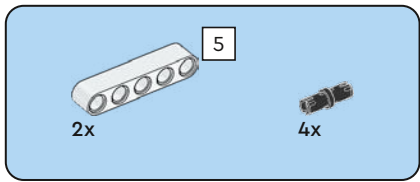
6



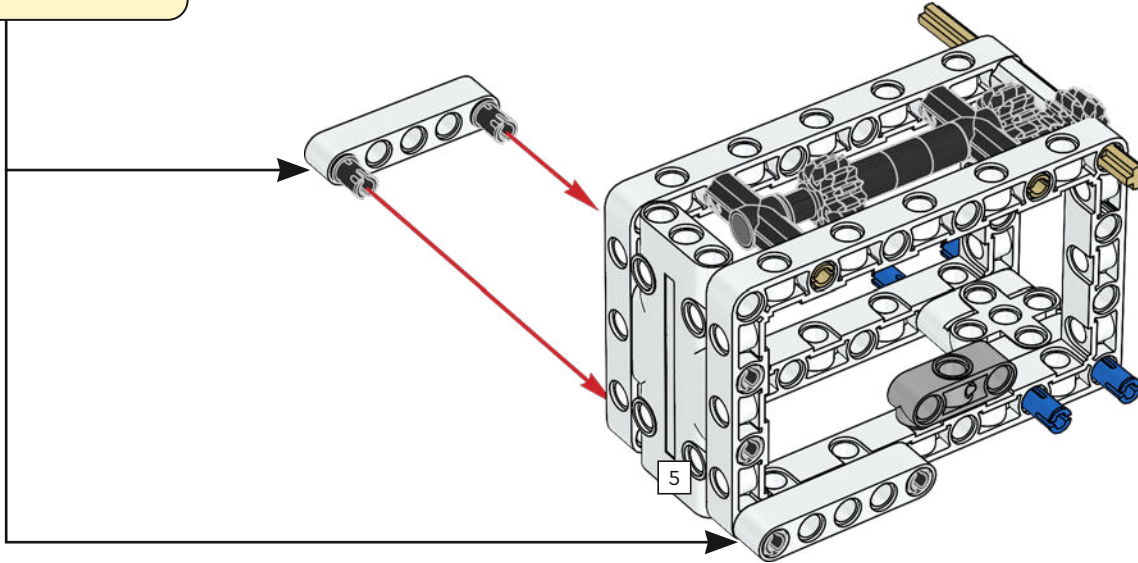
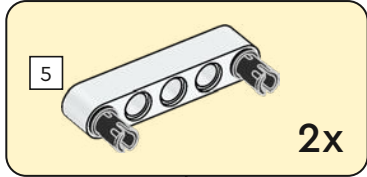


8

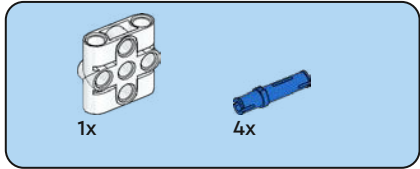
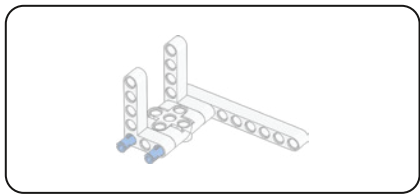




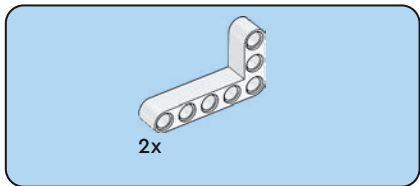
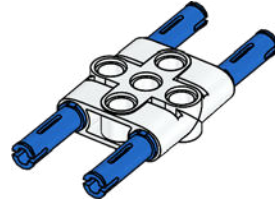
9



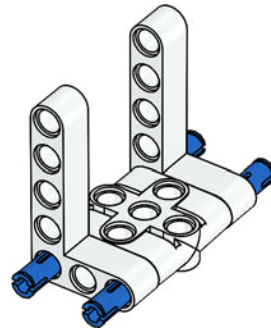


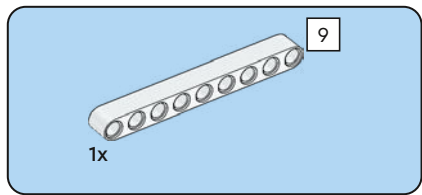


10

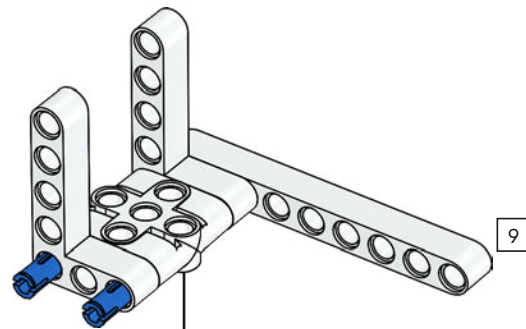


11

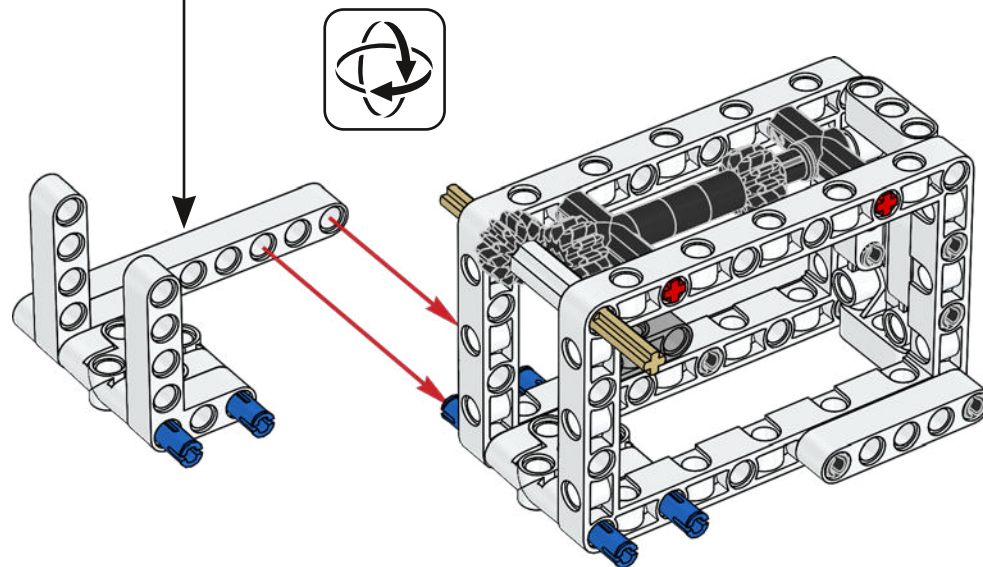


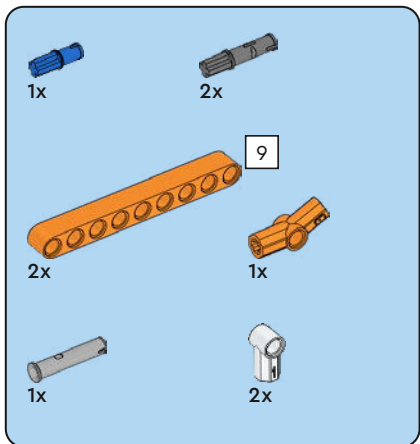


12

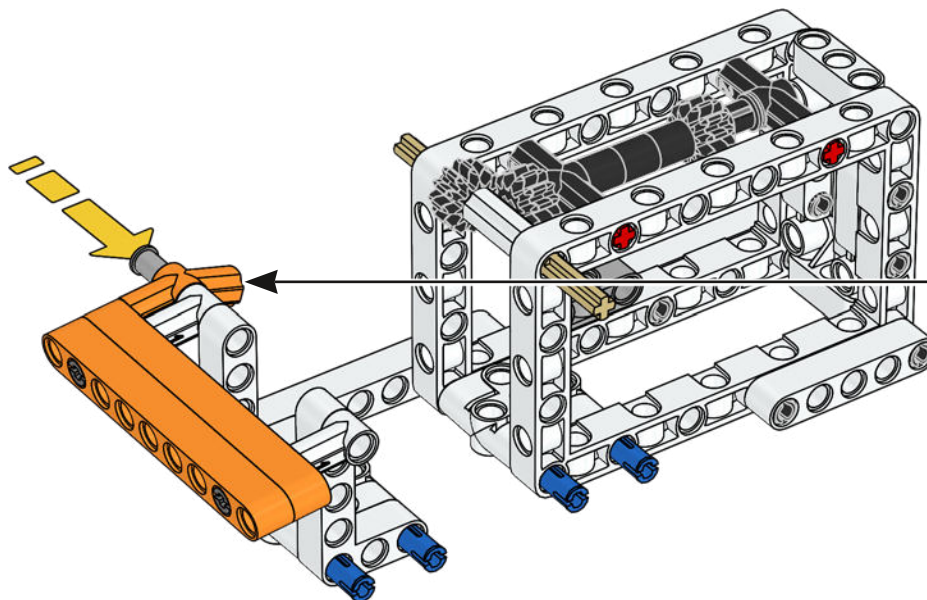
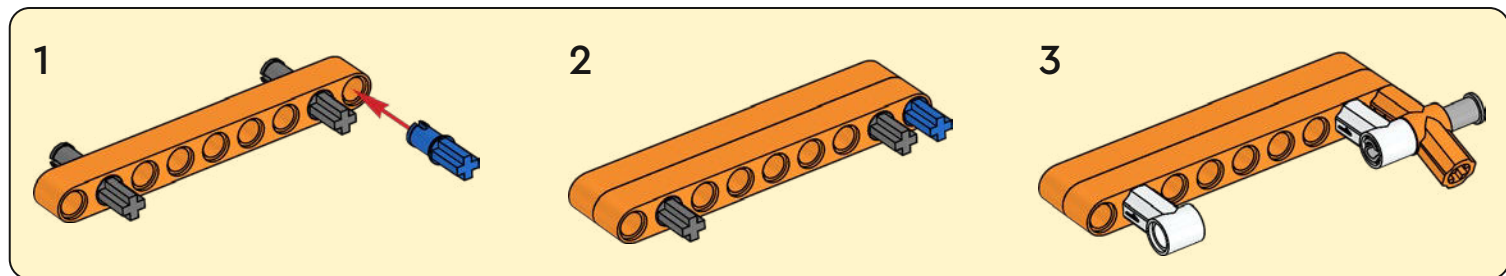


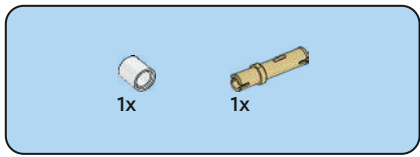
13



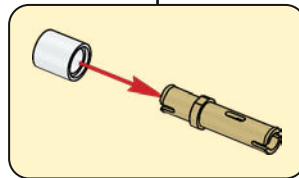
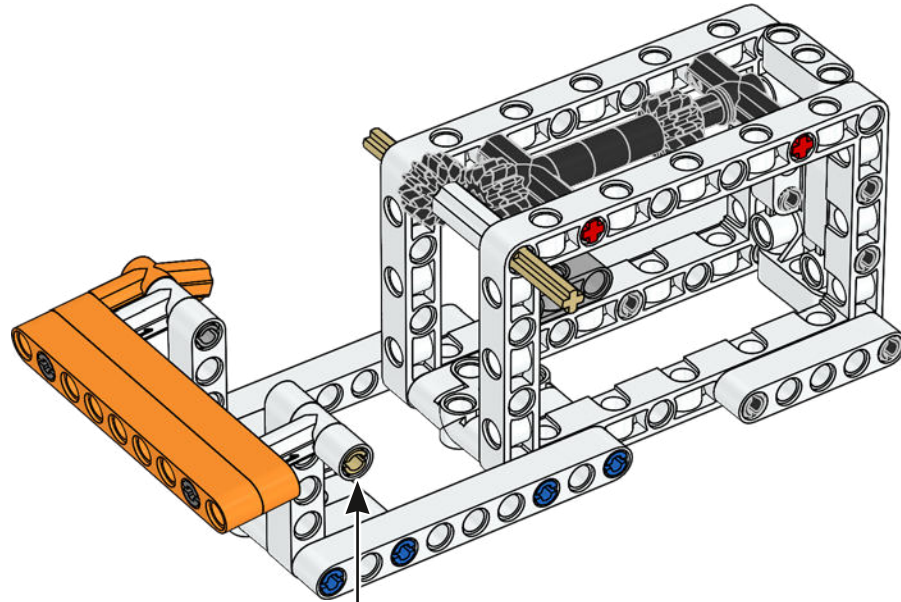


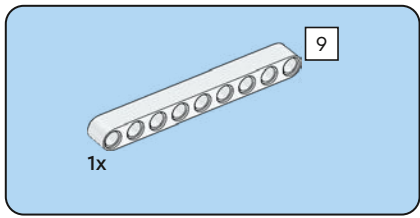
14



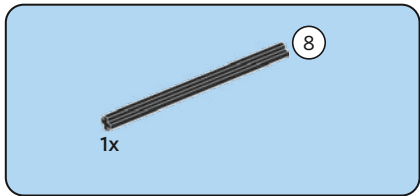
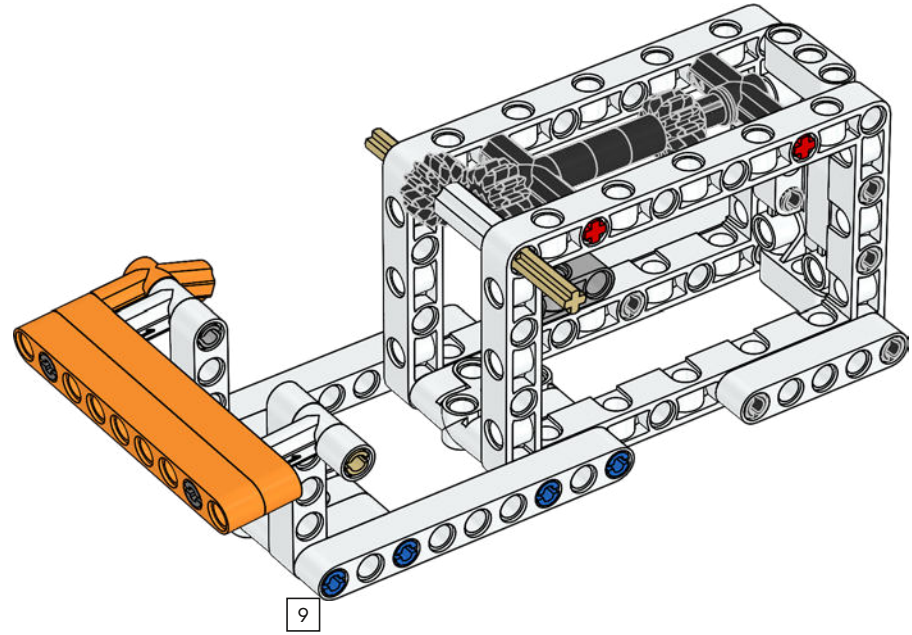


15

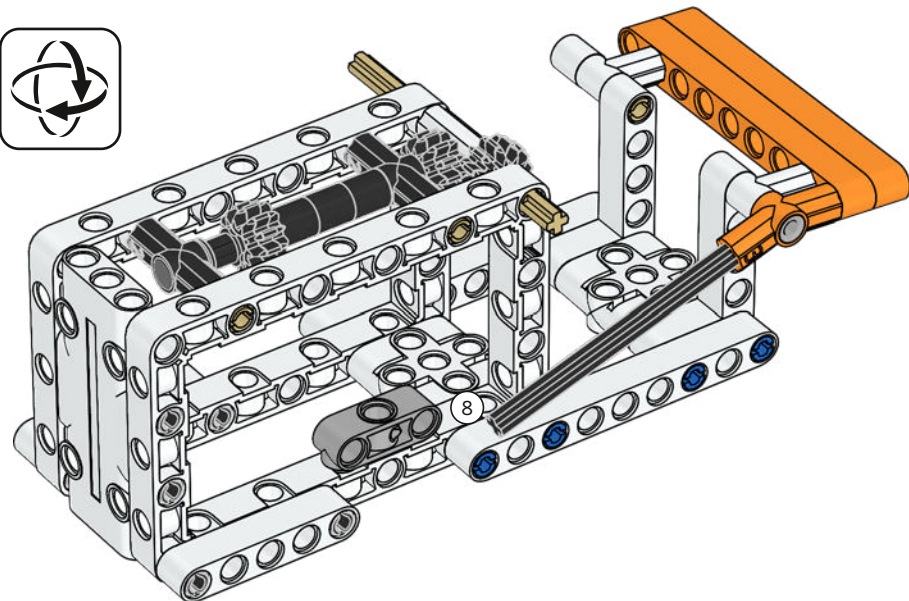
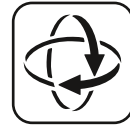




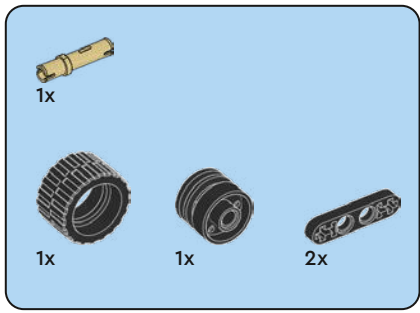
16



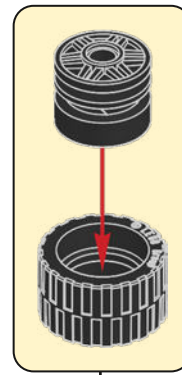
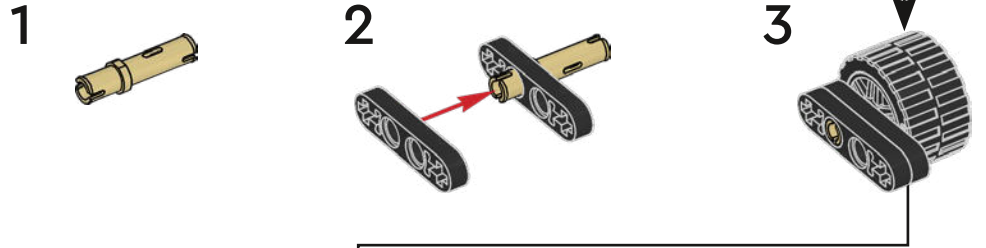
17



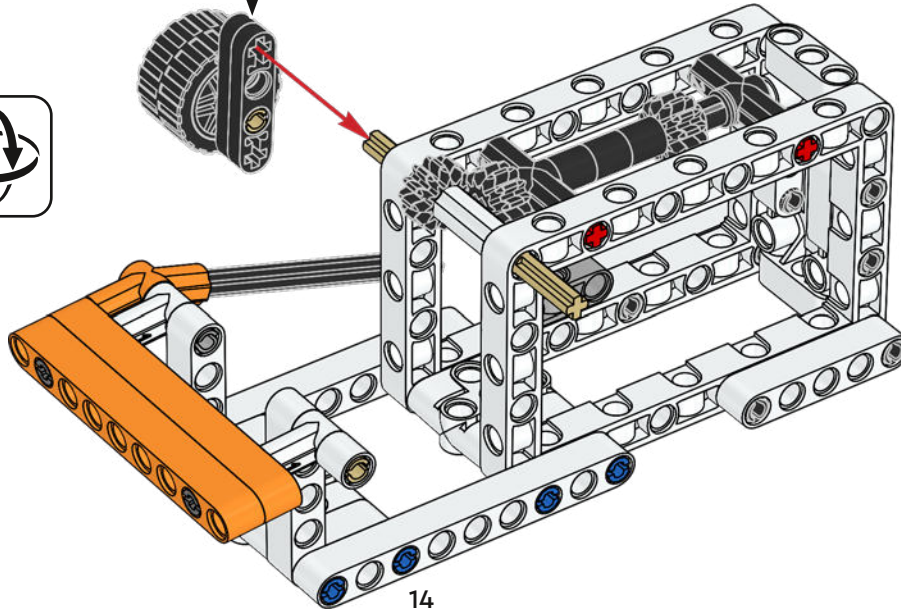




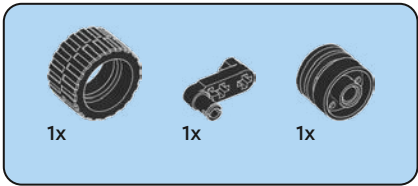
18



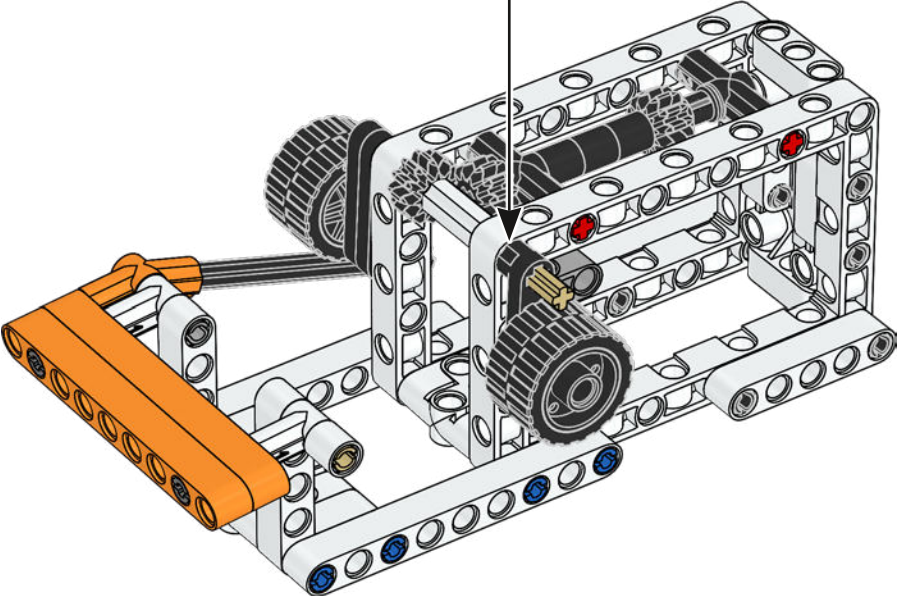
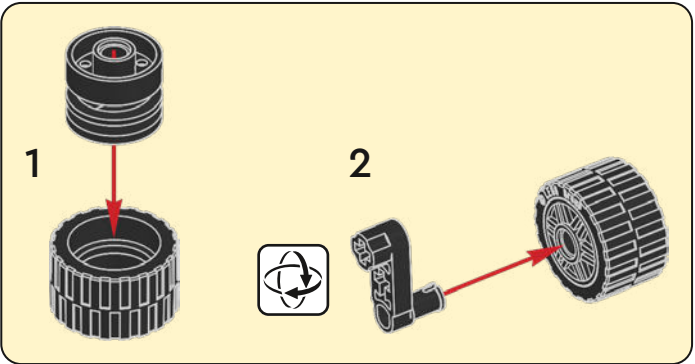
19

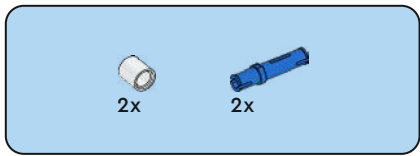




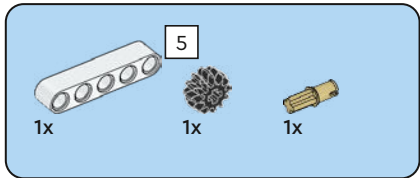
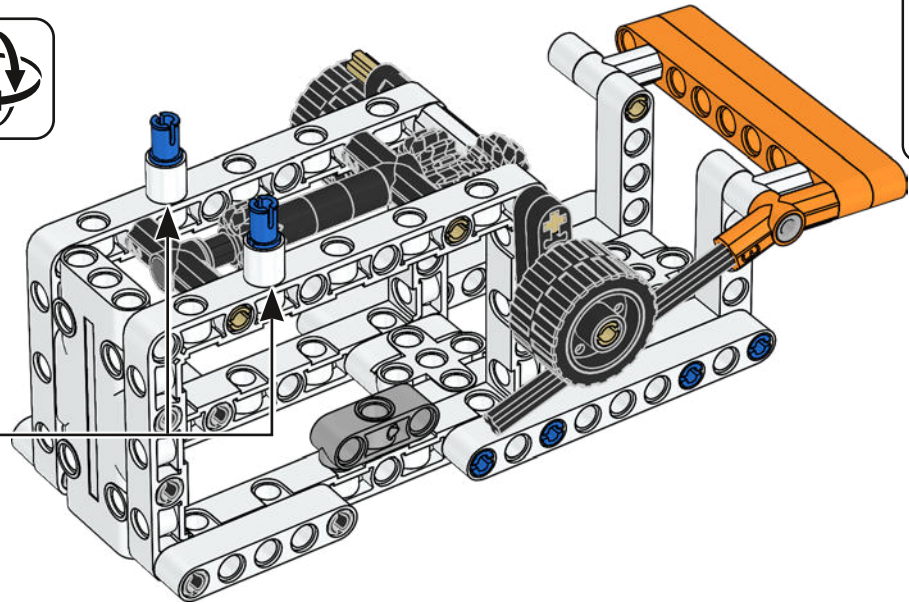
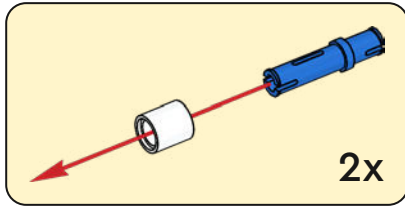


20

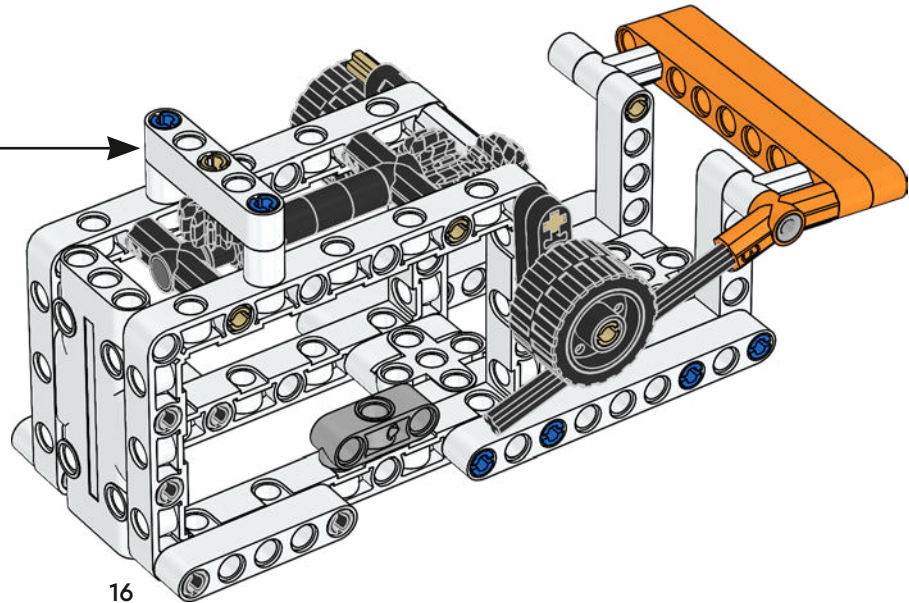
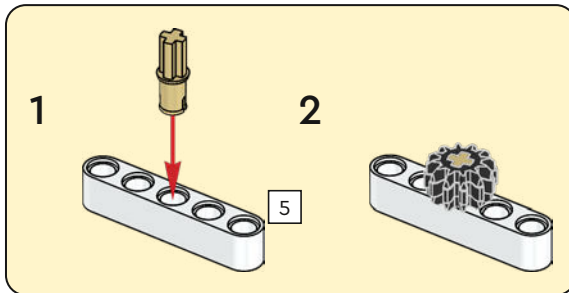


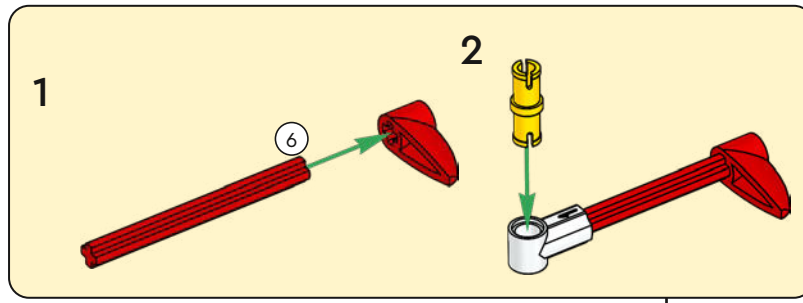
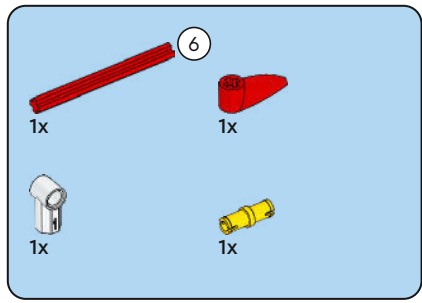


21

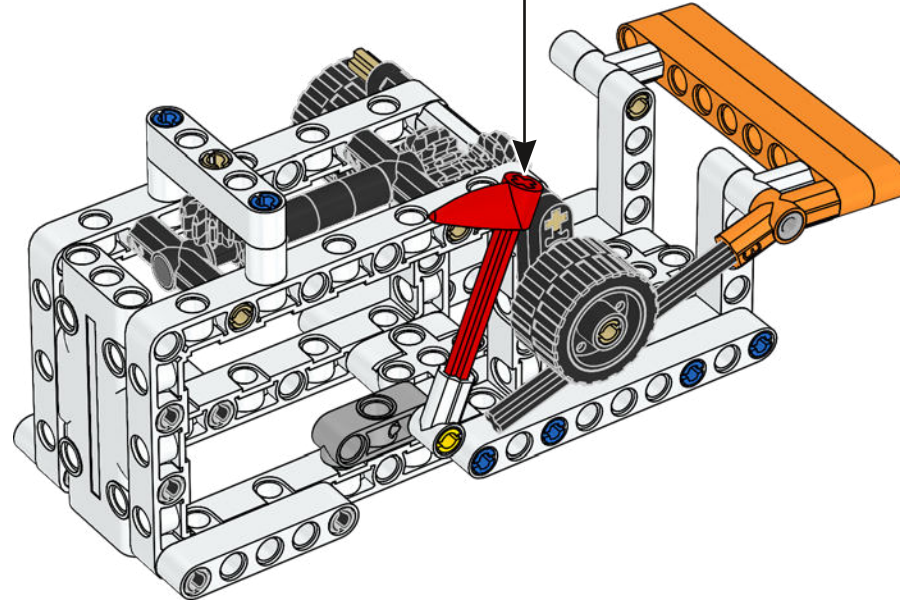


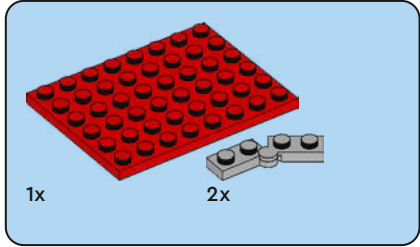
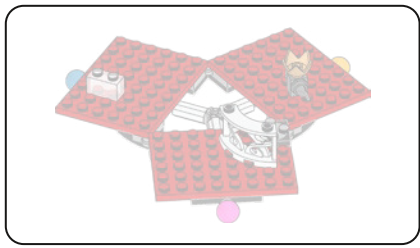
22



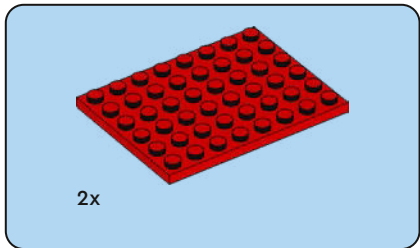
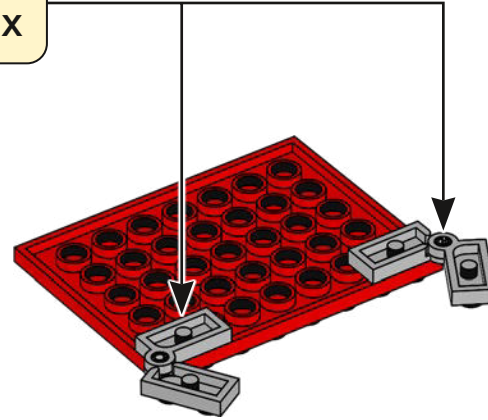
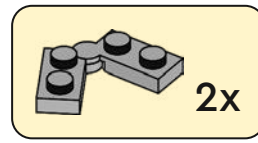


23

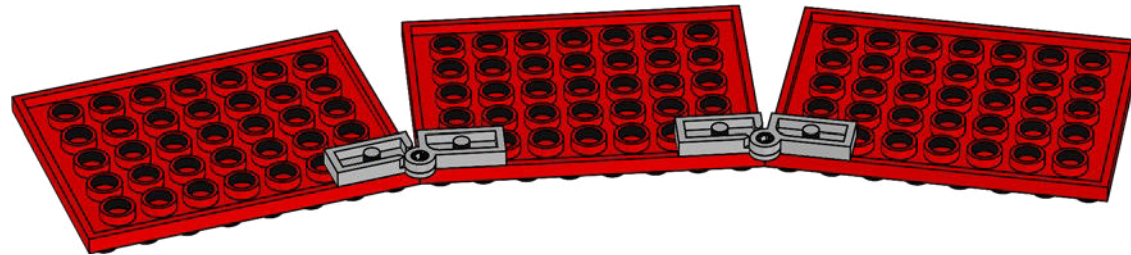




24



25

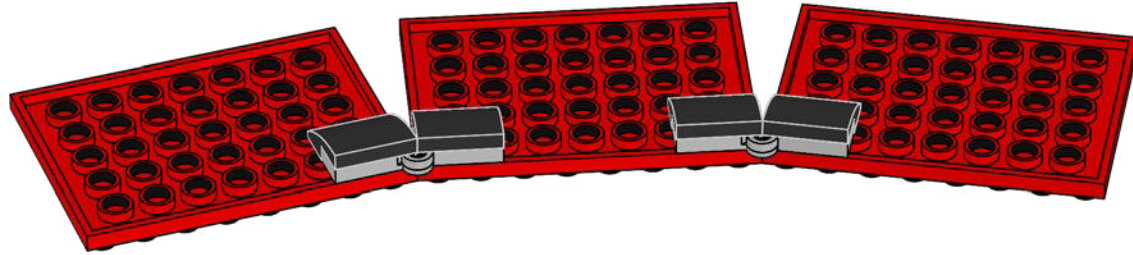






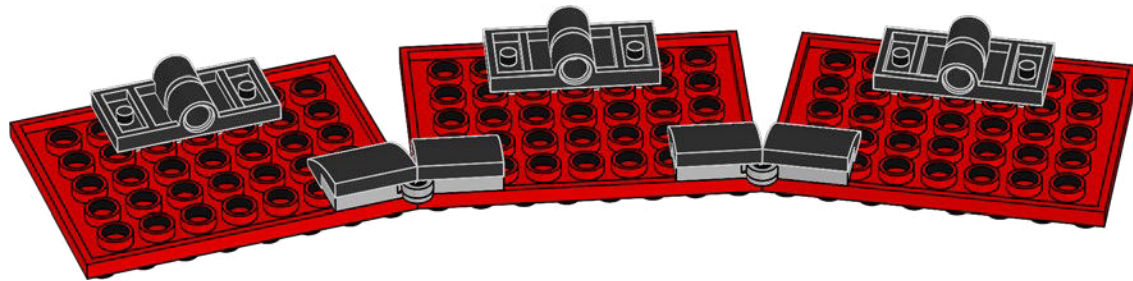
4x

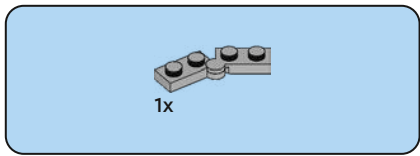
26



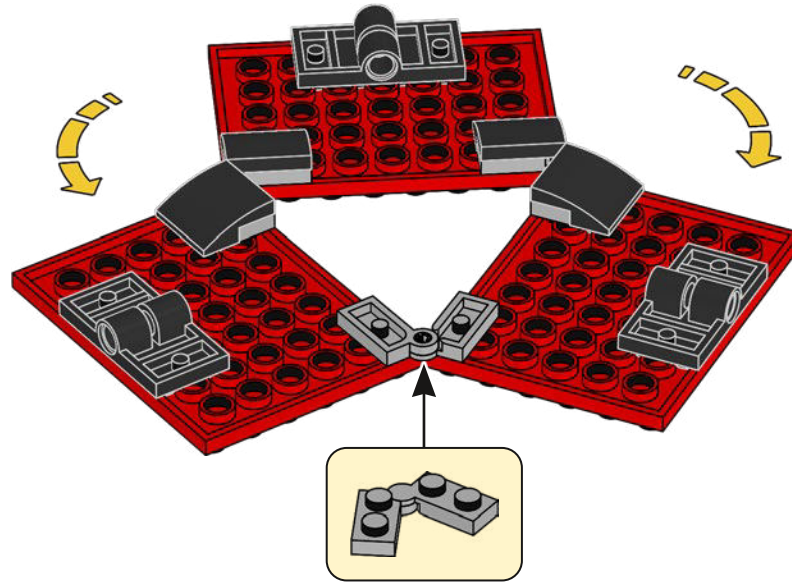
3x

27

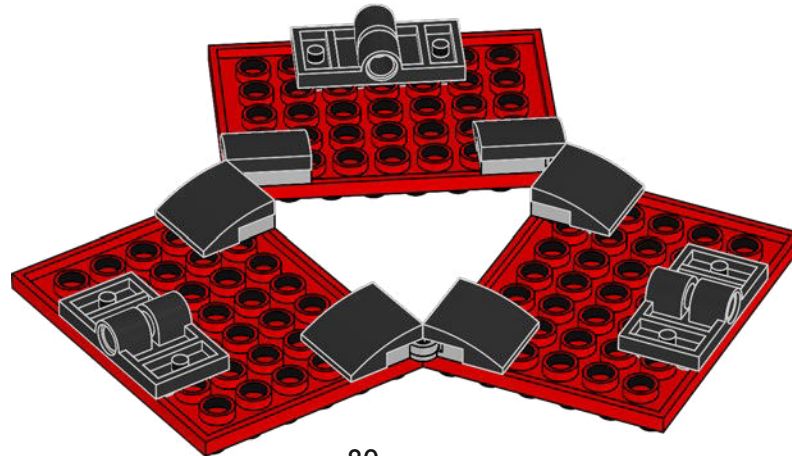
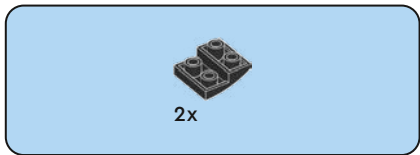




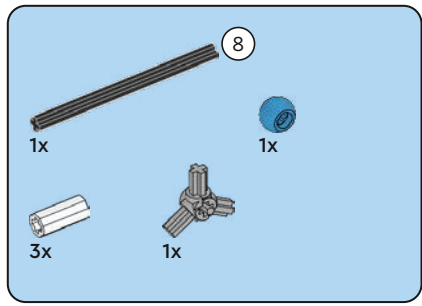
28



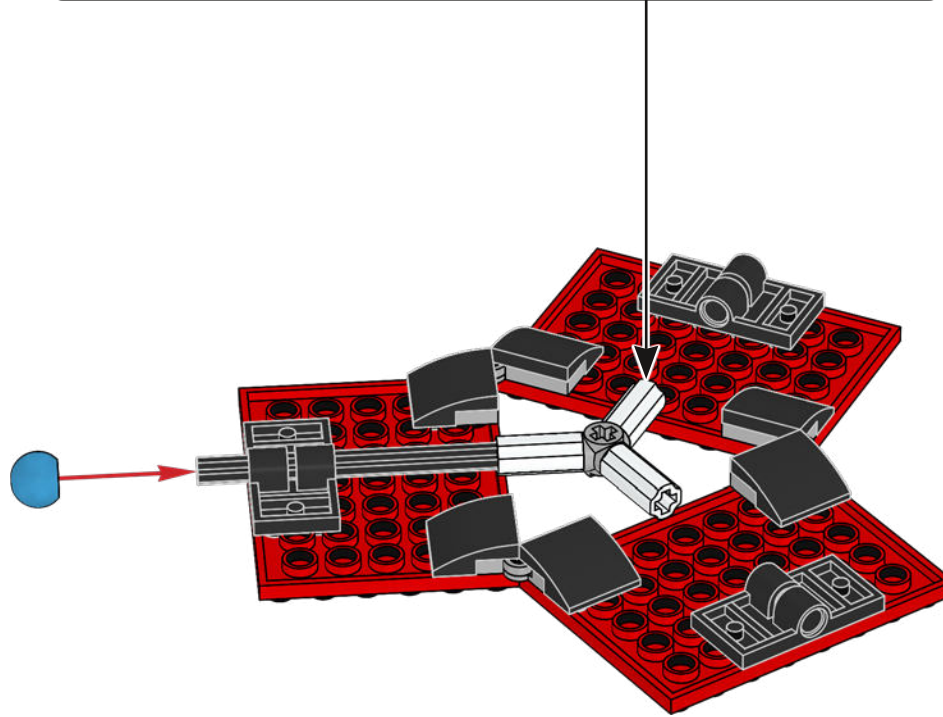
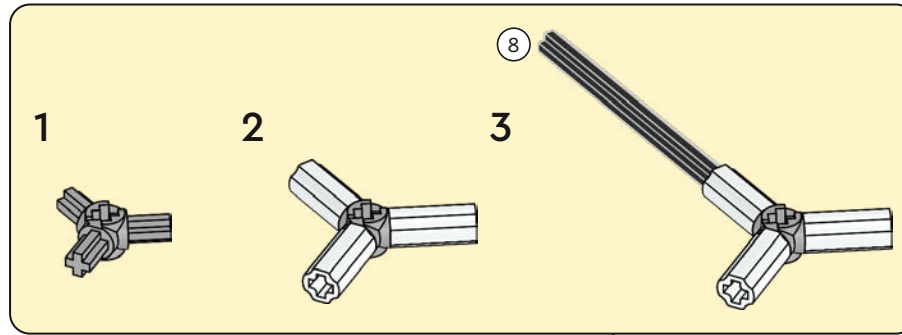
29

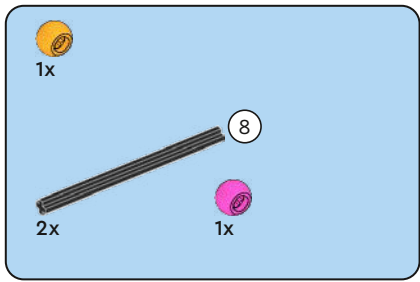




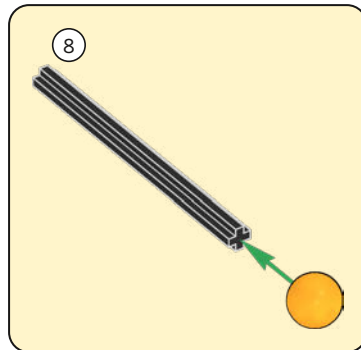
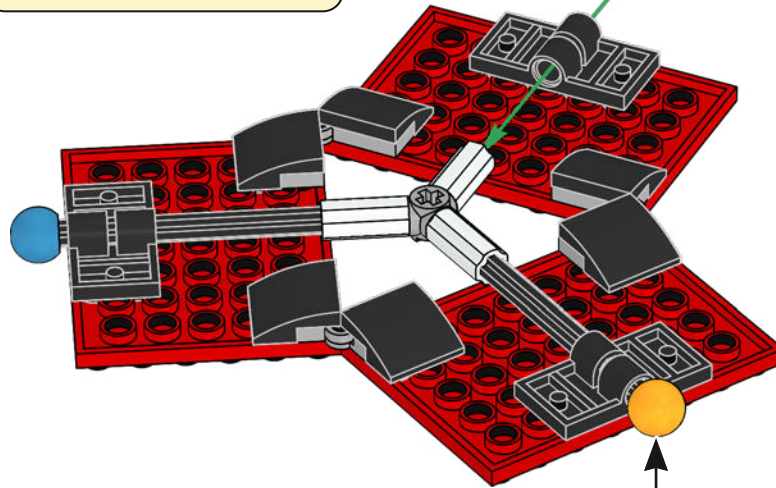
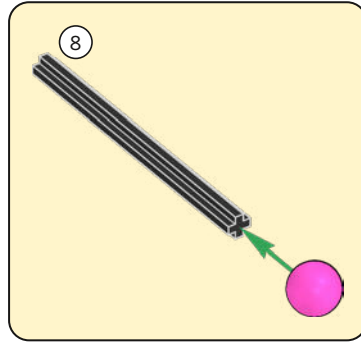


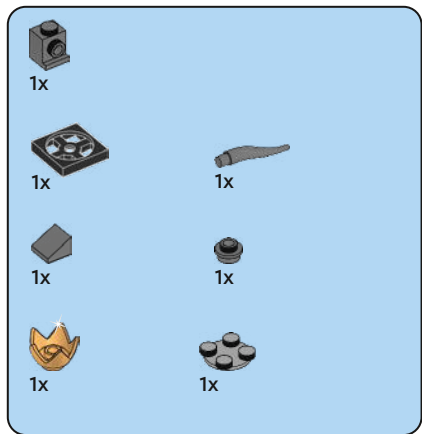
30



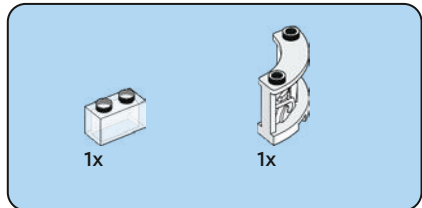
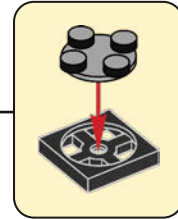
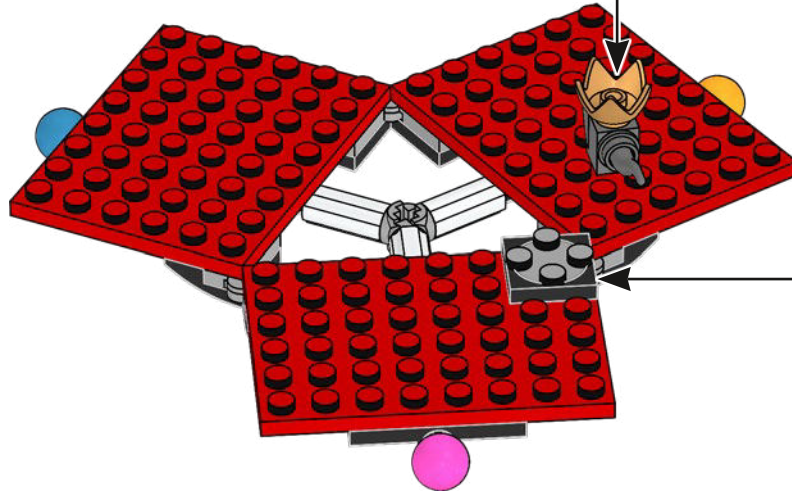
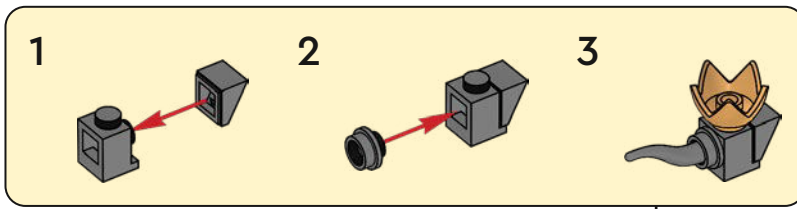


31

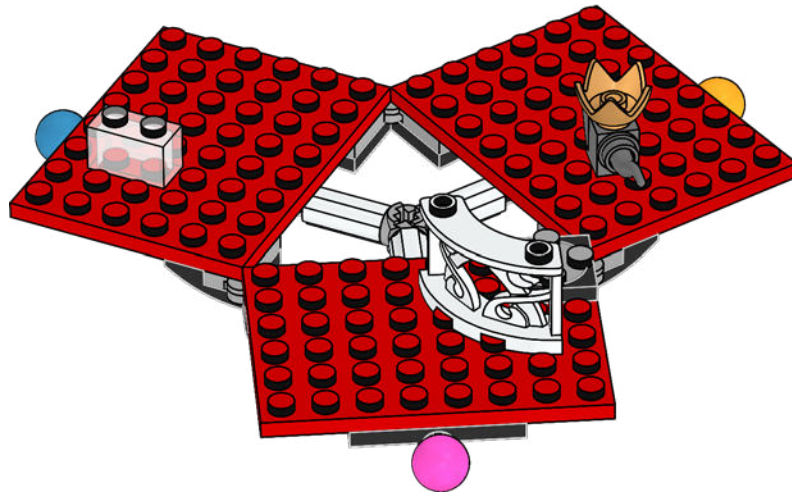




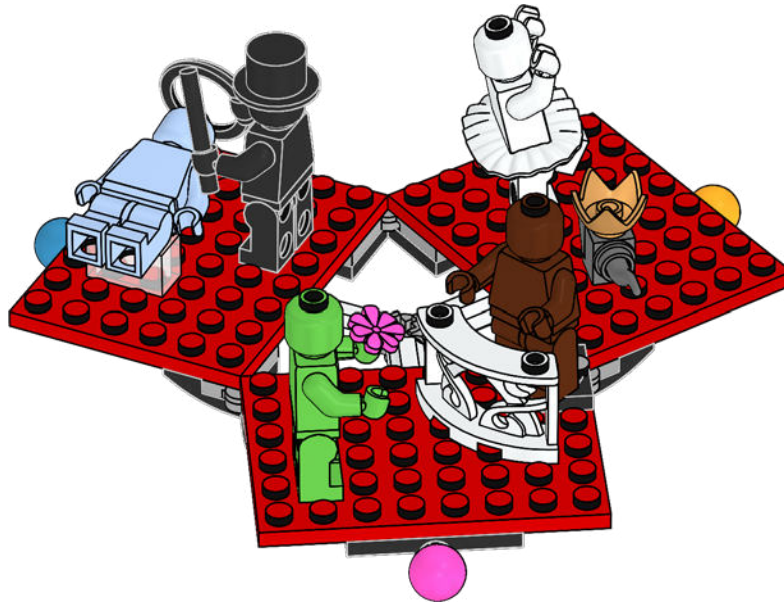
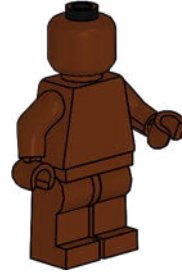
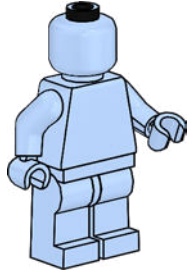
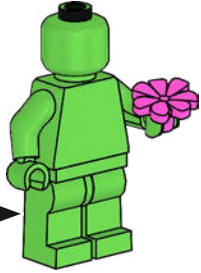
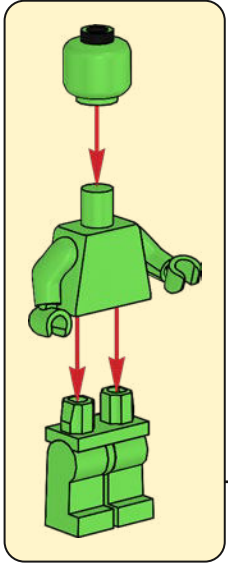
32

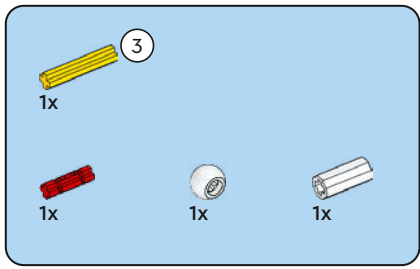


33

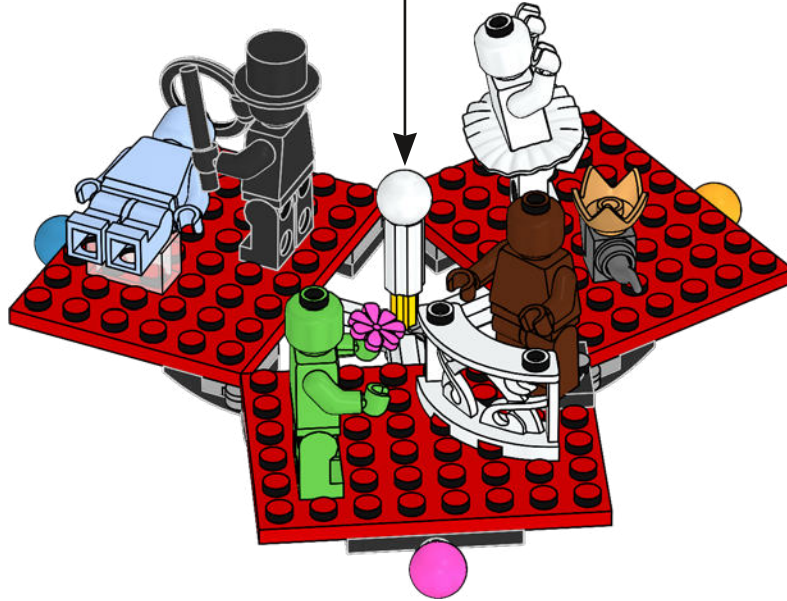
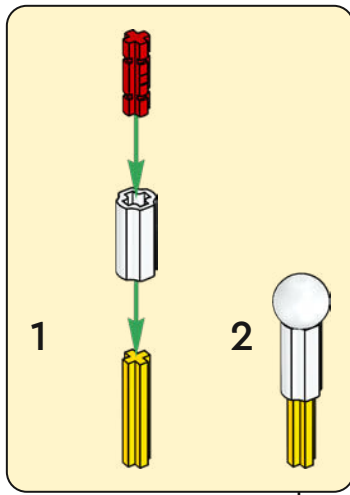


34

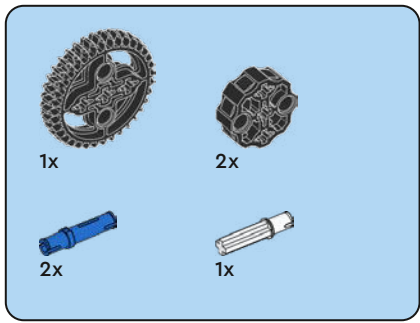




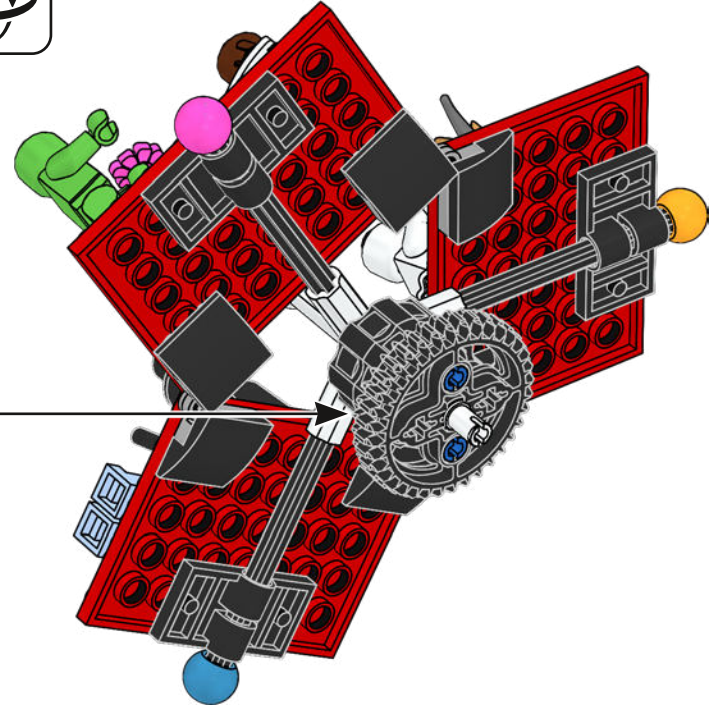
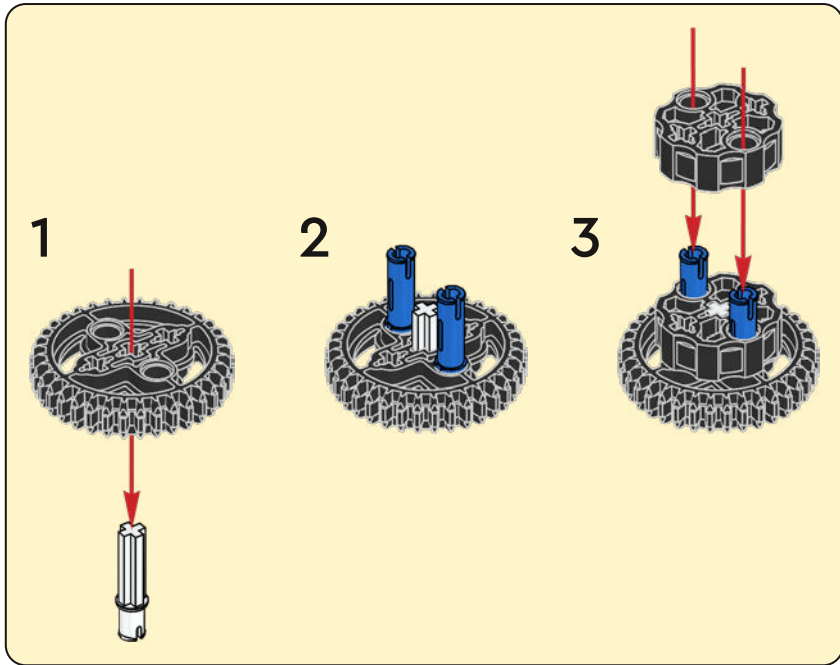
35



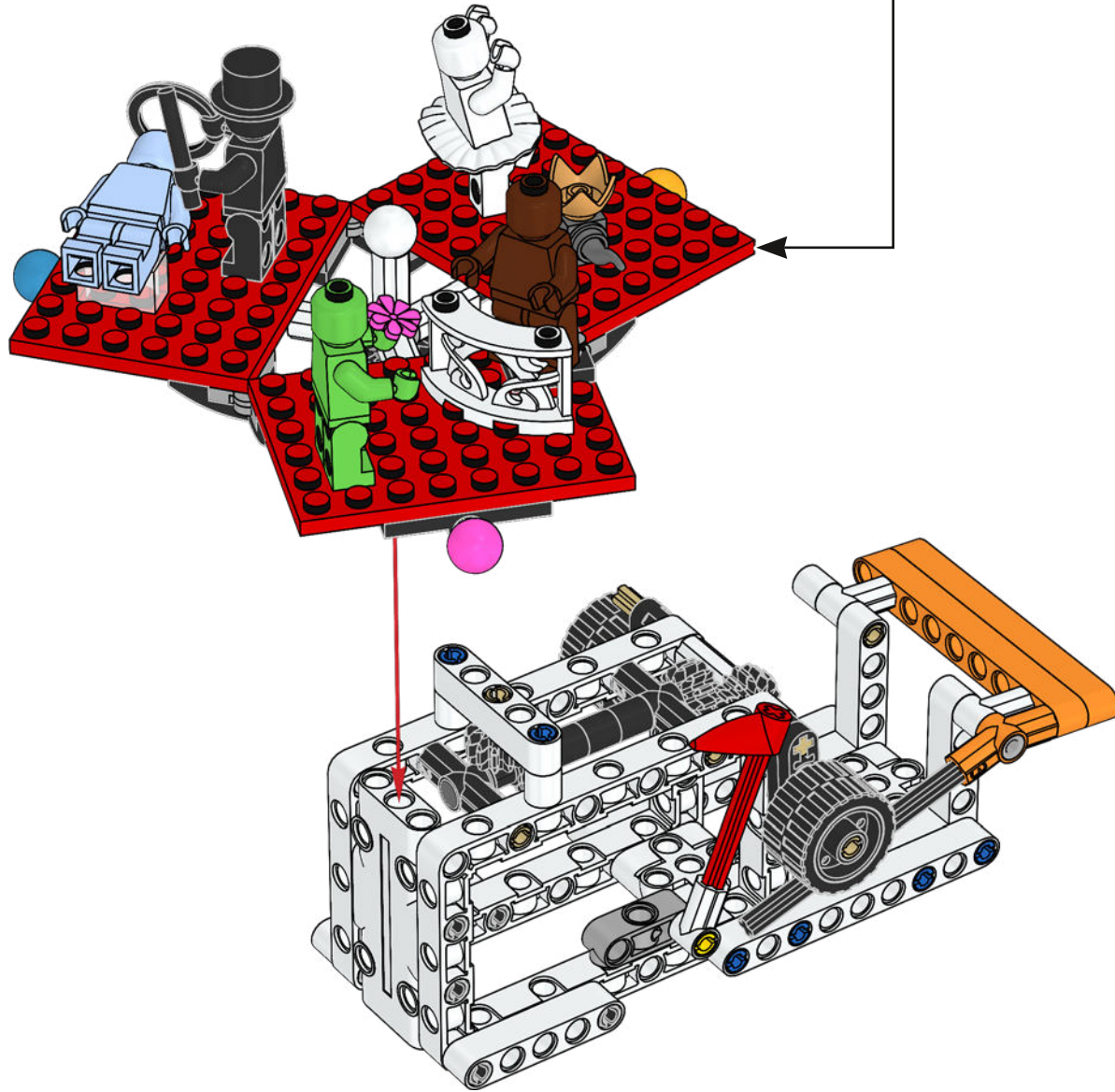


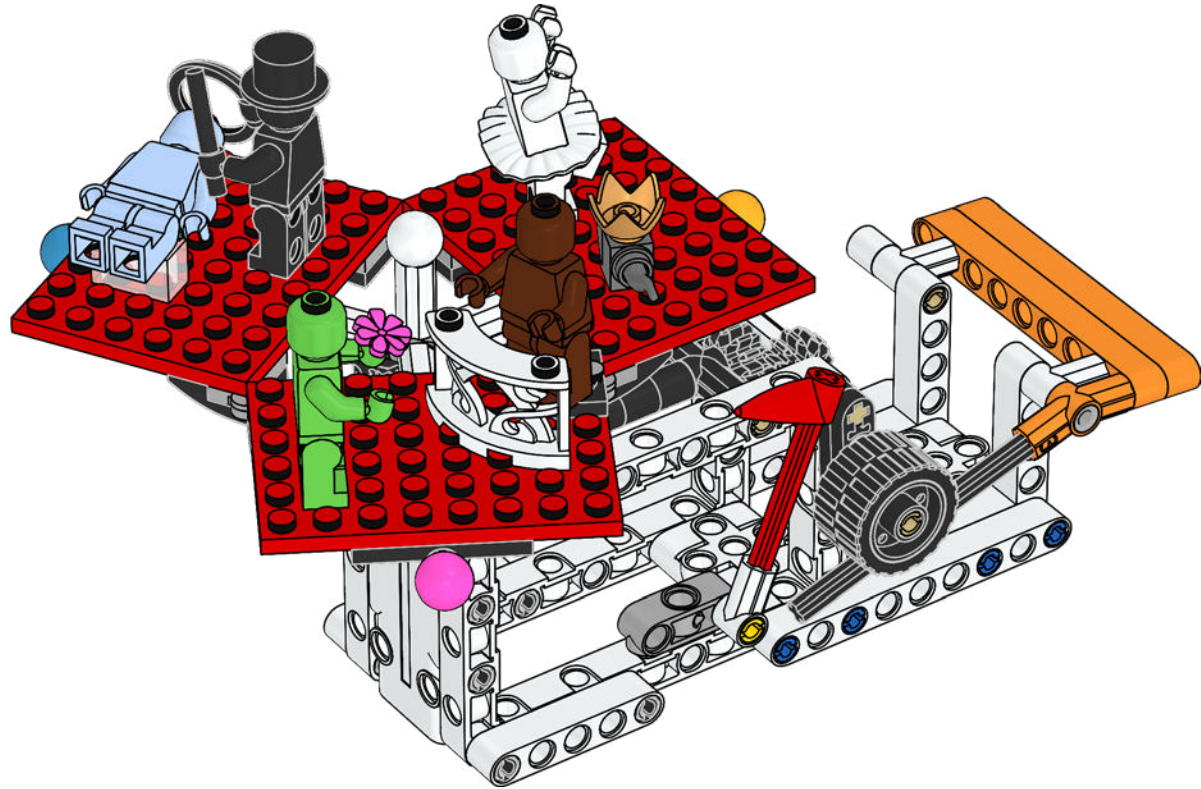


36









LEGO and the LEGO logo are trademarks of the/son des marques de commerce du/son marcas registradas de LEGO Group. ©2023 The LEGO Group.

FIRST® is a registered trademark of For Inspiration and Recognition of Science and Technology (FIRST). LEGO® is a registered trademark of the LEGO Group. FIRST® LEGO® League and MASTERPIECE™ are jointly held trademarks of FIRST and the LEGO Group. ©2023 FIRST and the LEGO Group. All rights reserved.