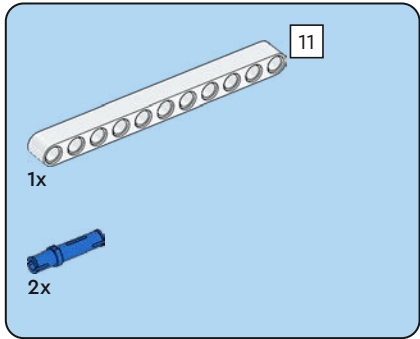
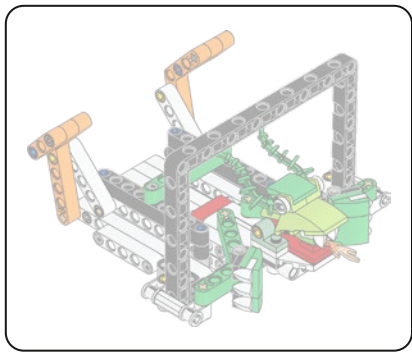
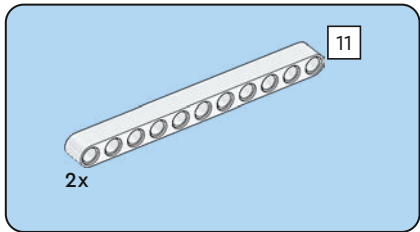
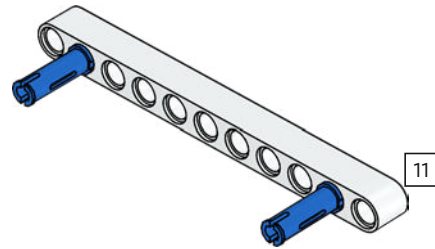


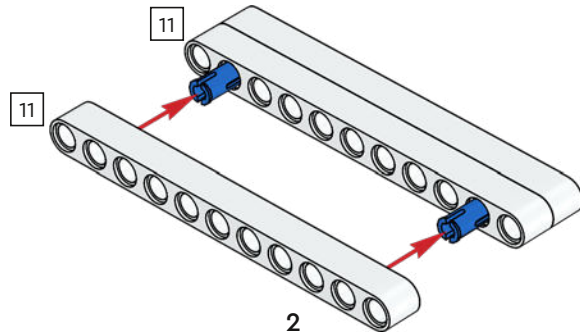
45823



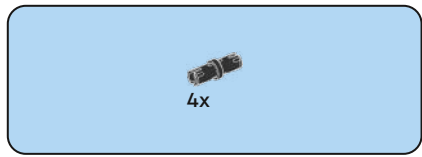
1



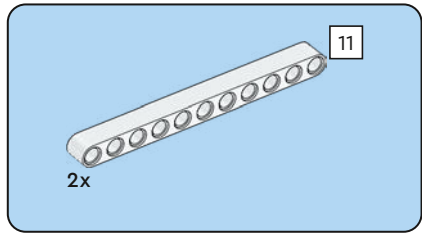
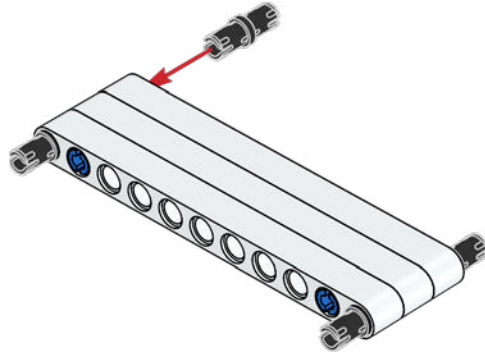
2



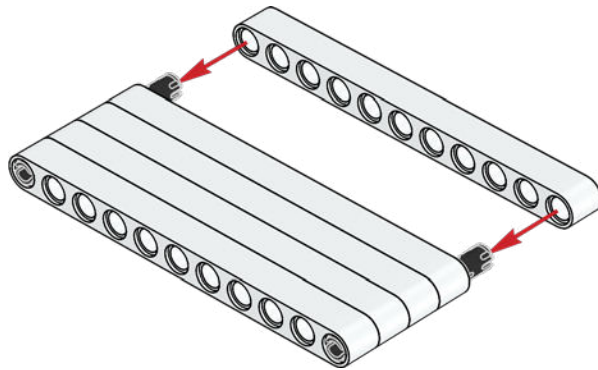
2



3

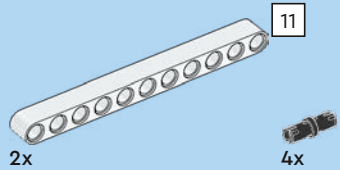
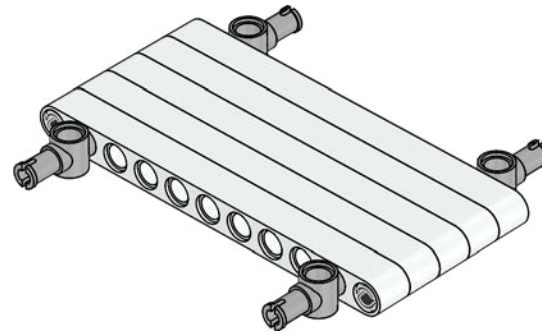


4

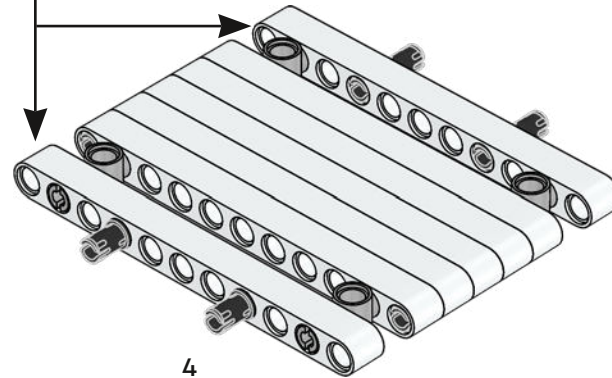
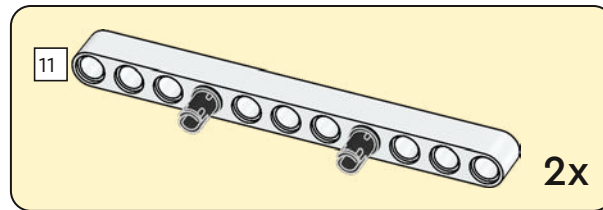


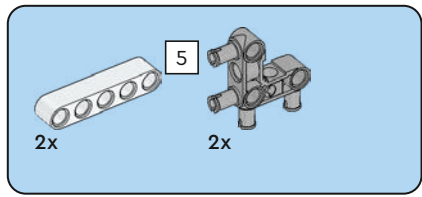


5

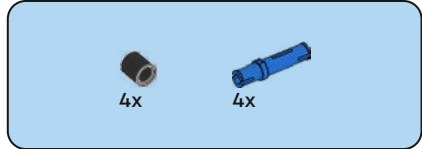
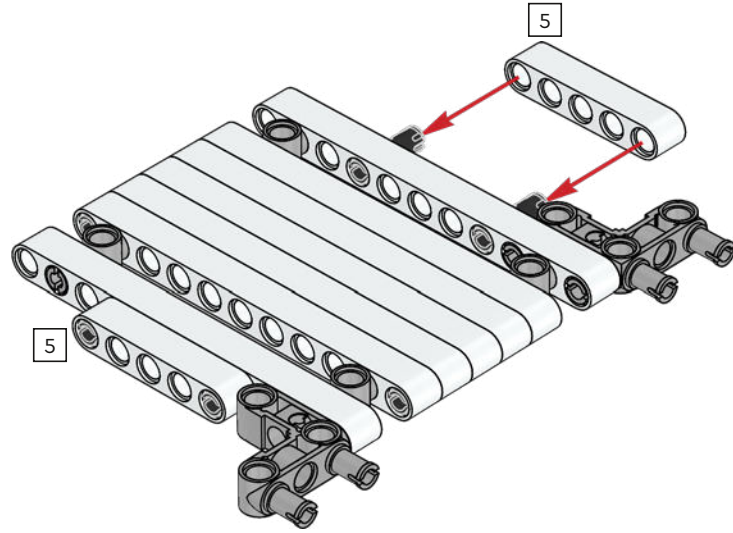


6

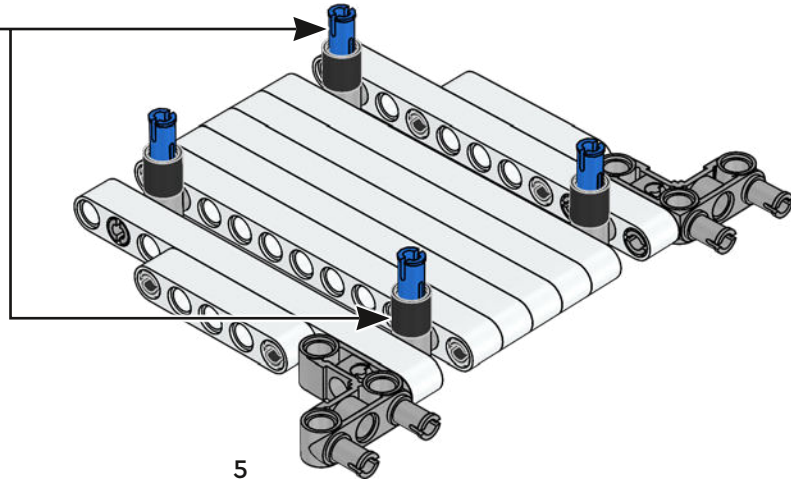
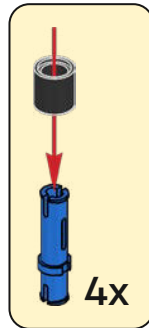




7



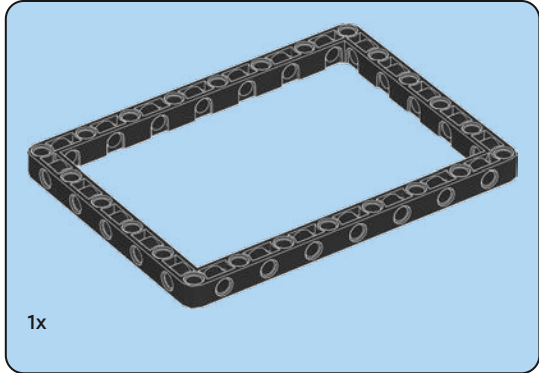
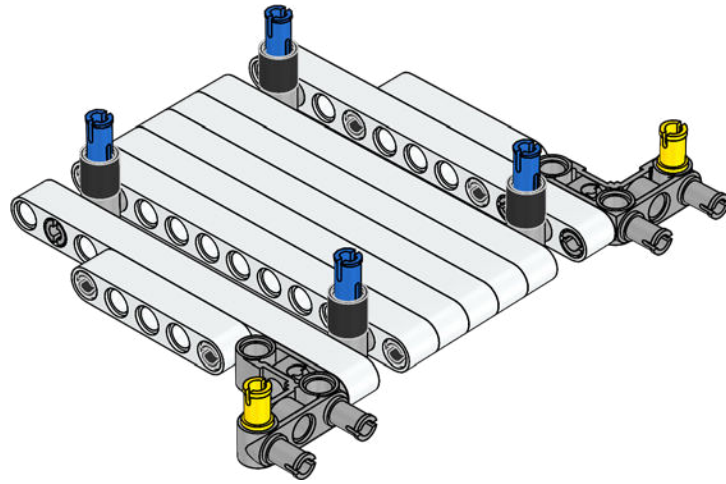
8





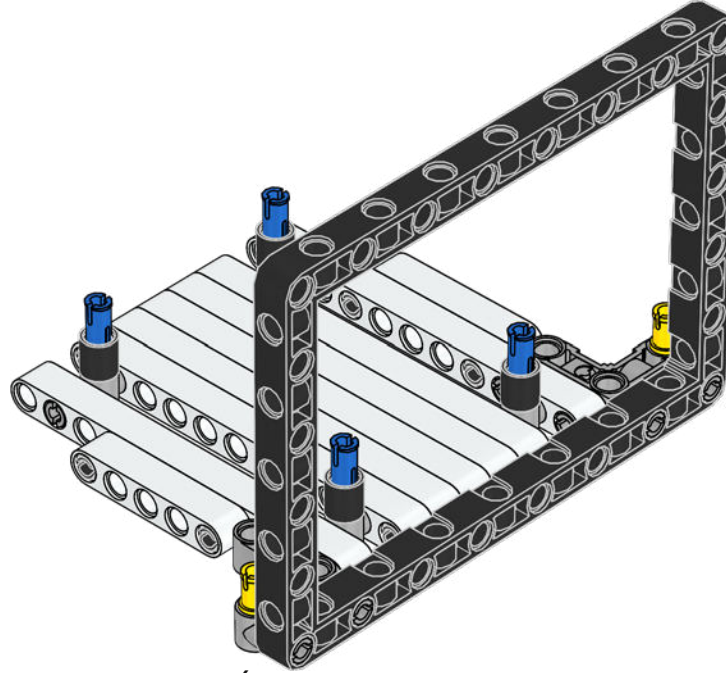
2x

9

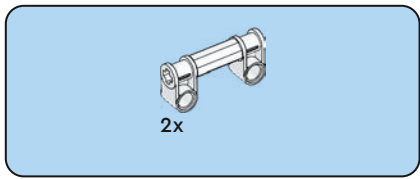


1x

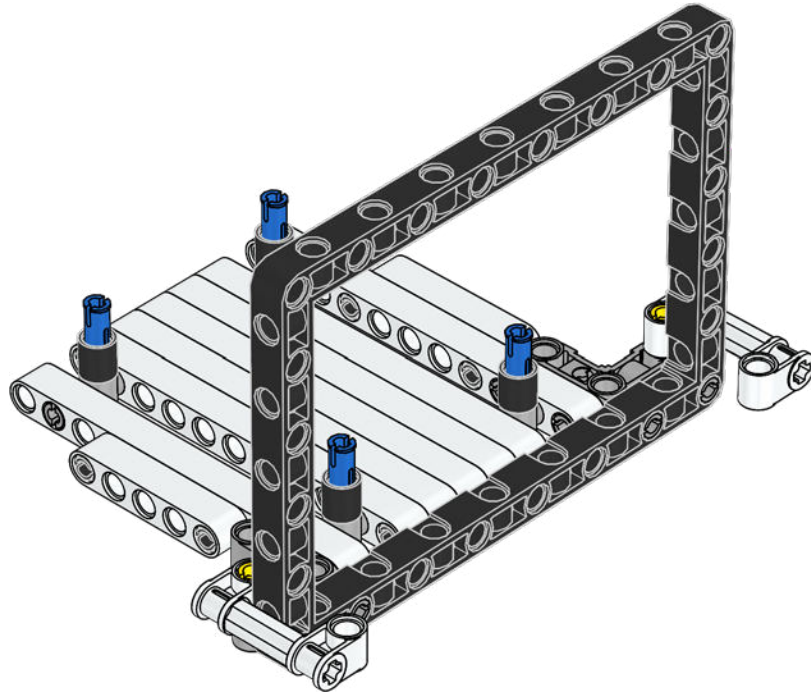
10

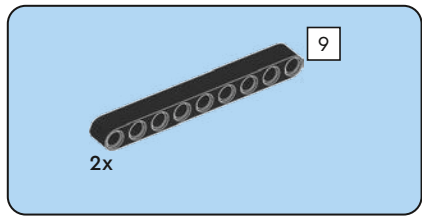


6

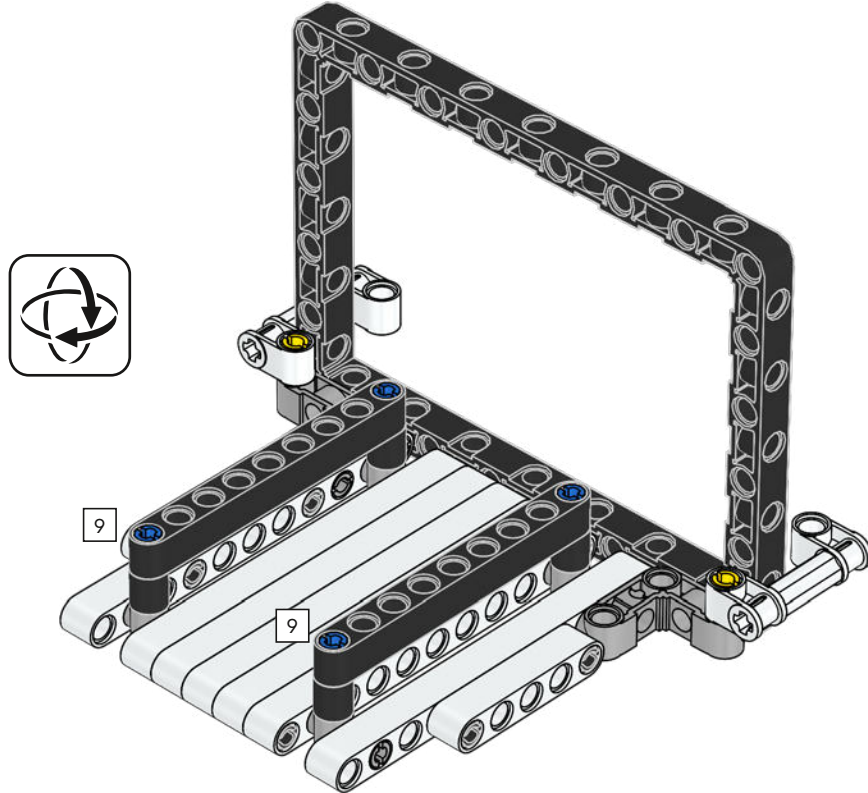


11





12

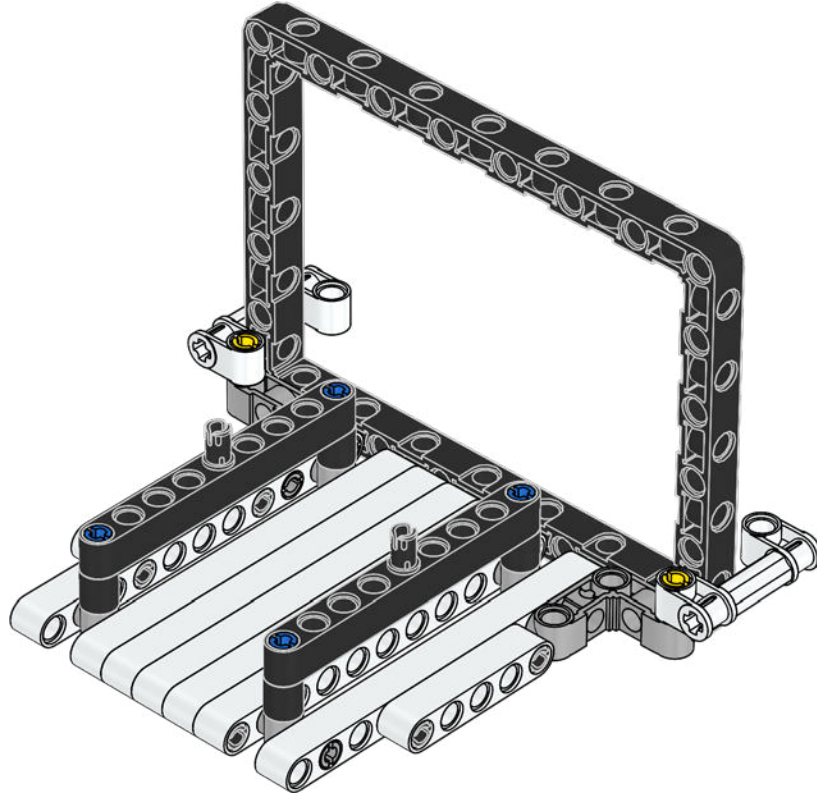


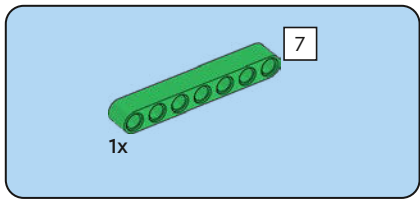




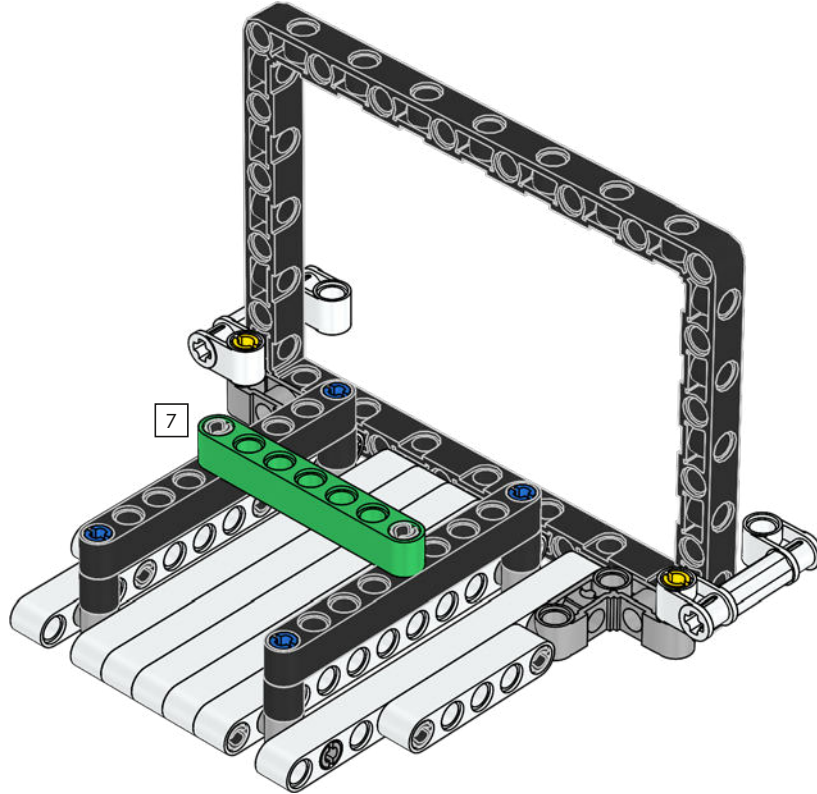
2x

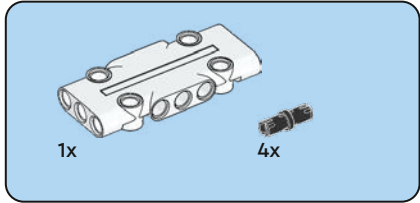
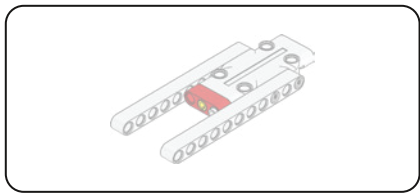
13



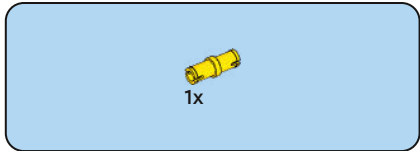
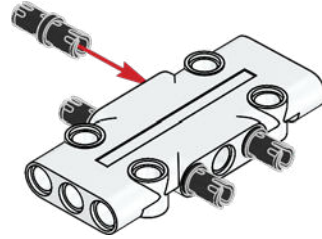


14

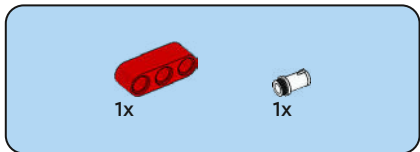
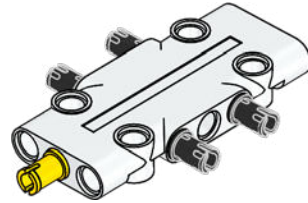




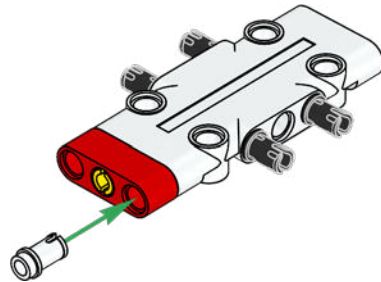
15

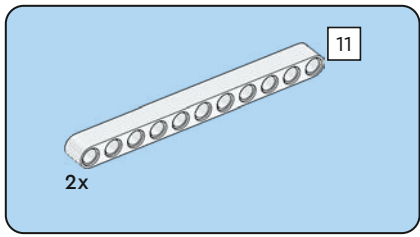


16

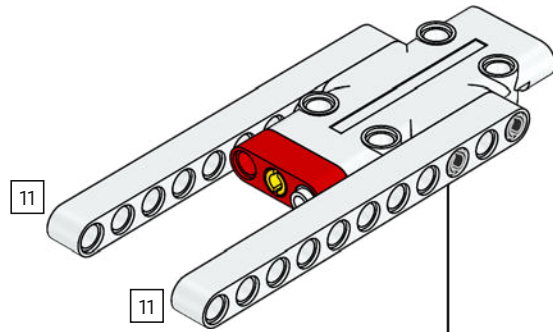


17

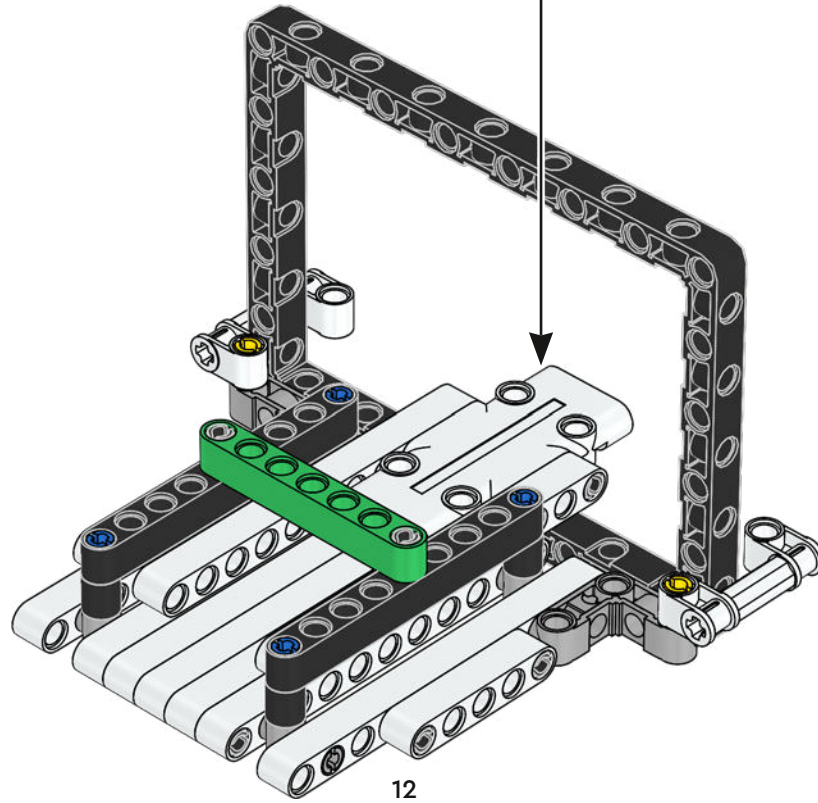


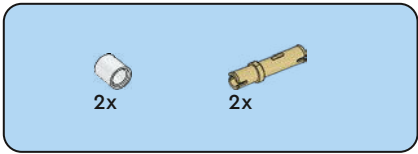


18

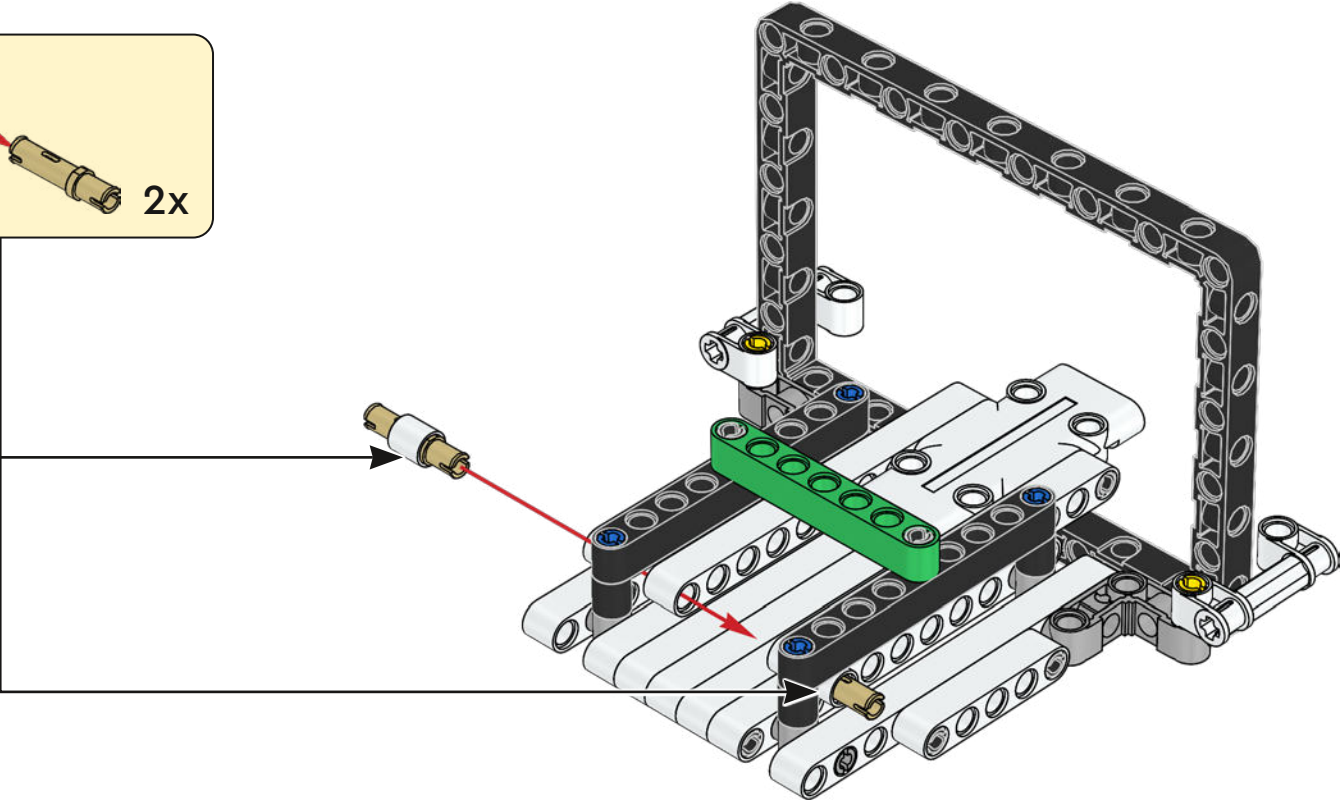
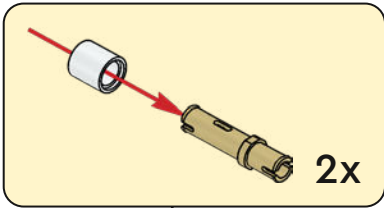


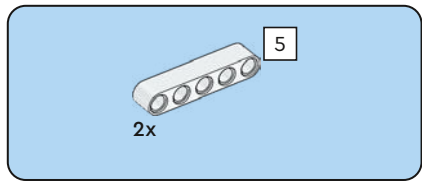
19



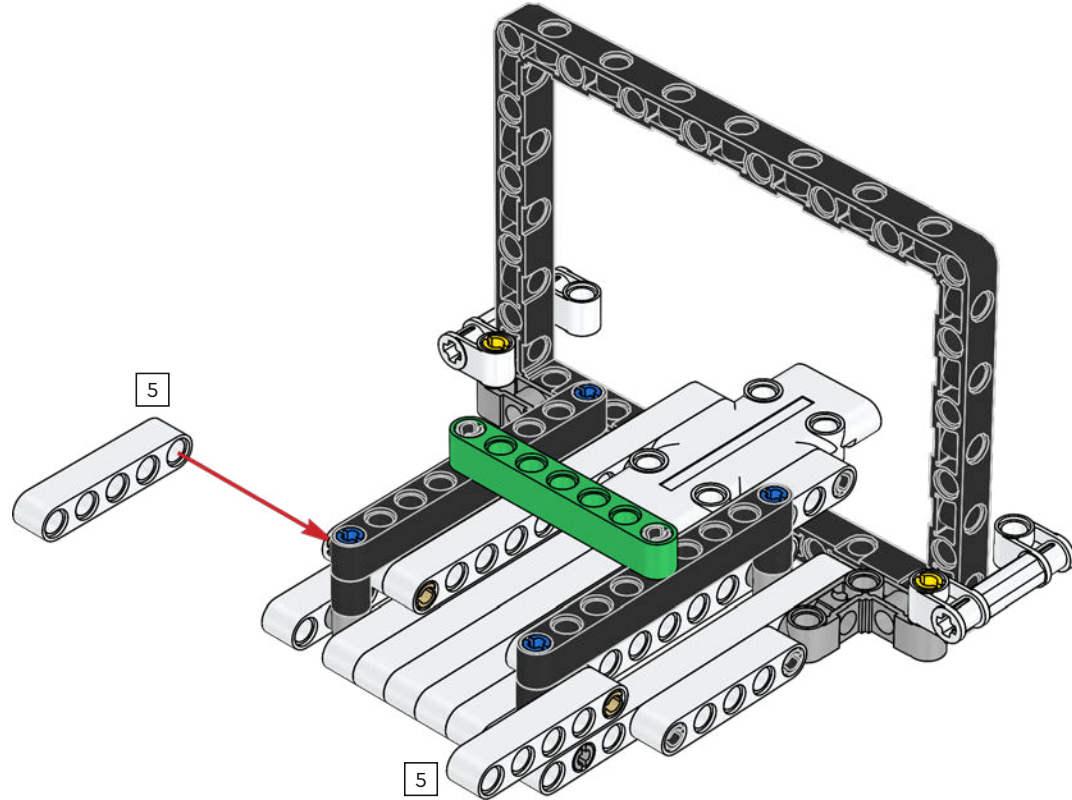


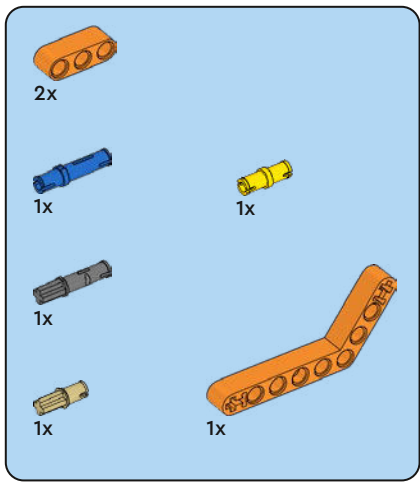
20



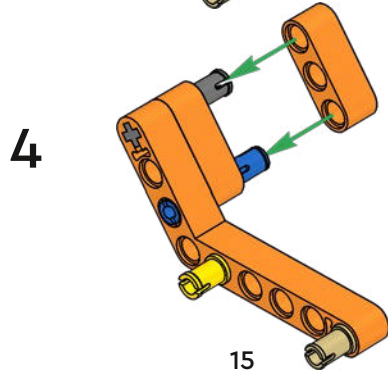
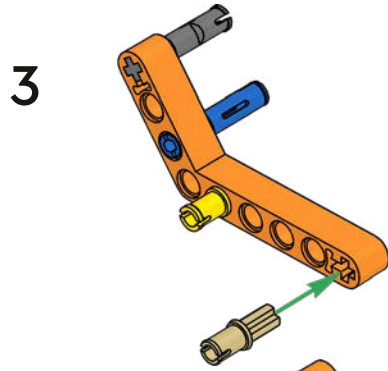
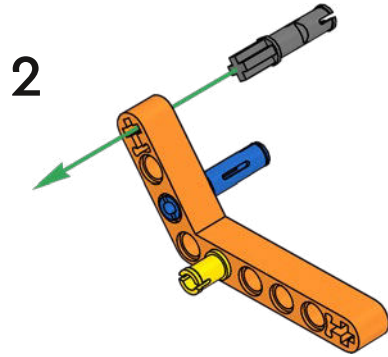
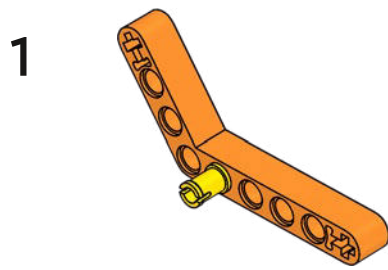


21



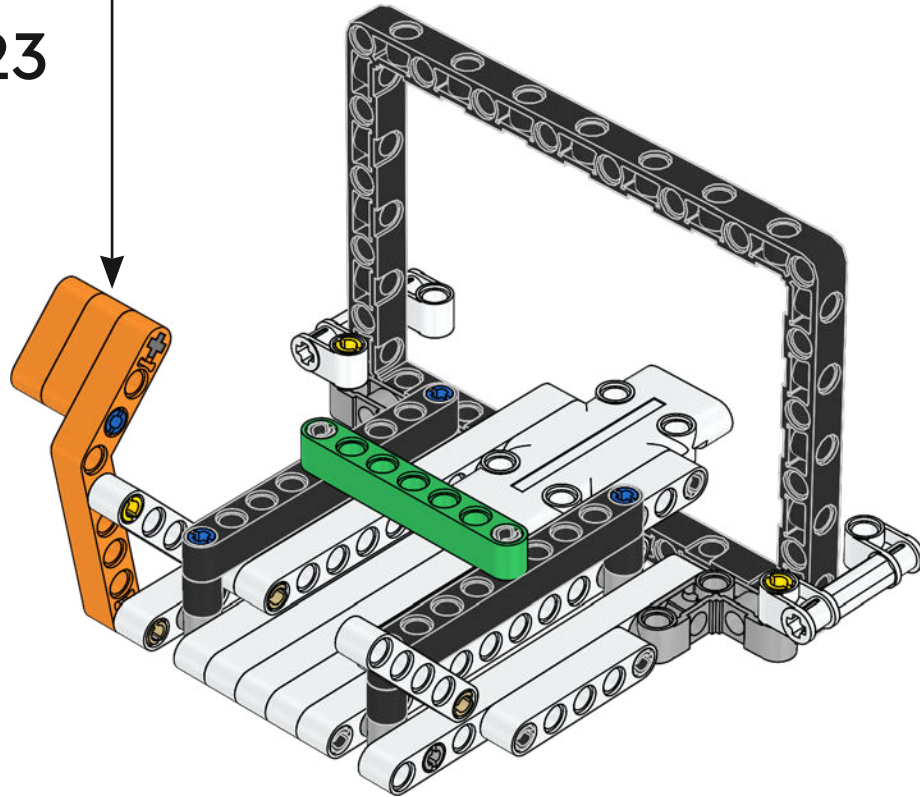


22

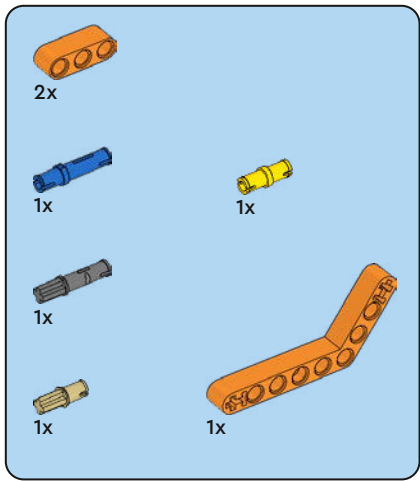




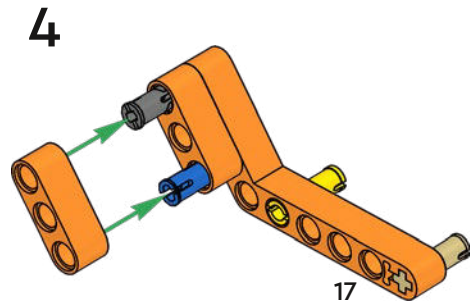
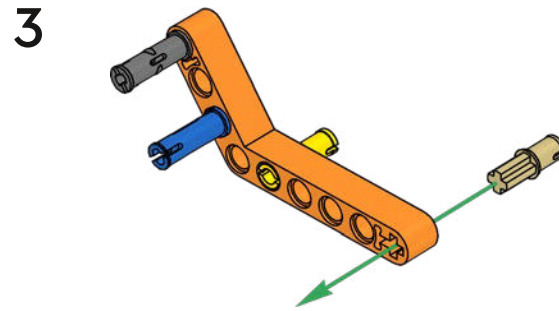
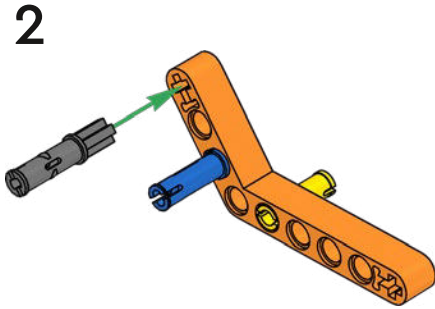
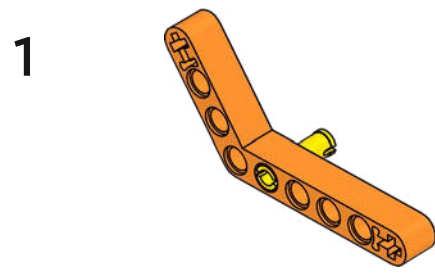
23



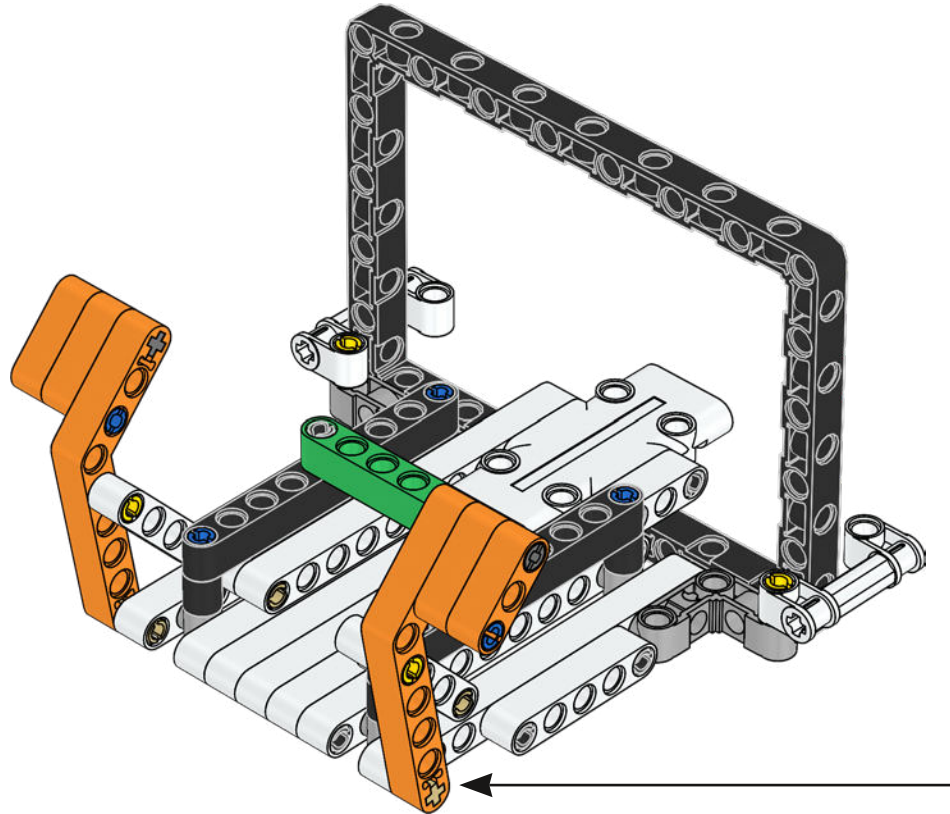


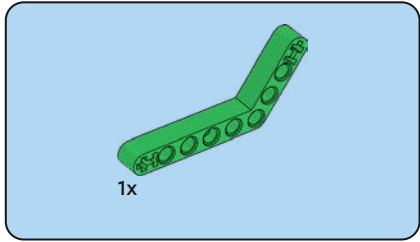
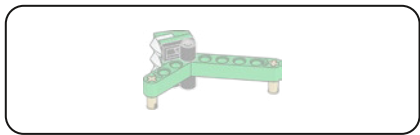


24

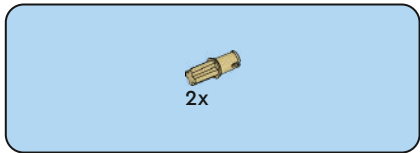
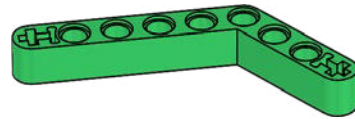


25

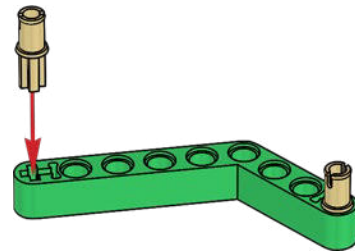


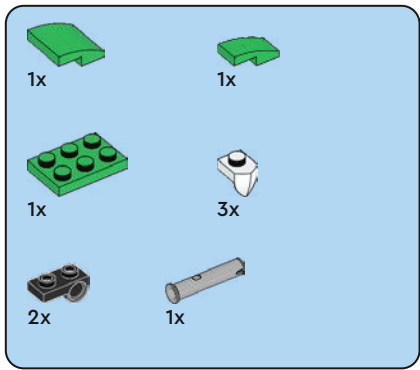


26

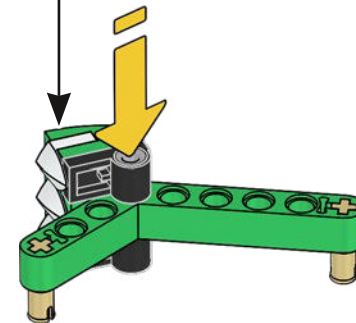
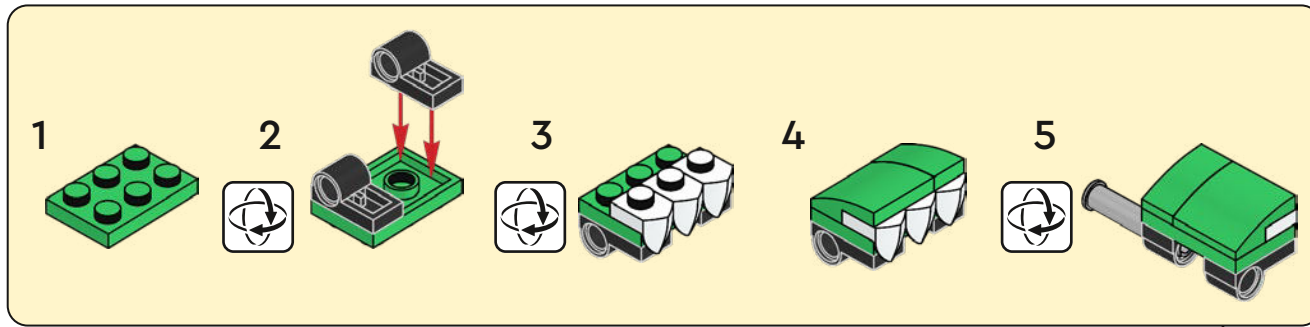


27

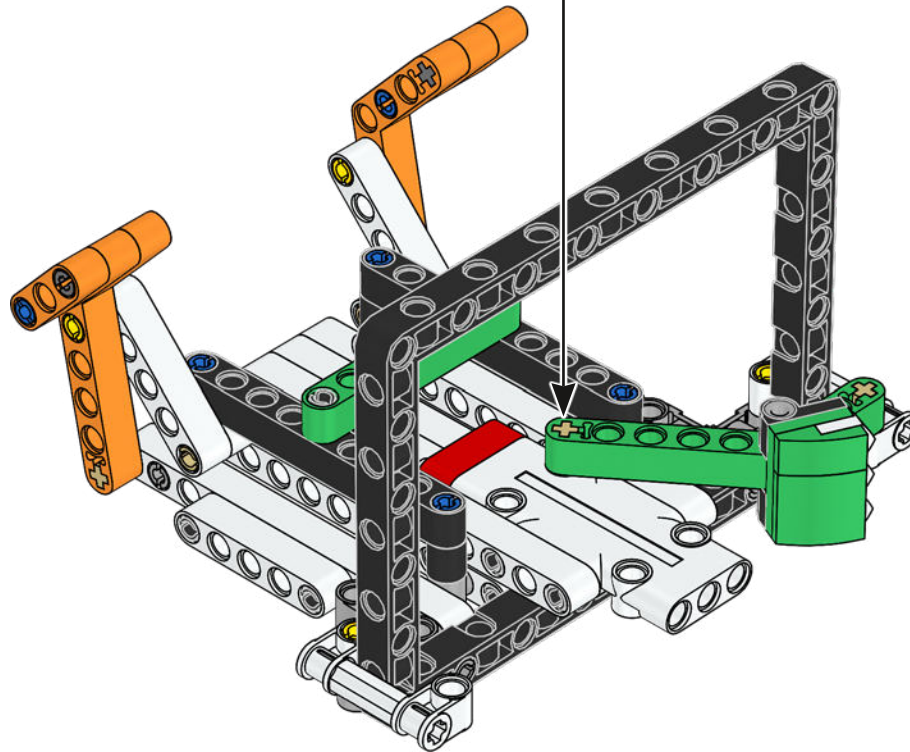


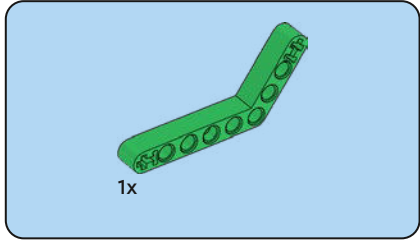
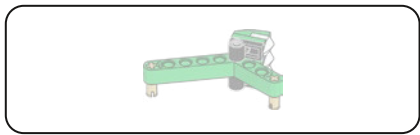


28

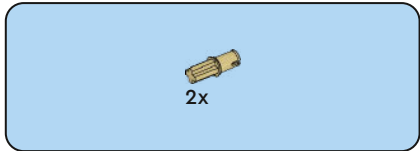
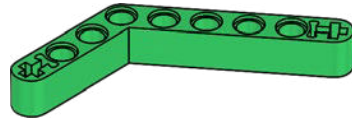


29

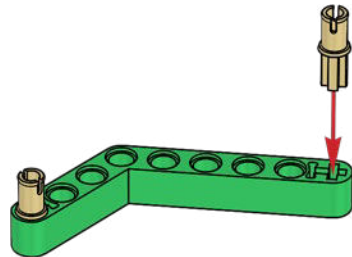


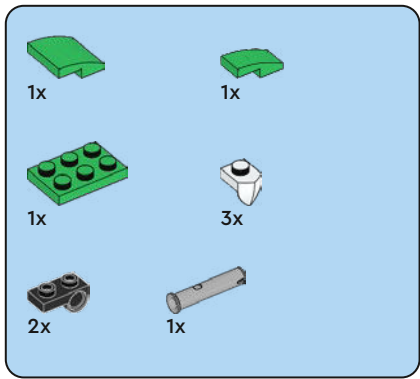


30

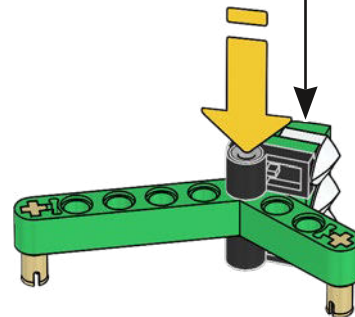
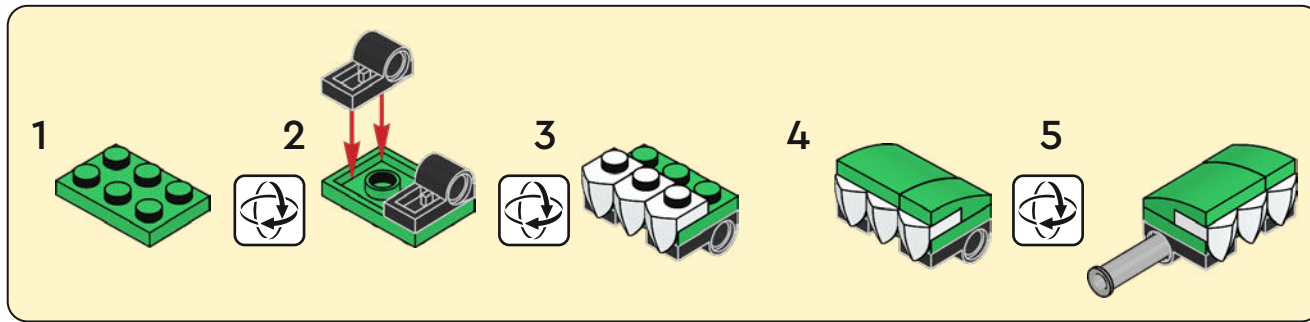


31

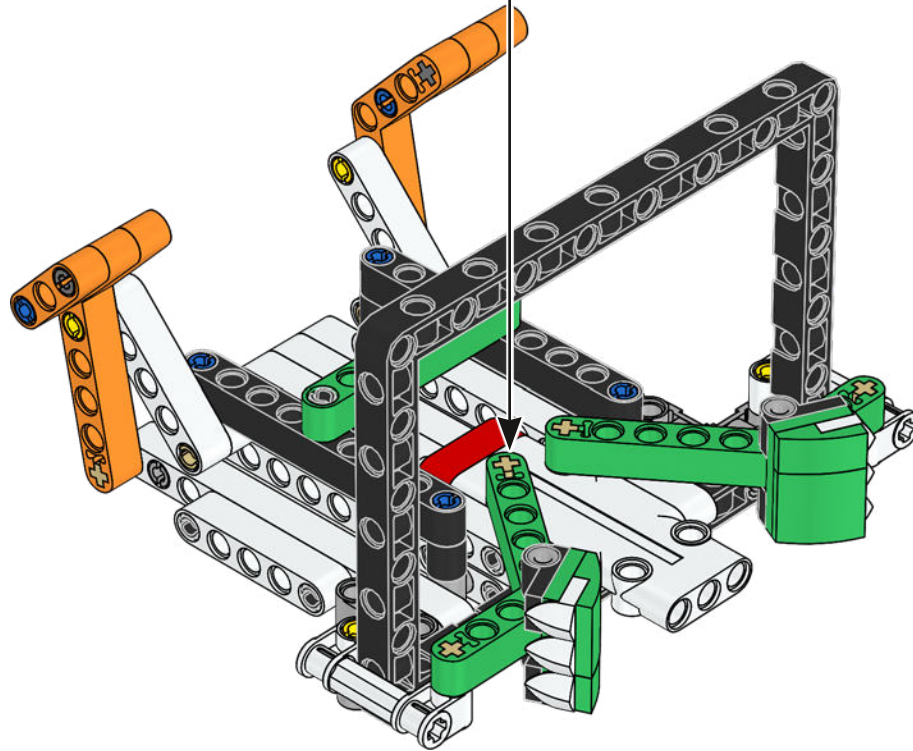




32



33

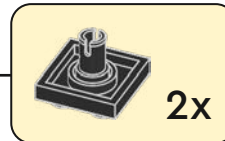
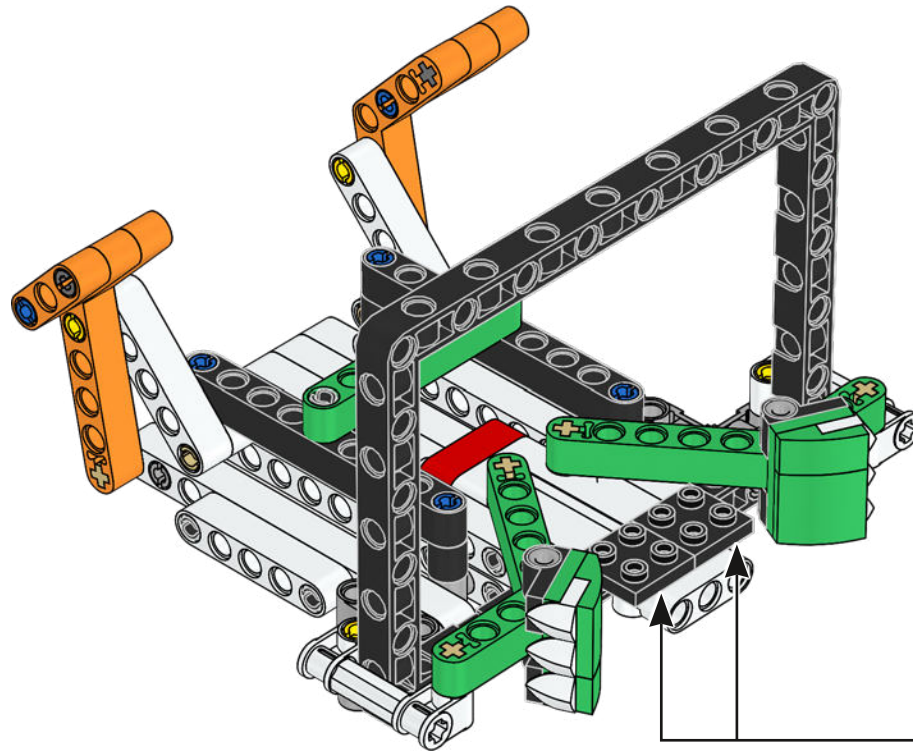


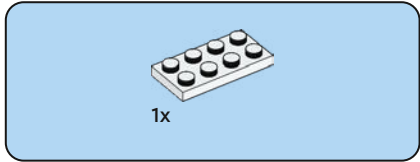
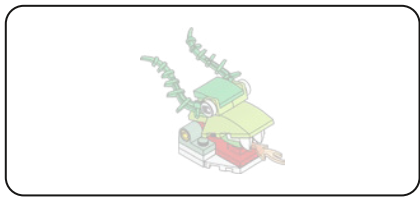




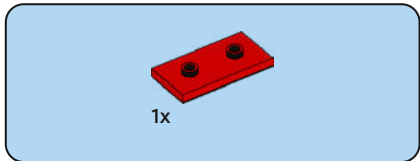
2x

34

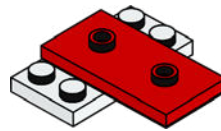


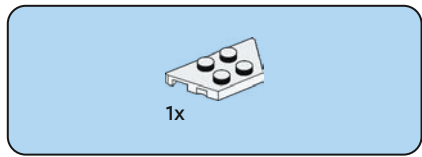


35

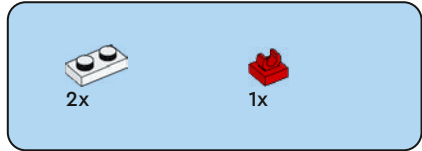
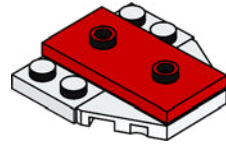


36

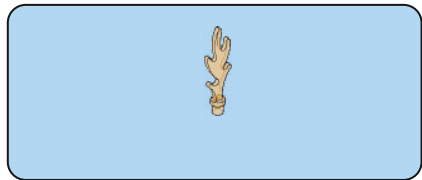
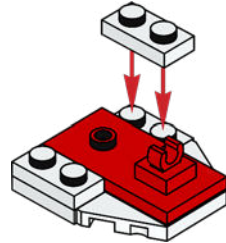




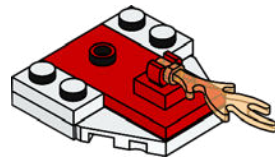
37

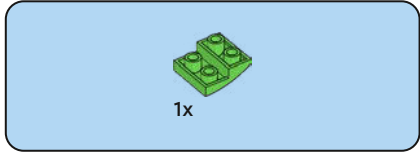
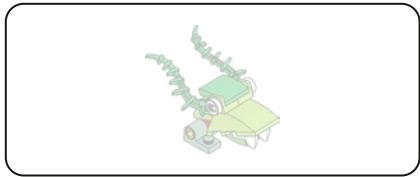


38



39

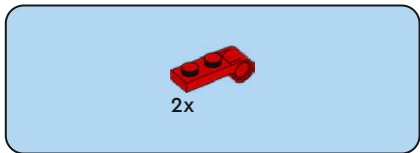
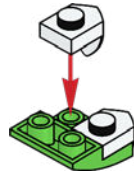




40

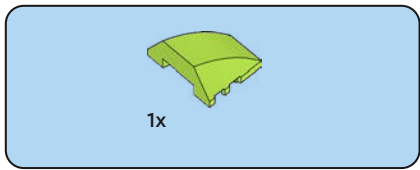


41

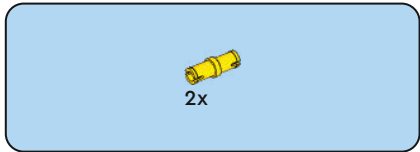
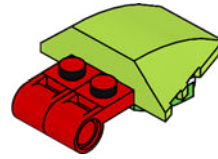


42

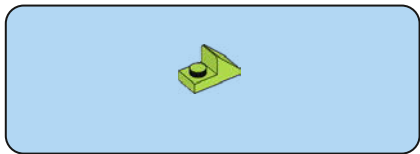
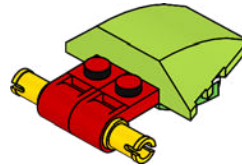




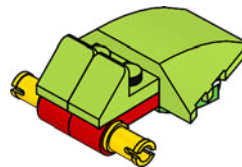
43



44



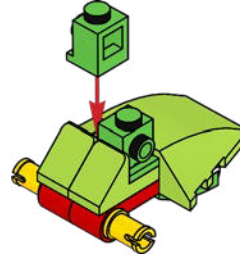
45





2x

46



2x

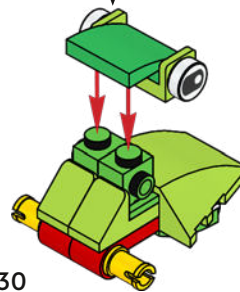
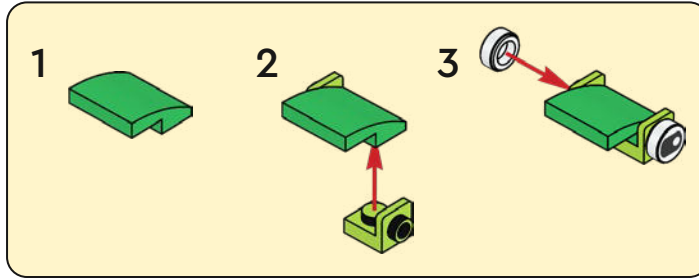


1x



2x

47

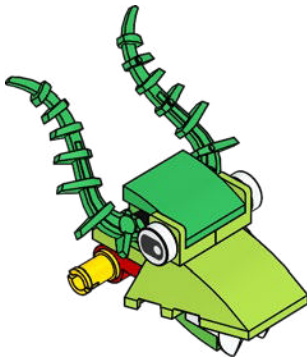


30



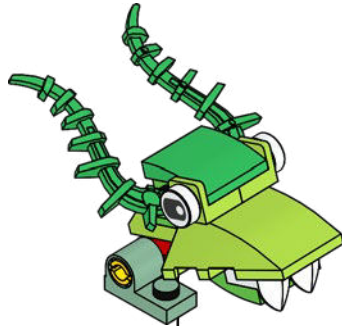
2x

48

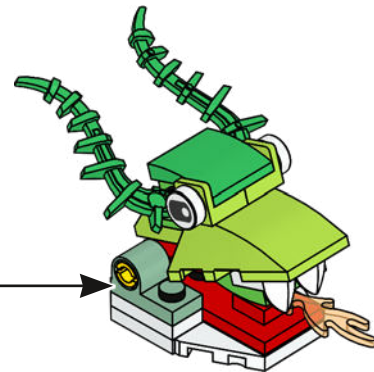


2x

49

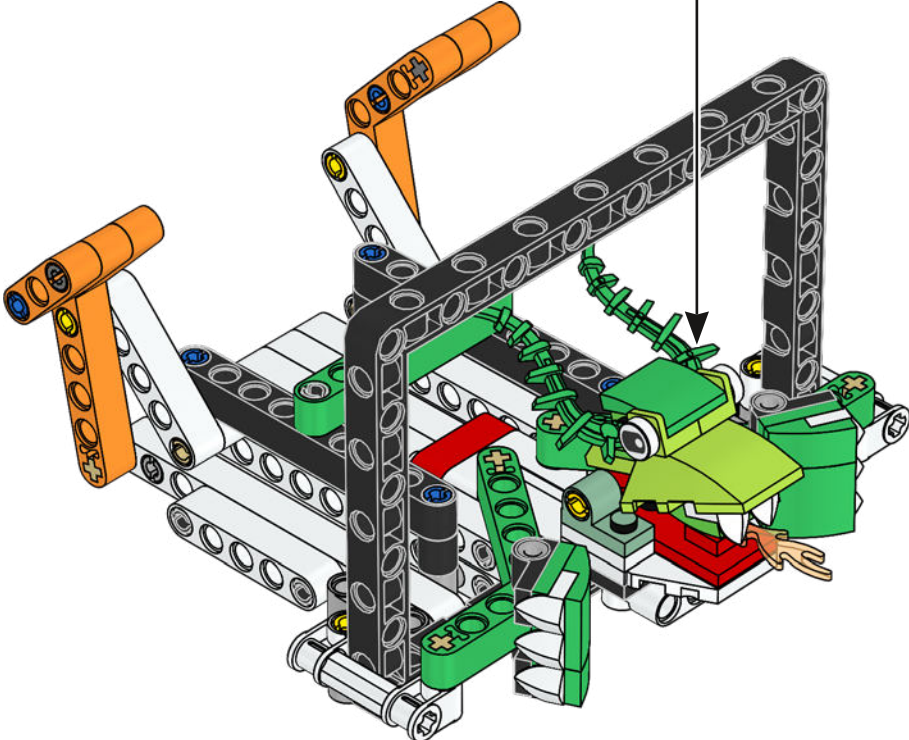


50





51



LEGO and the LEGO logo are trademarks of the/son des marques de commerce du/son marcas registradas de LEGO Group. ©2023 The LEGO Group.

FIRST® is a registered trademark of For Inspiration and Recognition of Science and Technology (FIRST). LEGO® is a registered trademark of the LEGO Group. FIRST® LEGO® League and MASTERPIECE™ are jointly held trademarks of FIRST and the LEGO Group. ©2023 FIRST and the LEGO Group. All rights reserved.