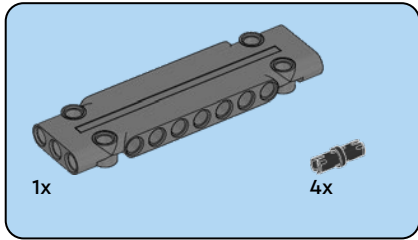
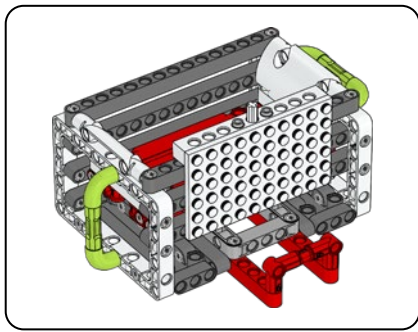
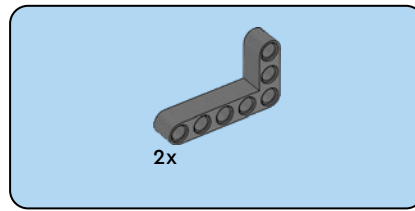
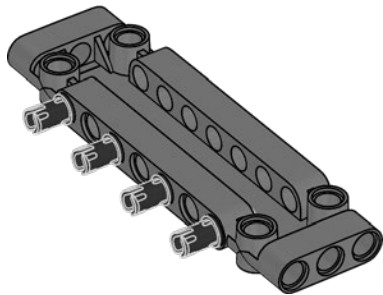


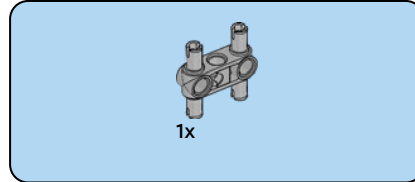
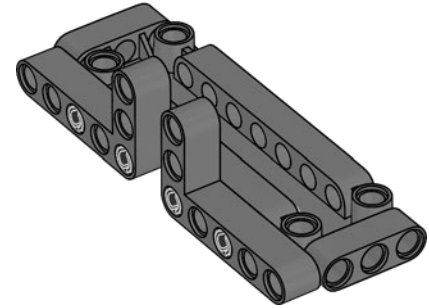
45820



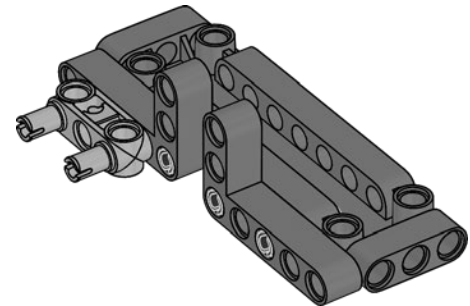
1

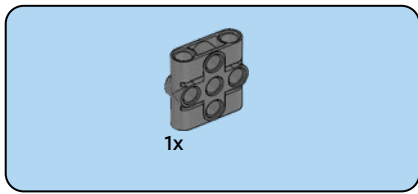


2

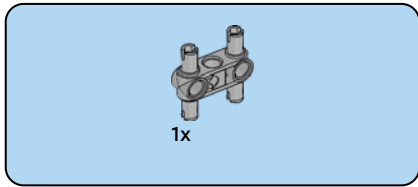
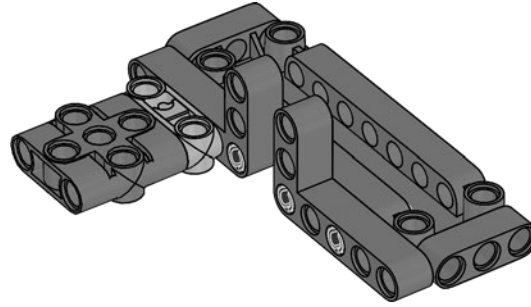


3

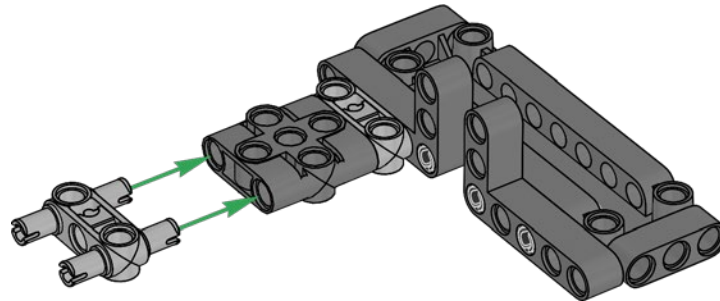


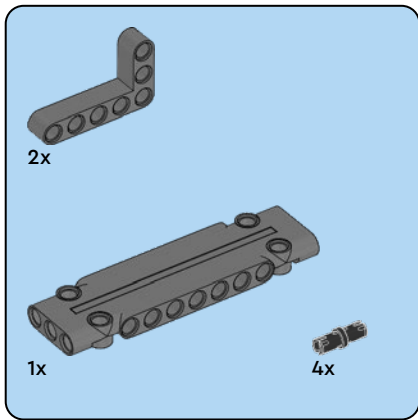


4

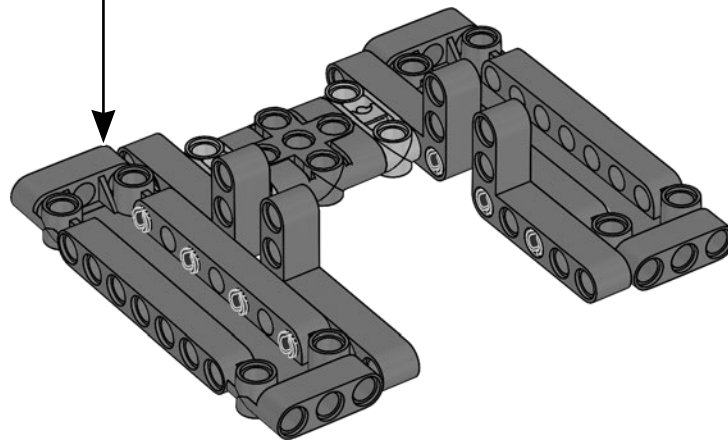
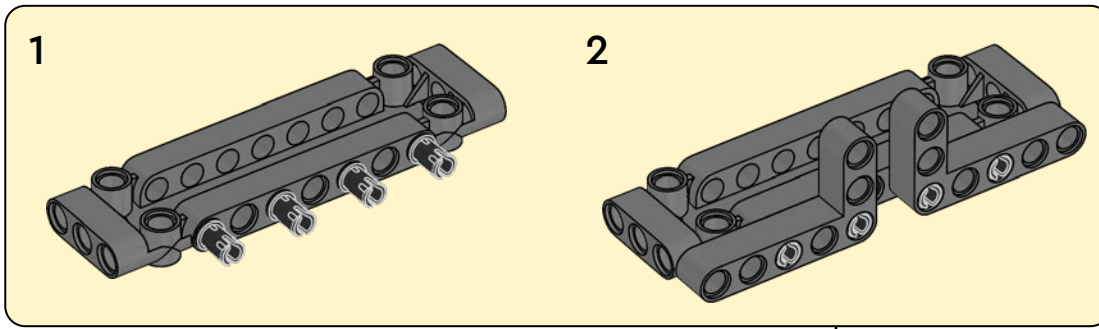


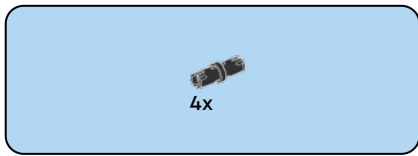
5



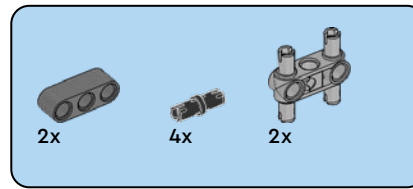
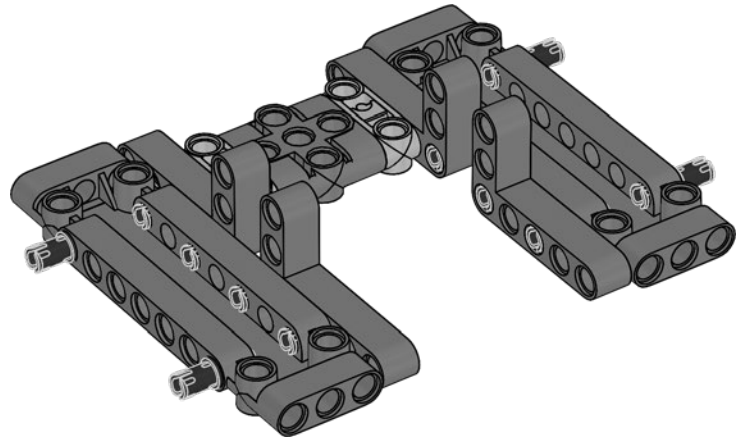


6

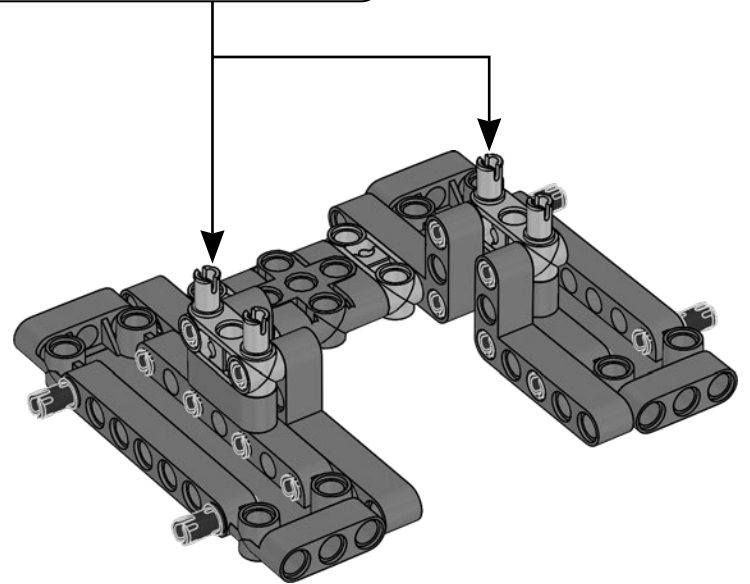
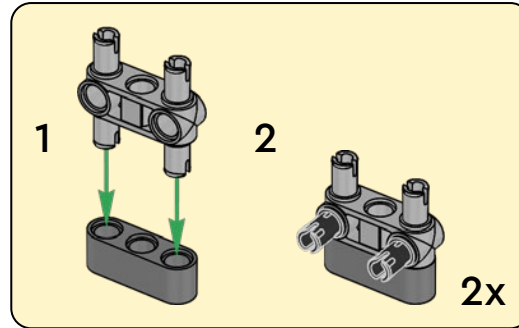


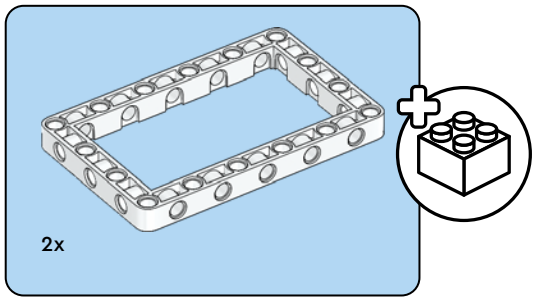


7

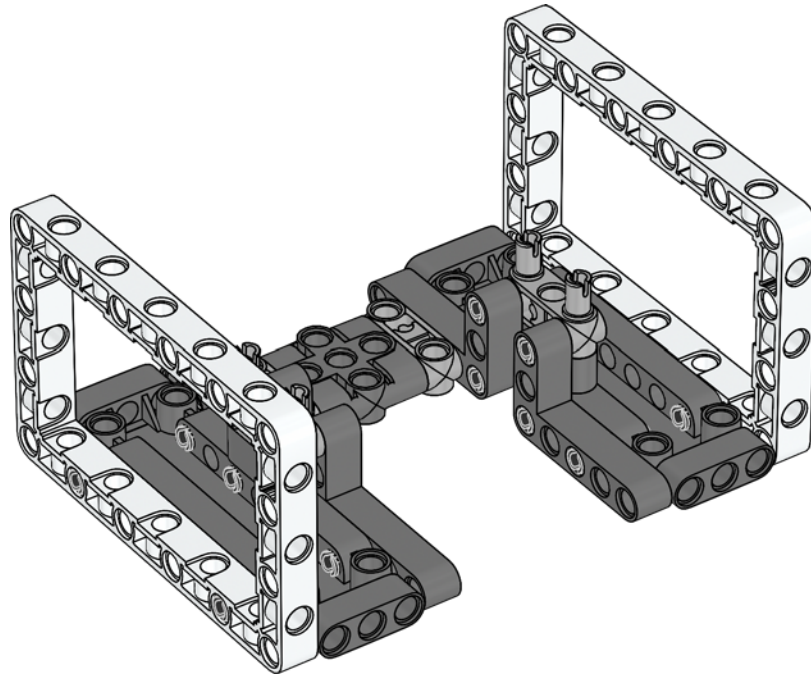


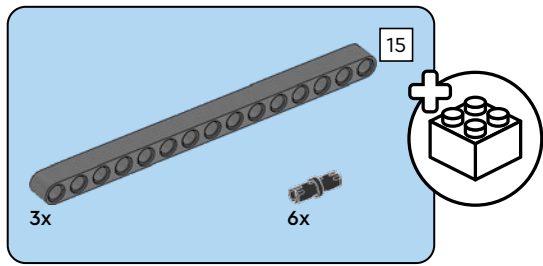
8



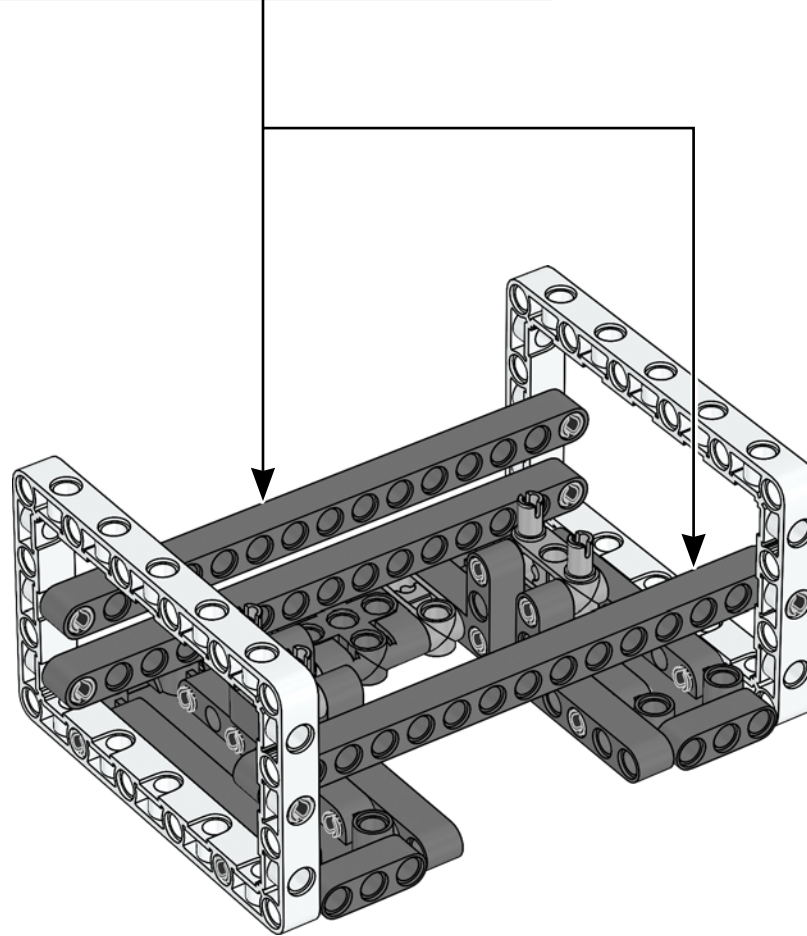
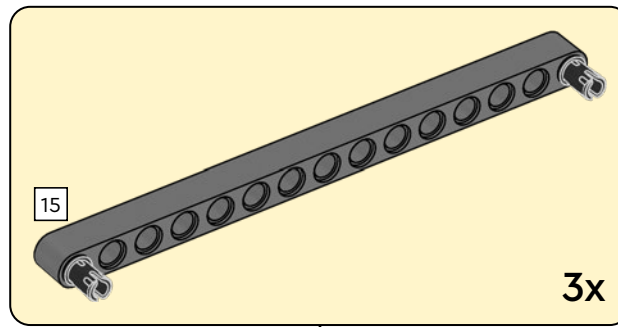


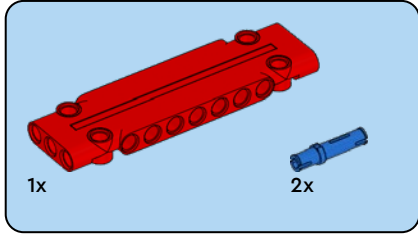
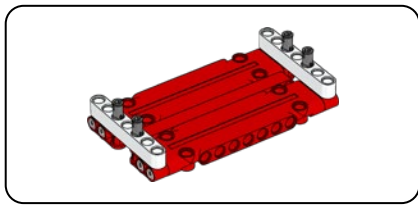
9



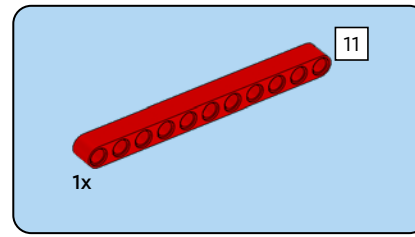
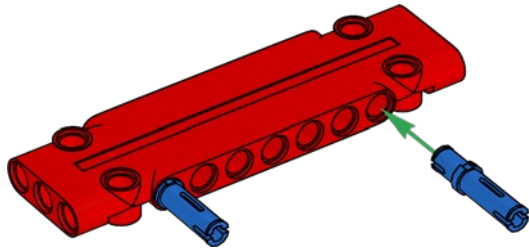


10

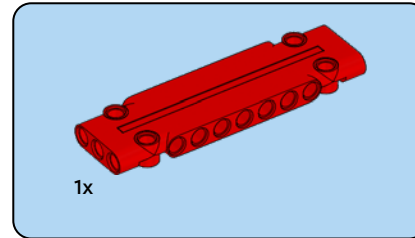
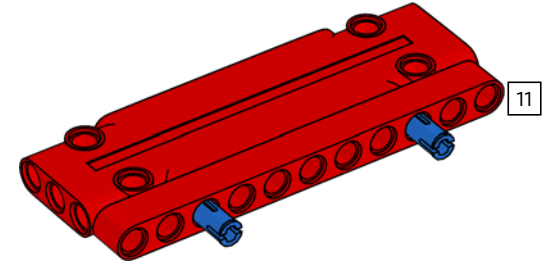




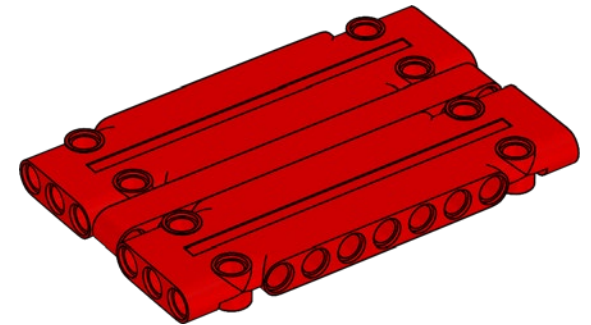
11



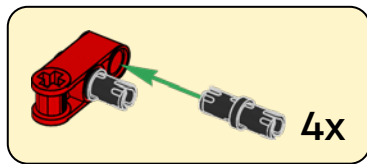
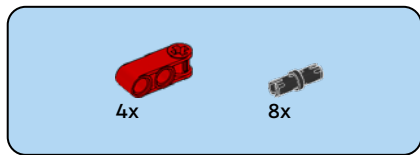
12



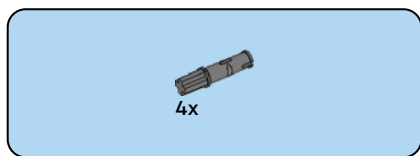
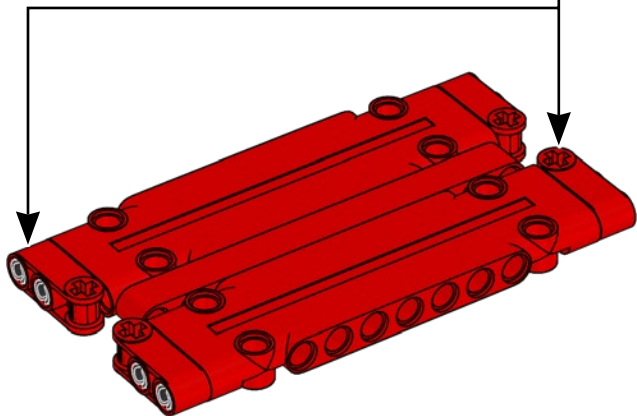
13



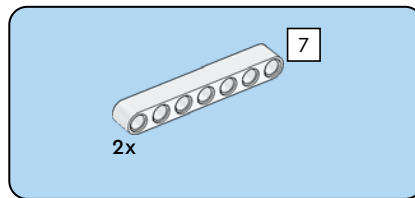
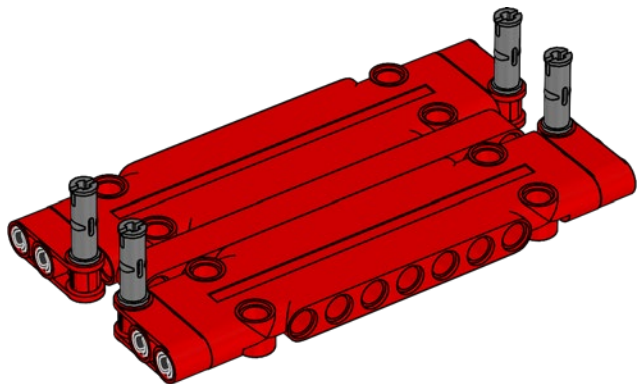




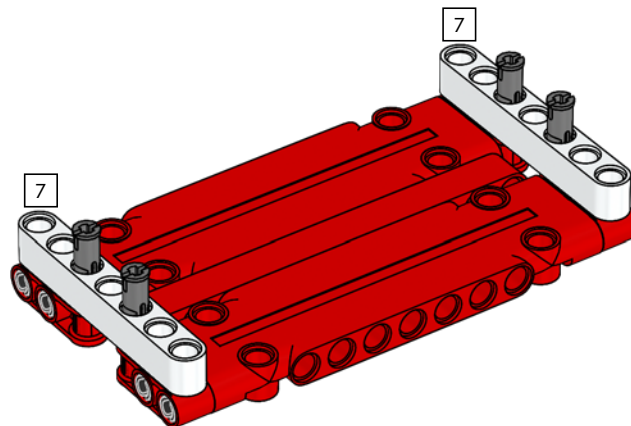
14



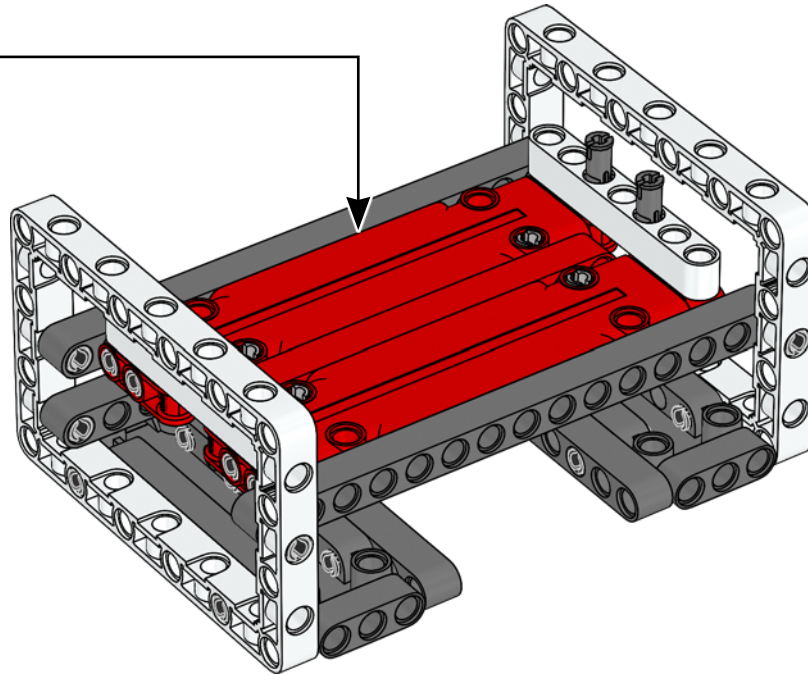
15

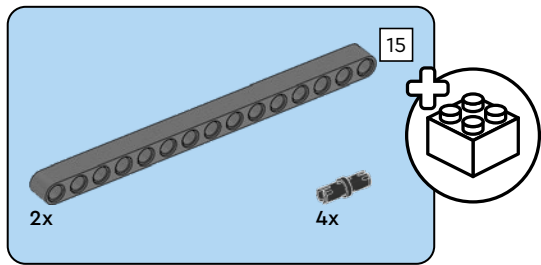


16

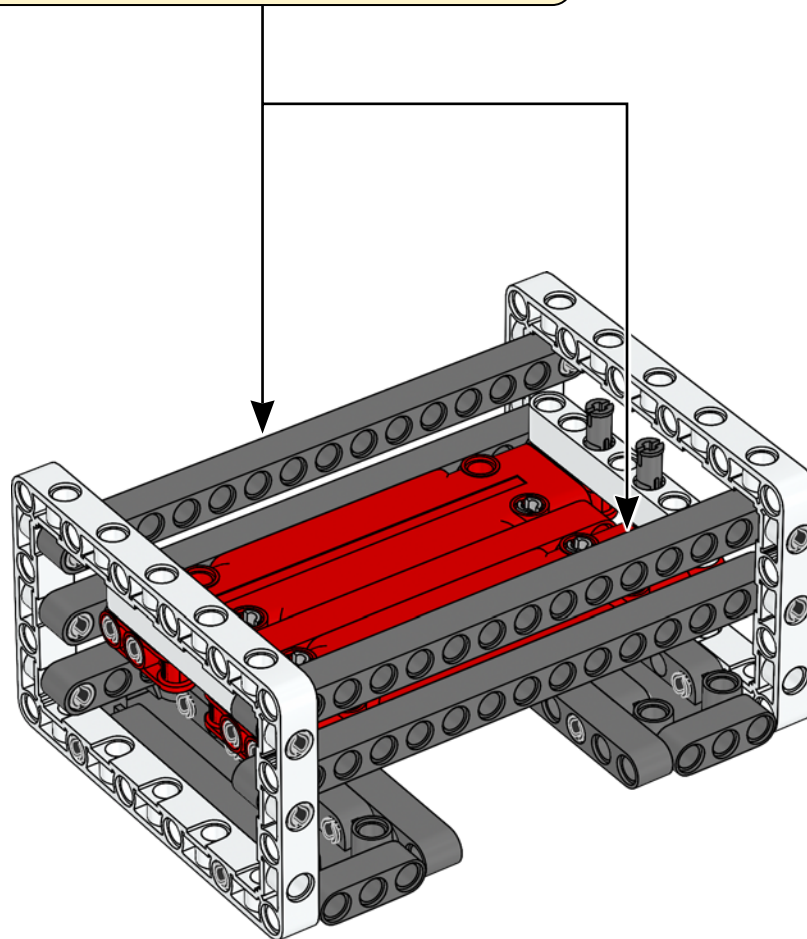
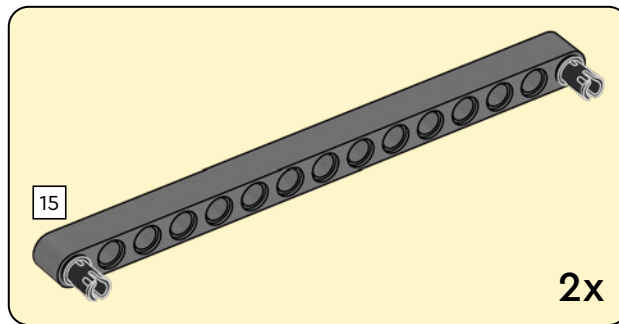


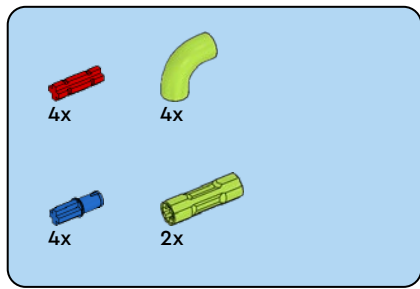
17



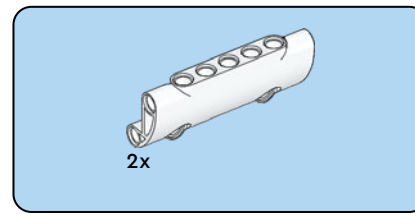
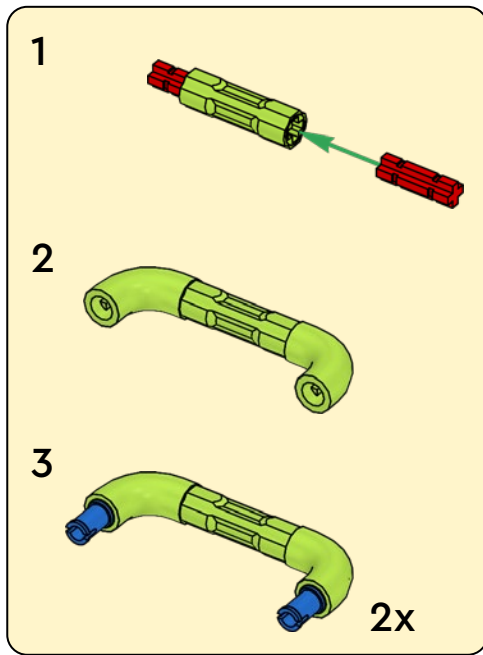


18

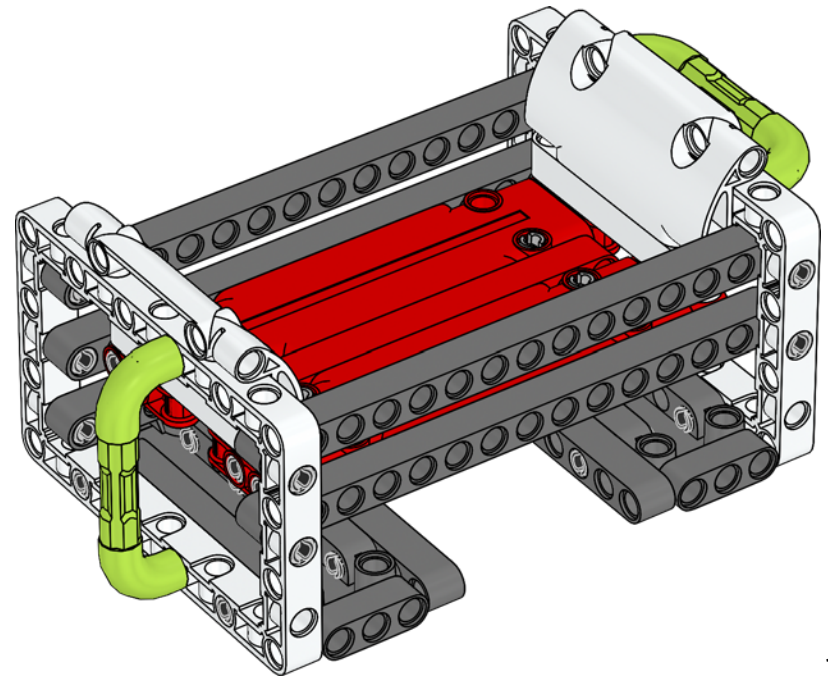
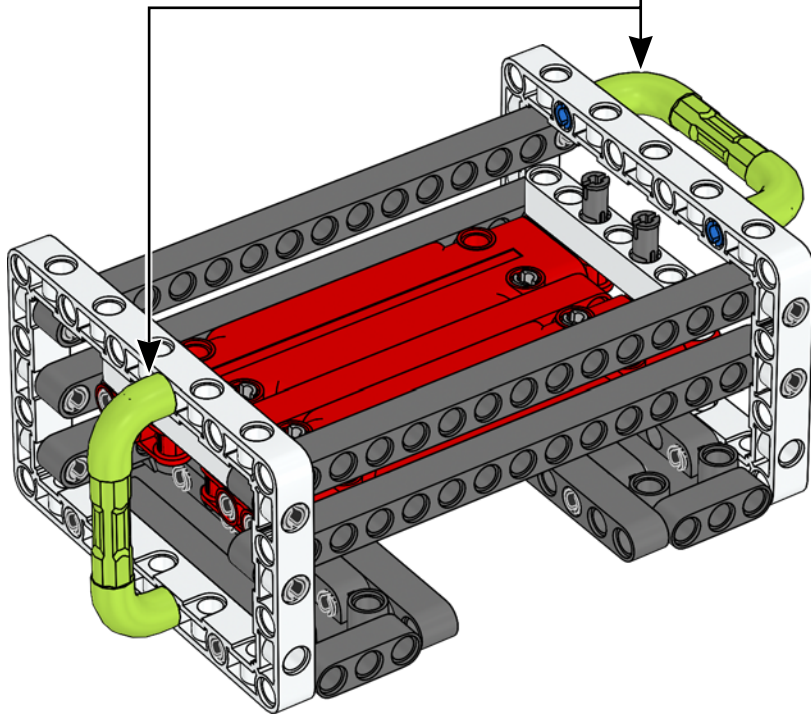


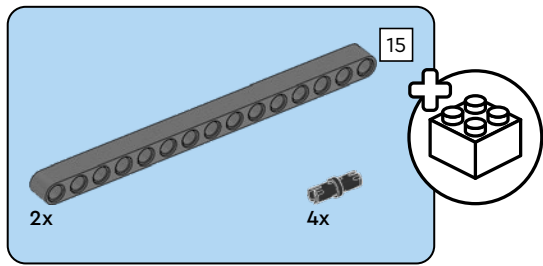


19

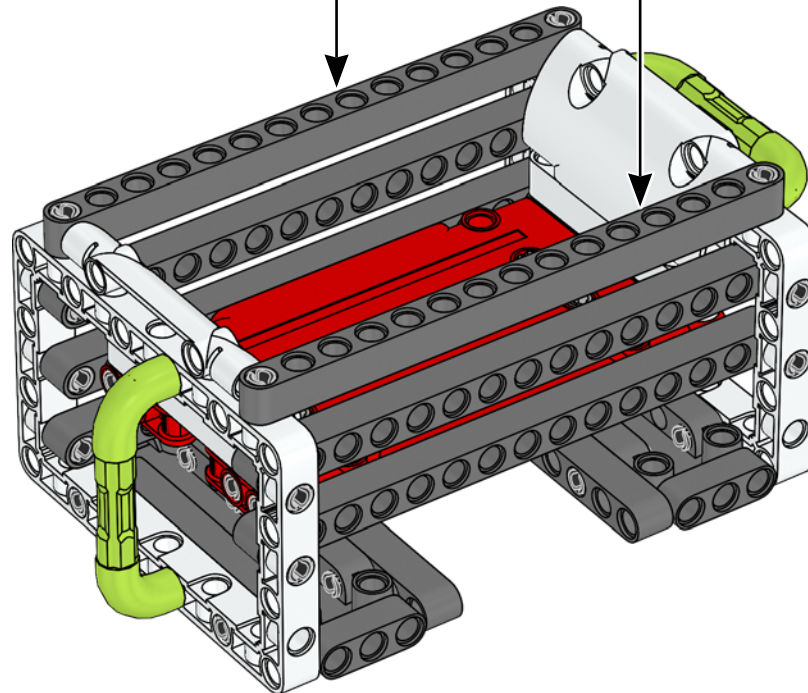
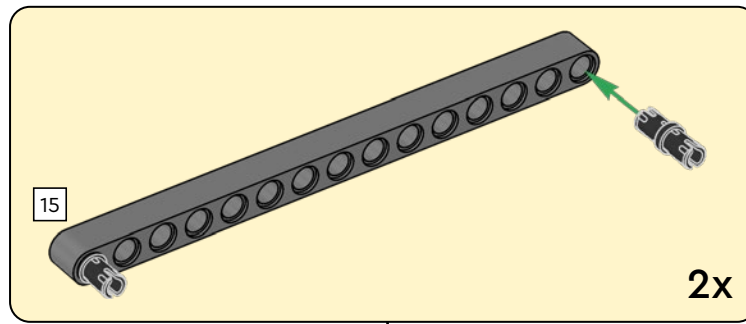


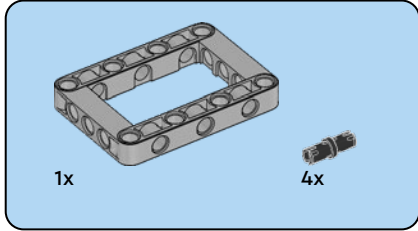
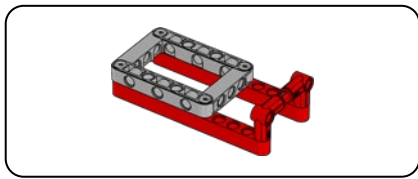
20



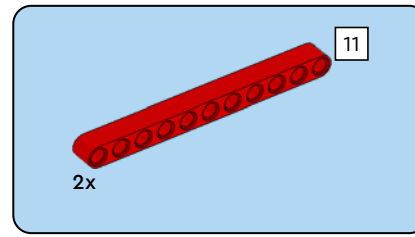
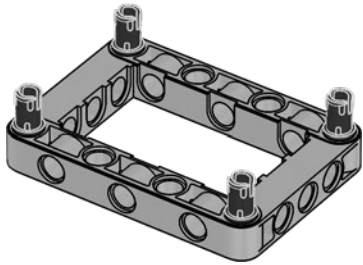


21

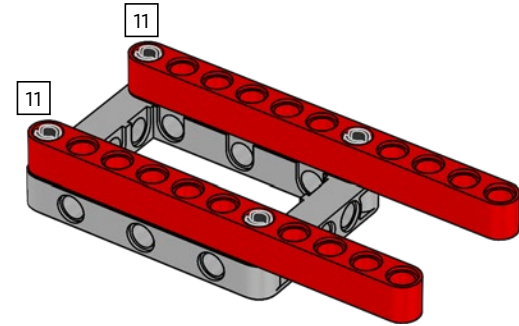


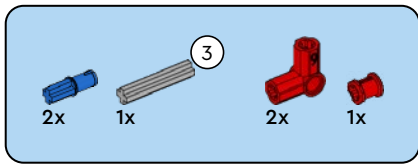


22

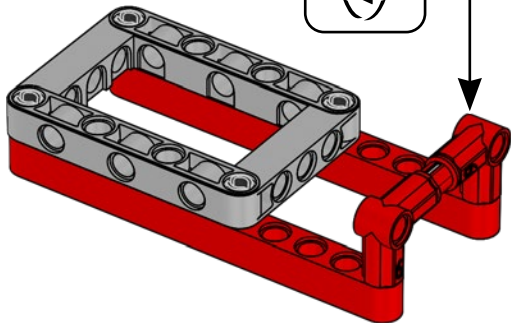
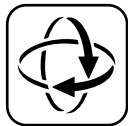
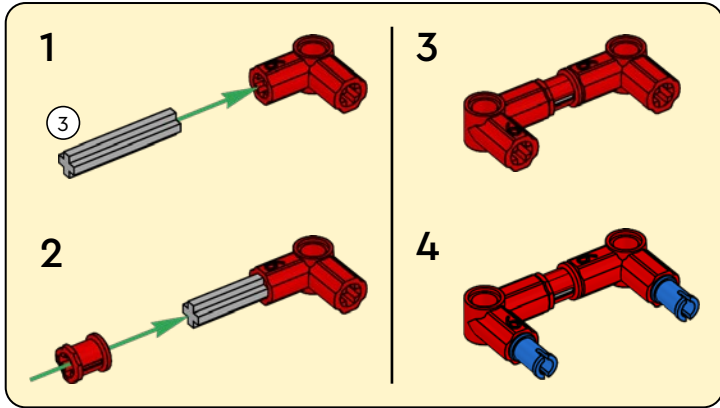


23

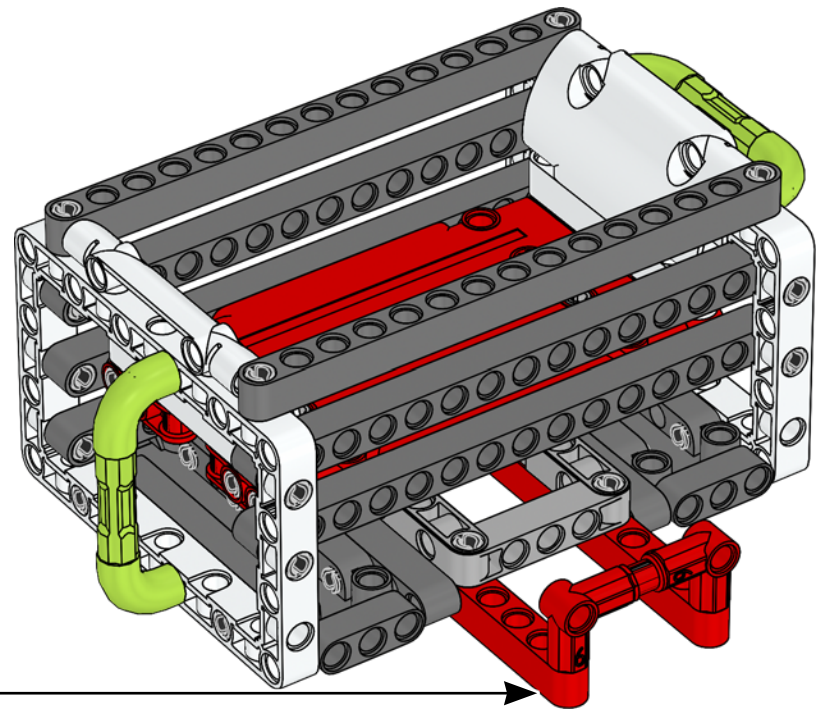


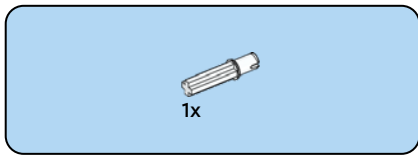


24

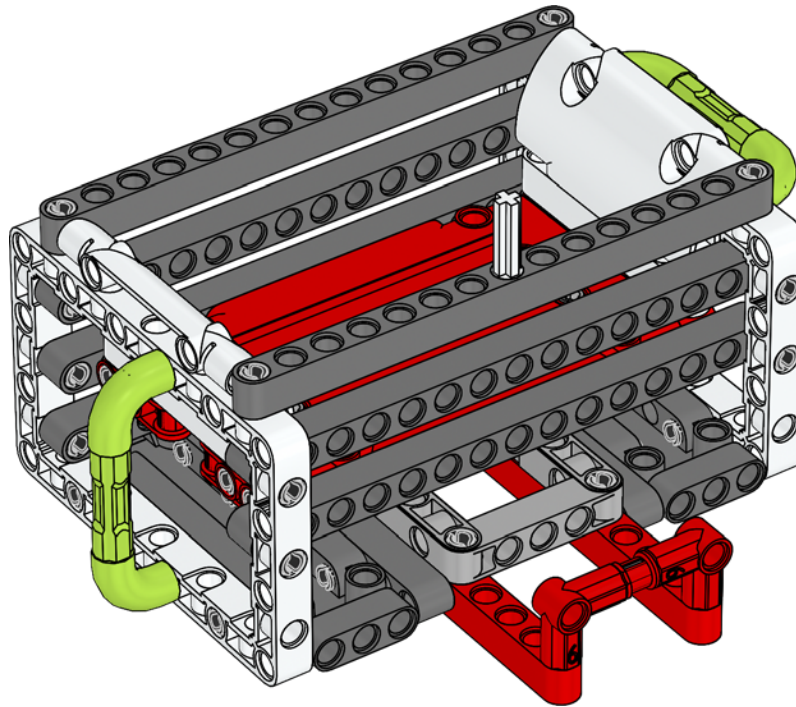


25

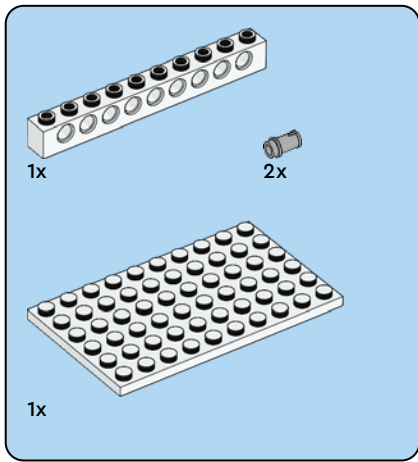




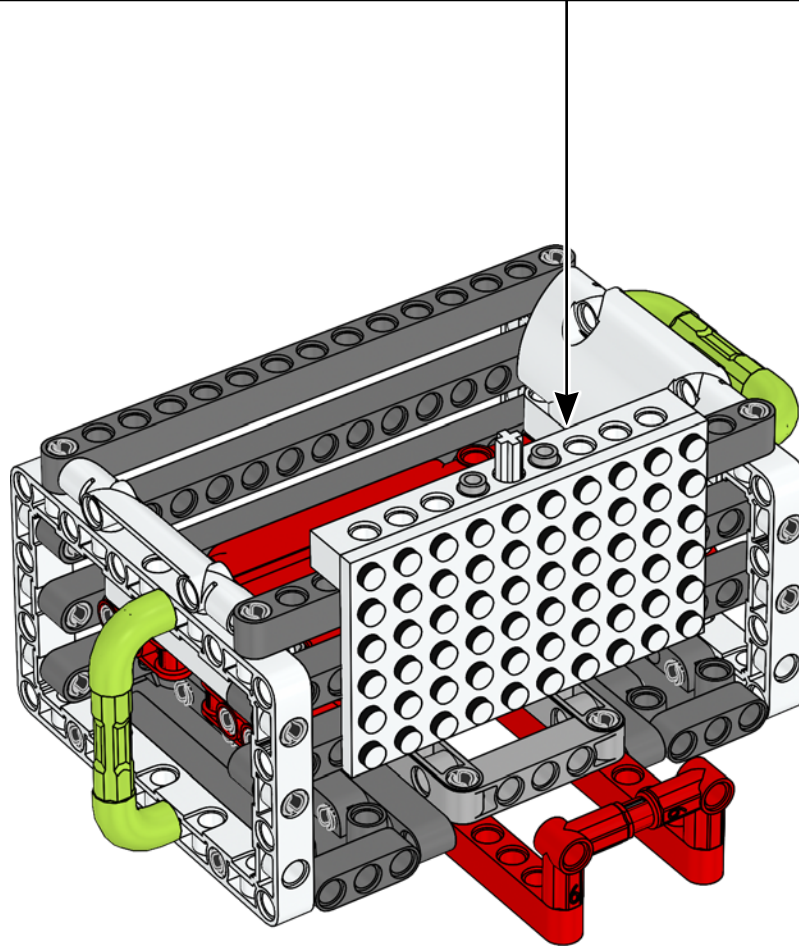
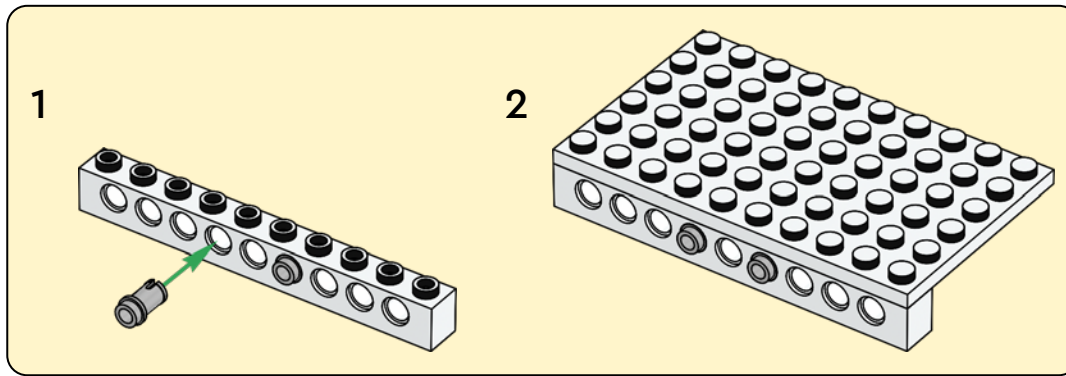
26







27



LEGO and the LEGO logo are trademarks of the/son des marques de commerce du/son marcas registradas de LEGO Group.  
 © 2022 The LEGO Group.  
 FIRST™ is a registered trademark of For Inspiration and Recognition of Science and Technology (FIRST). LEGO® is a registered trademark of the LEGO Group. FIRST™, LEGO™, LEAGUE and SUPERPOWERED™ are jointly held trademarks of FIRST and the LEGO Group.  
 © 2022 FIRST and the LEGO Group. All rights reserved.