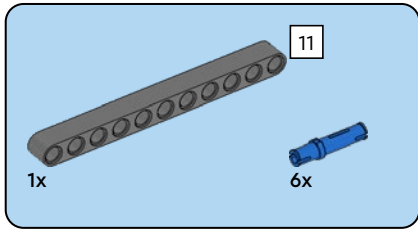
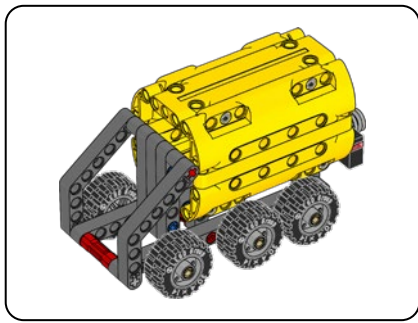
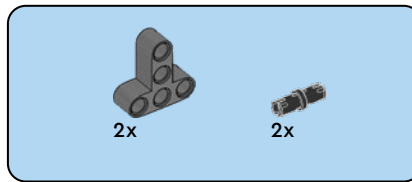
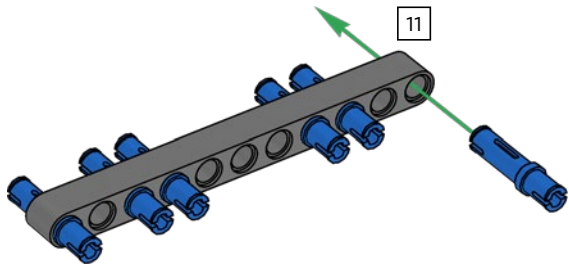


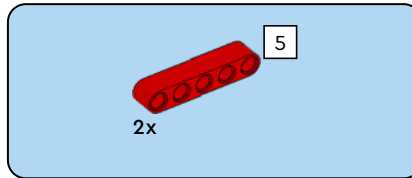
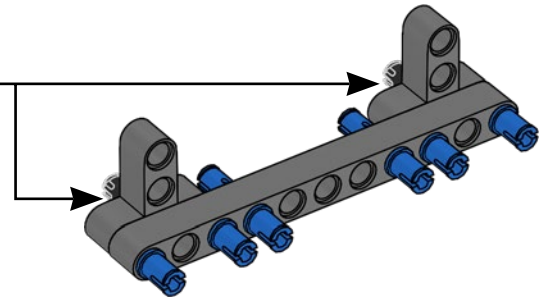
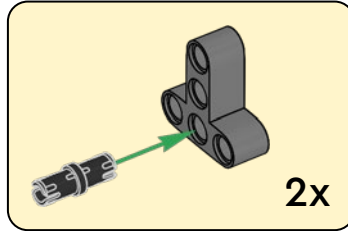
45820



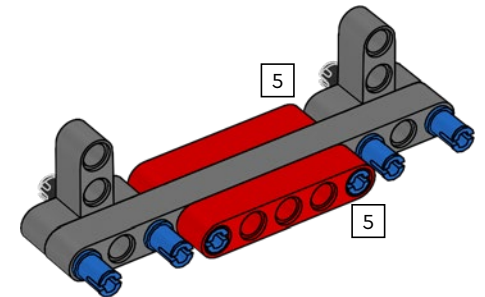
1

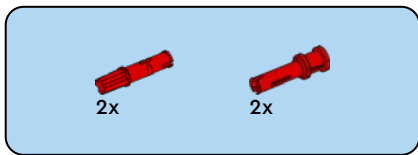


2

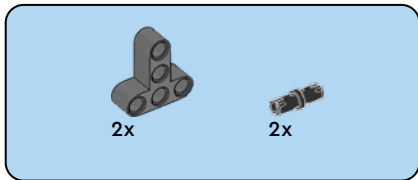
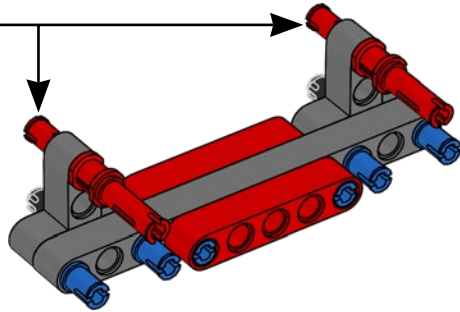
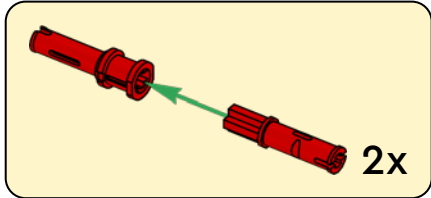


3

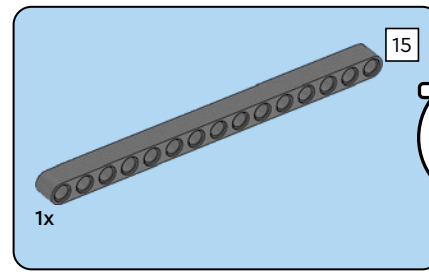
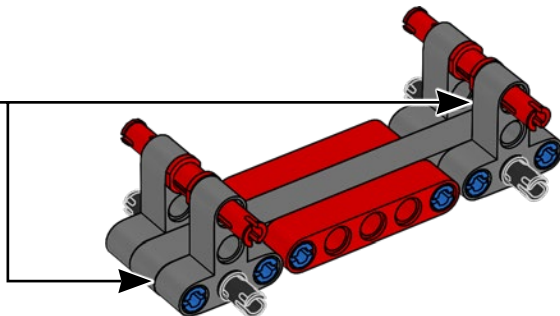
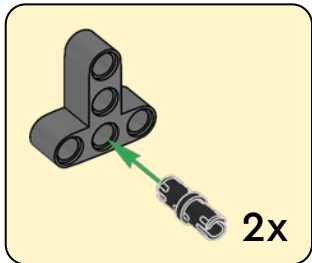




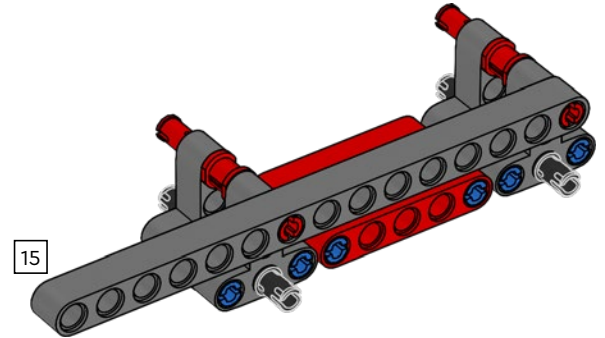
4



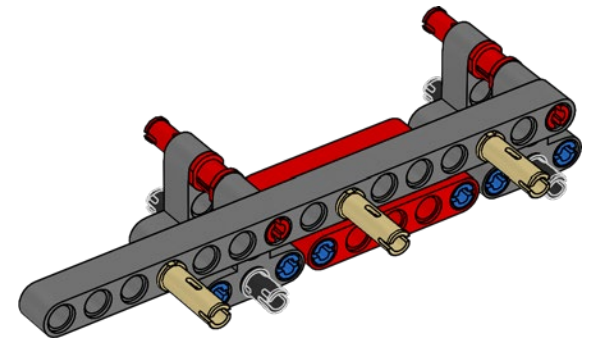
5

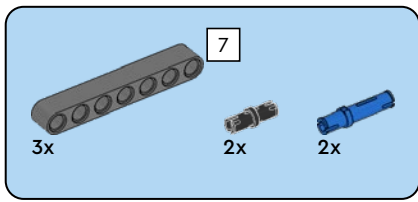


6

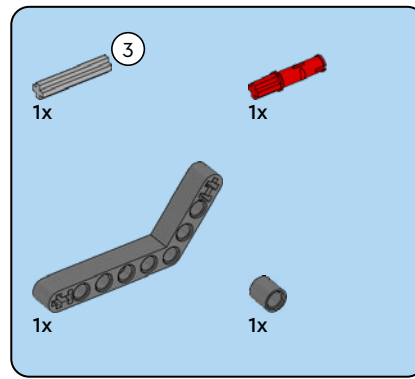
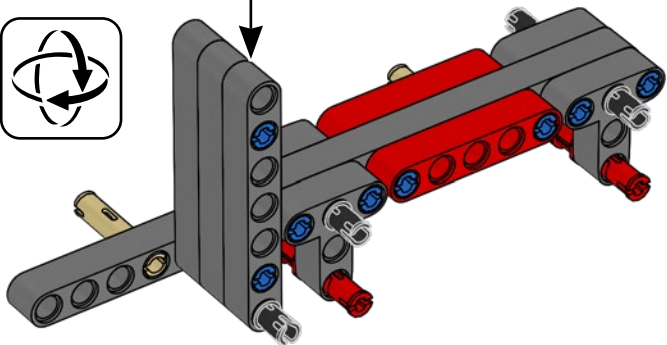
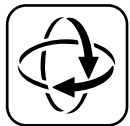
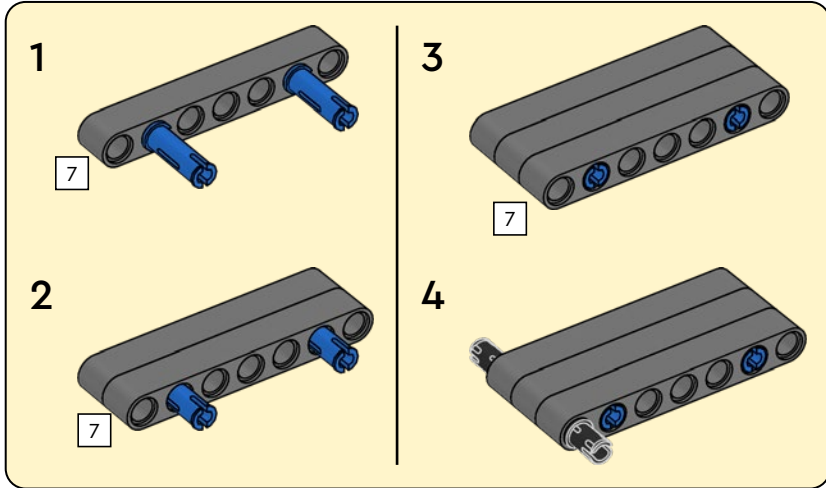


7

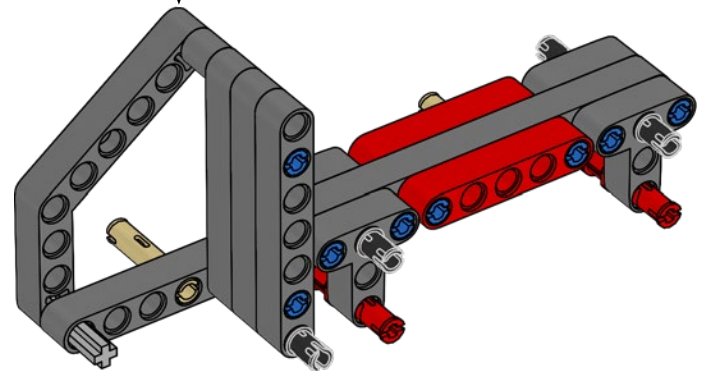
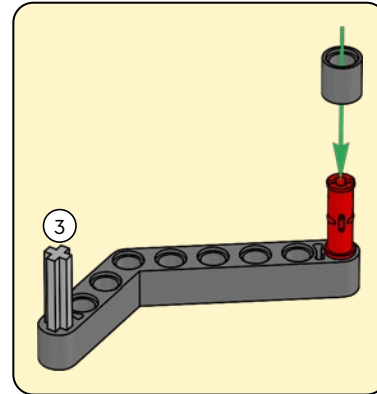




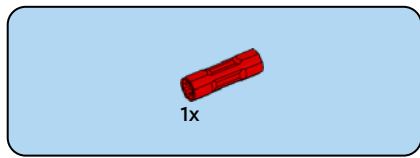
8



9

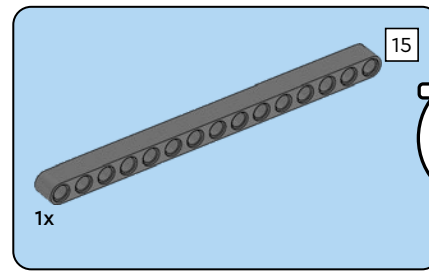
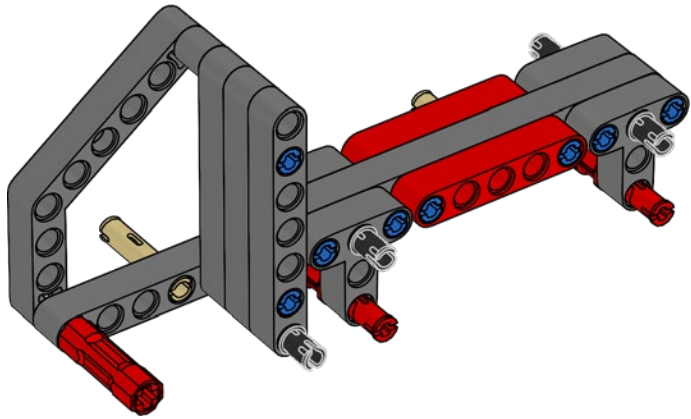


3



1x

10

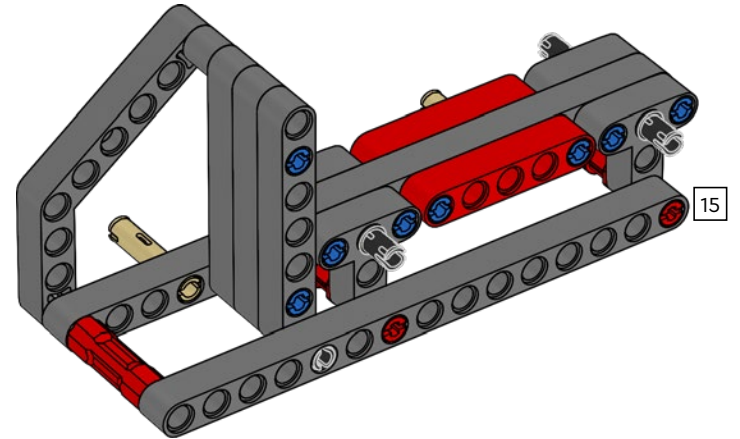


1x

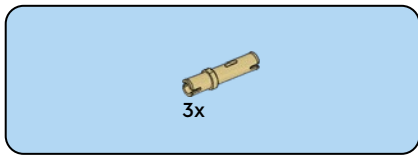
15



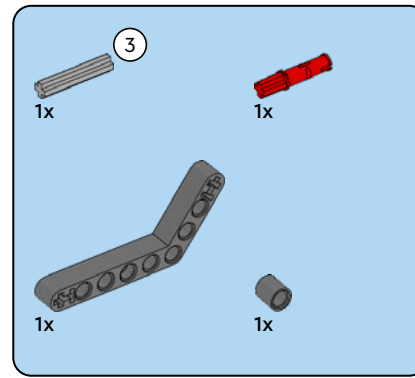
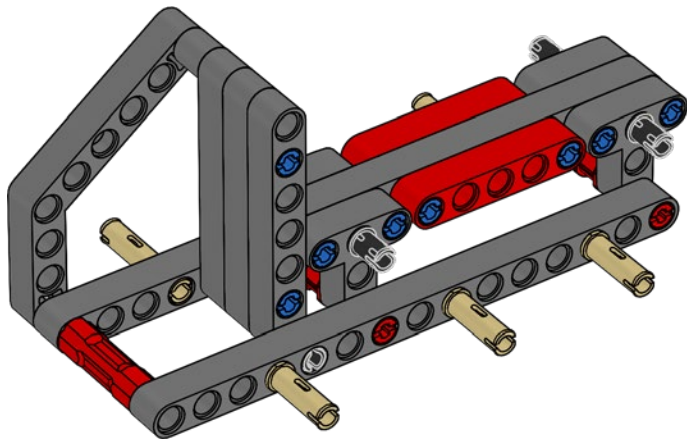
11



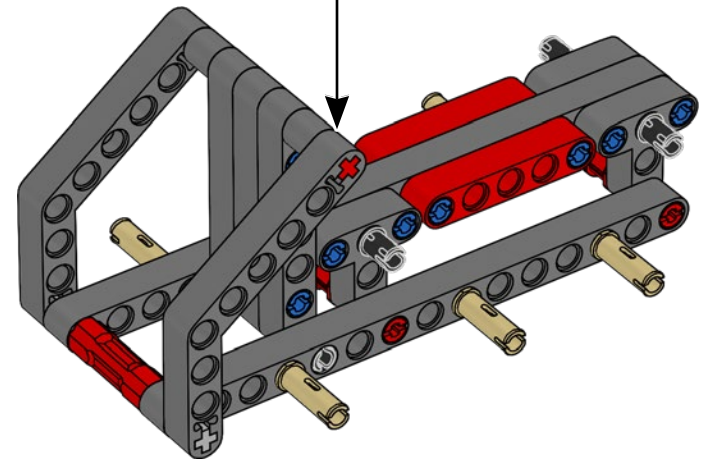
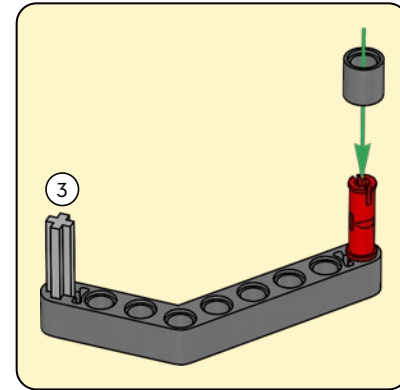
15

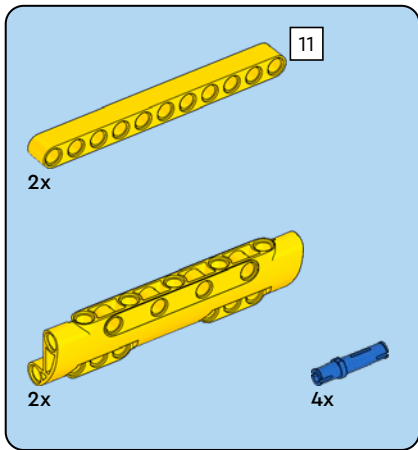


12

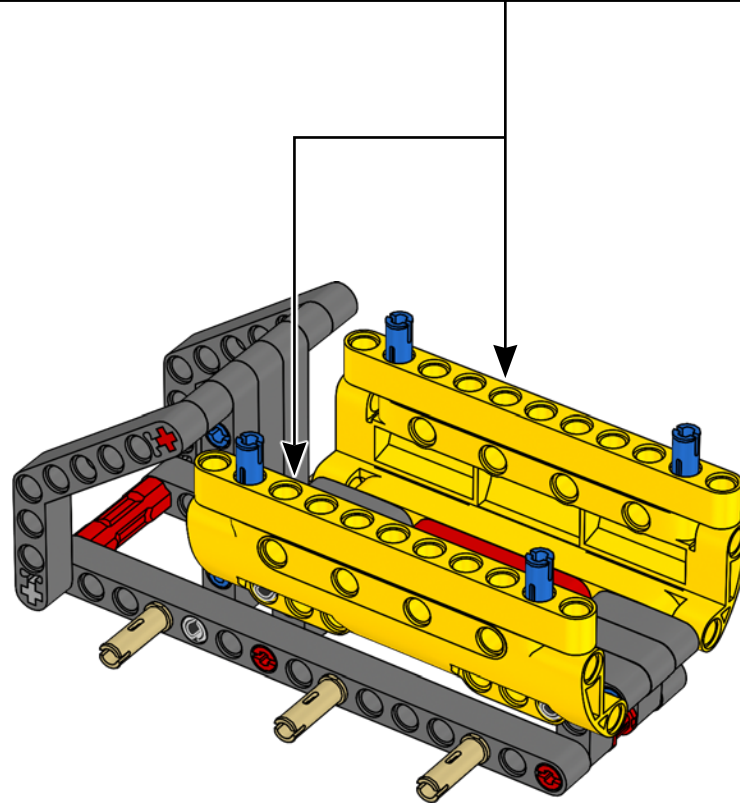
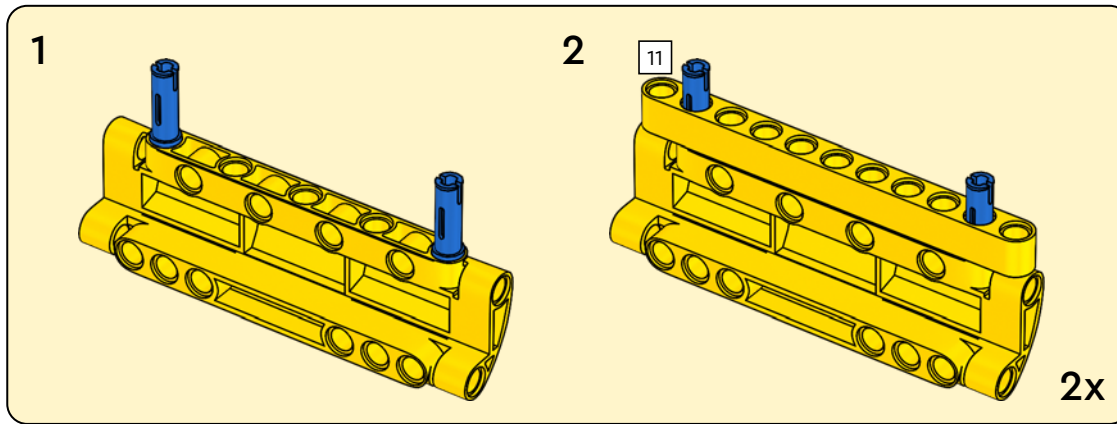


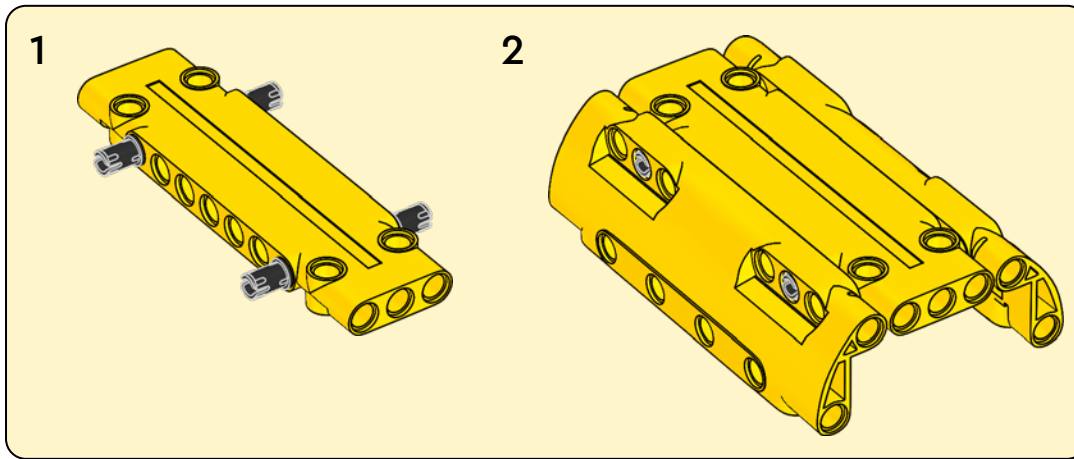
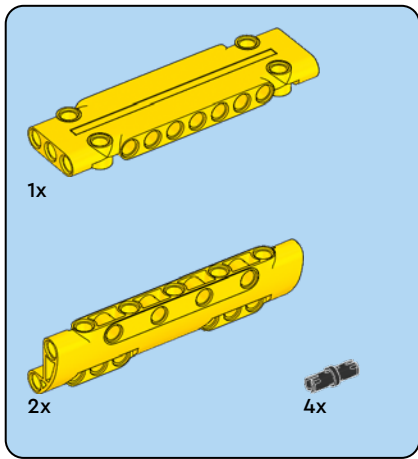
13



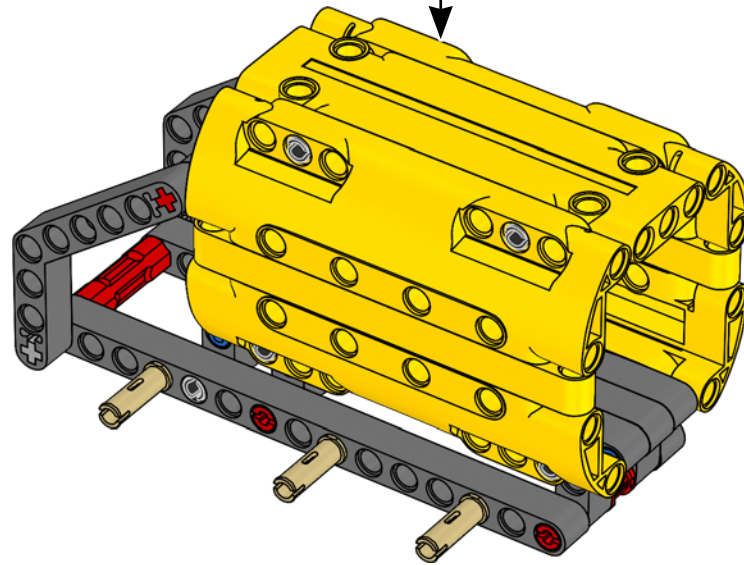


14

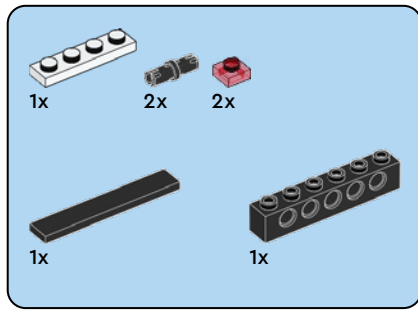




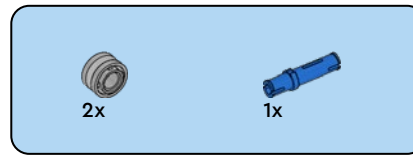
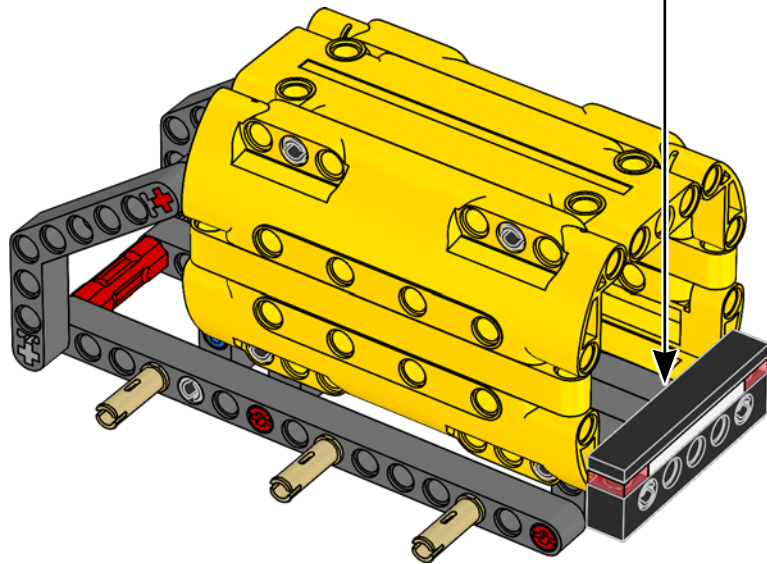
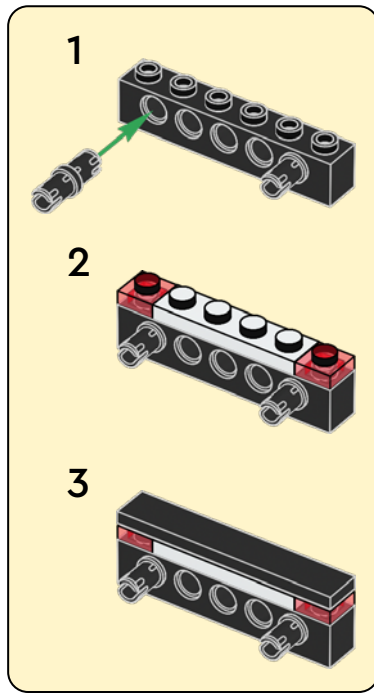
15



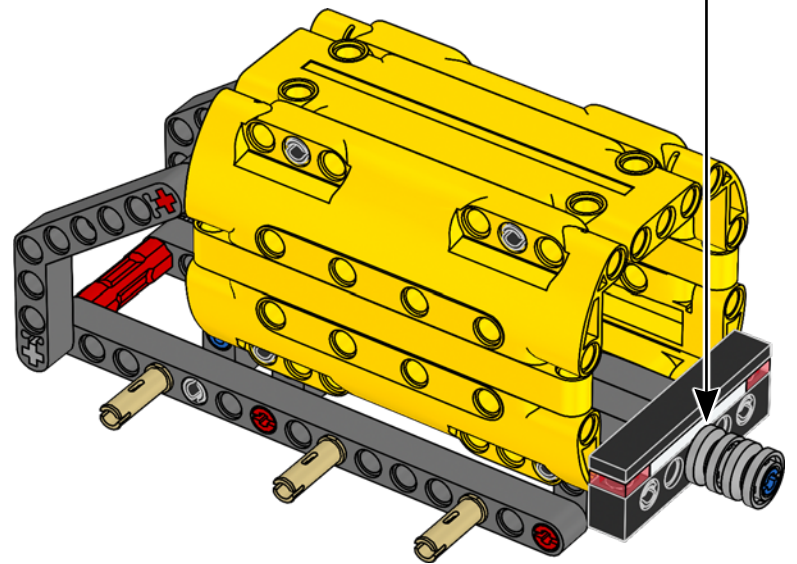
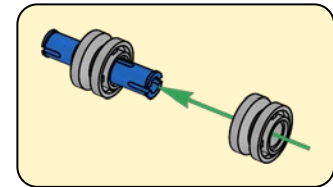


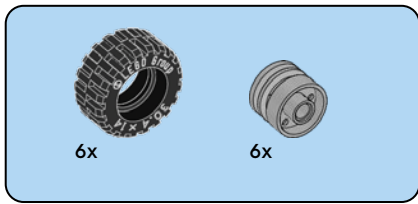


16

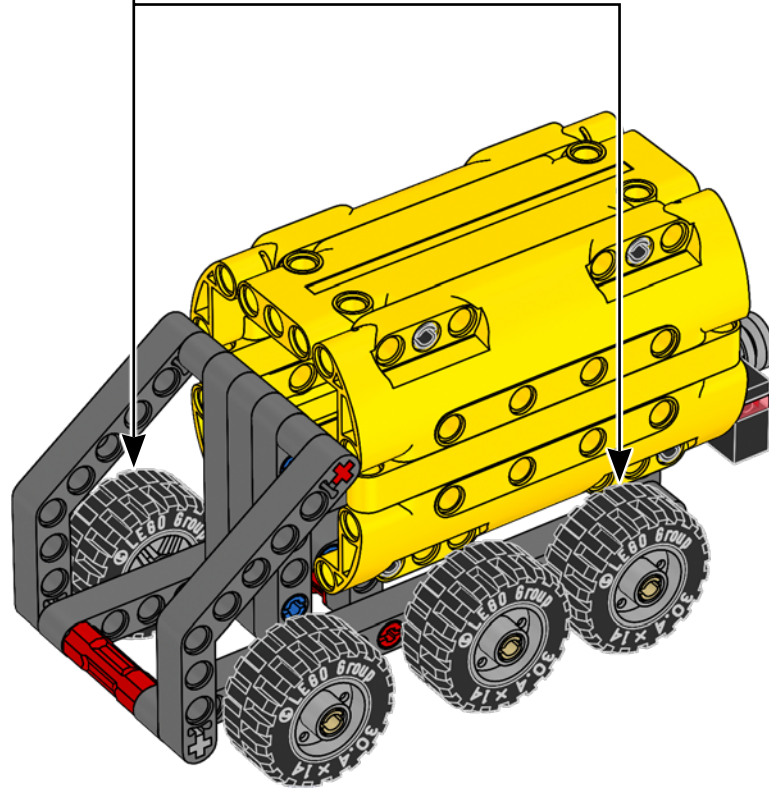
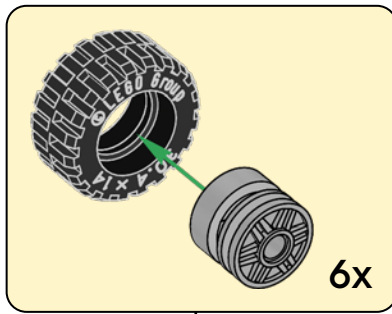


17





18



LEGO and the LEGO logo are trademarks of the/sont des marques de commerce du/son marcas registradas de LEGO Group. ©2022 The LEGO Group.

FIRST™ is a registered trademark of For Inspiration and Recognition of Science and Technology (FIRST). LEGO® is a registered trademark of the LEGO Group. FIRST™ LEGO® League and SUPERPOWERED™ are jointly held trademarks of FIRST and the LEGO Group.

©2022 FIRST and the LEGO Group. All rights reserved.